

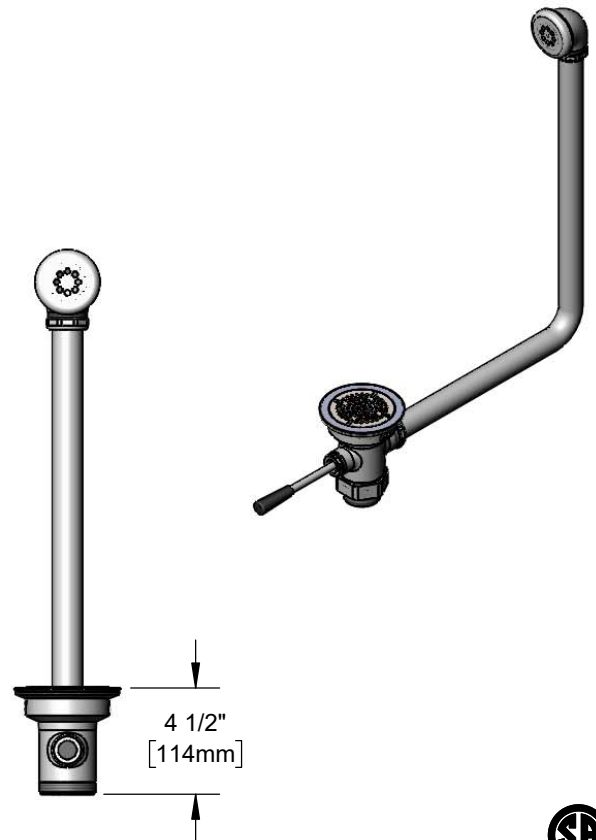
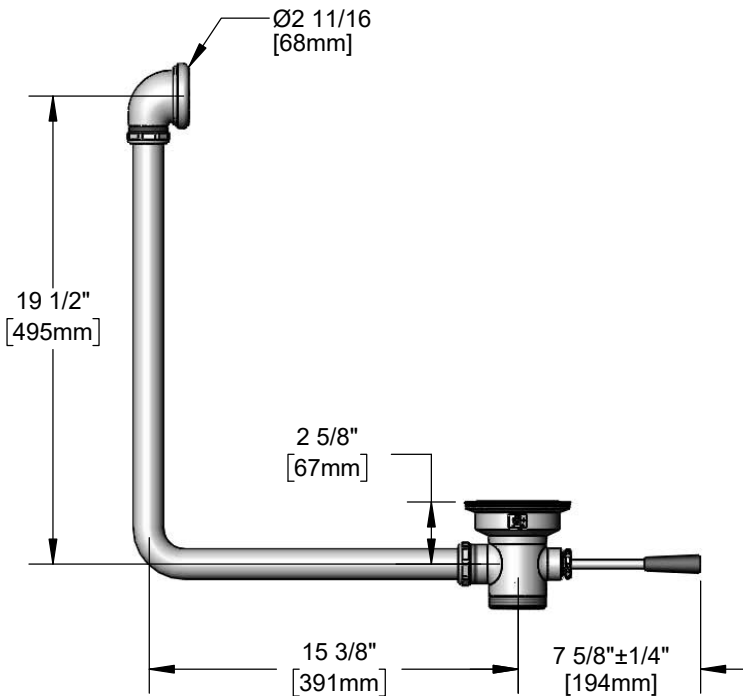


Waste Valves with Lever Handle

Architect/Engineering Specifications:

Lever waste valve for 3 1/2" sink opening with rough chrome plated body, 2" NPT male / 1 1/2" NPT female outlet, short lever handle with heat resistant plastic grip, snap-in removable strainer and overflow tube assembly. Certified to ASME A112.18.2/CSA B125.2

Job Name _____
 Model Specified _____ Quantity _____
 Variations Specified _____
 Date _____



Features & Benefits:

- Lever waste valve for 3 1/2" sink opening w/ rough chrome plated body
- 2" NPT male / 1 1/2" NPT female outlet
- Short lever handle w/ heat resistant plastic grip
- Snap-in removable strainer
- Overflow tube assembly outlet w/ head and elbow tube
- Material: Chrome plated brass body, adapter, overflow tube & overflow head and stainless steel handle & flat strainer

Product Compliance:

- ASME A112.18.2 / CSA B125.2

Warranty: One Year (Limited)

Performance Data:

- Discharge Rate: 18.00 GPM [68.14 L/min] max
- Temperature: 40°F - 180°F [4.44°C - 82.2°C]

