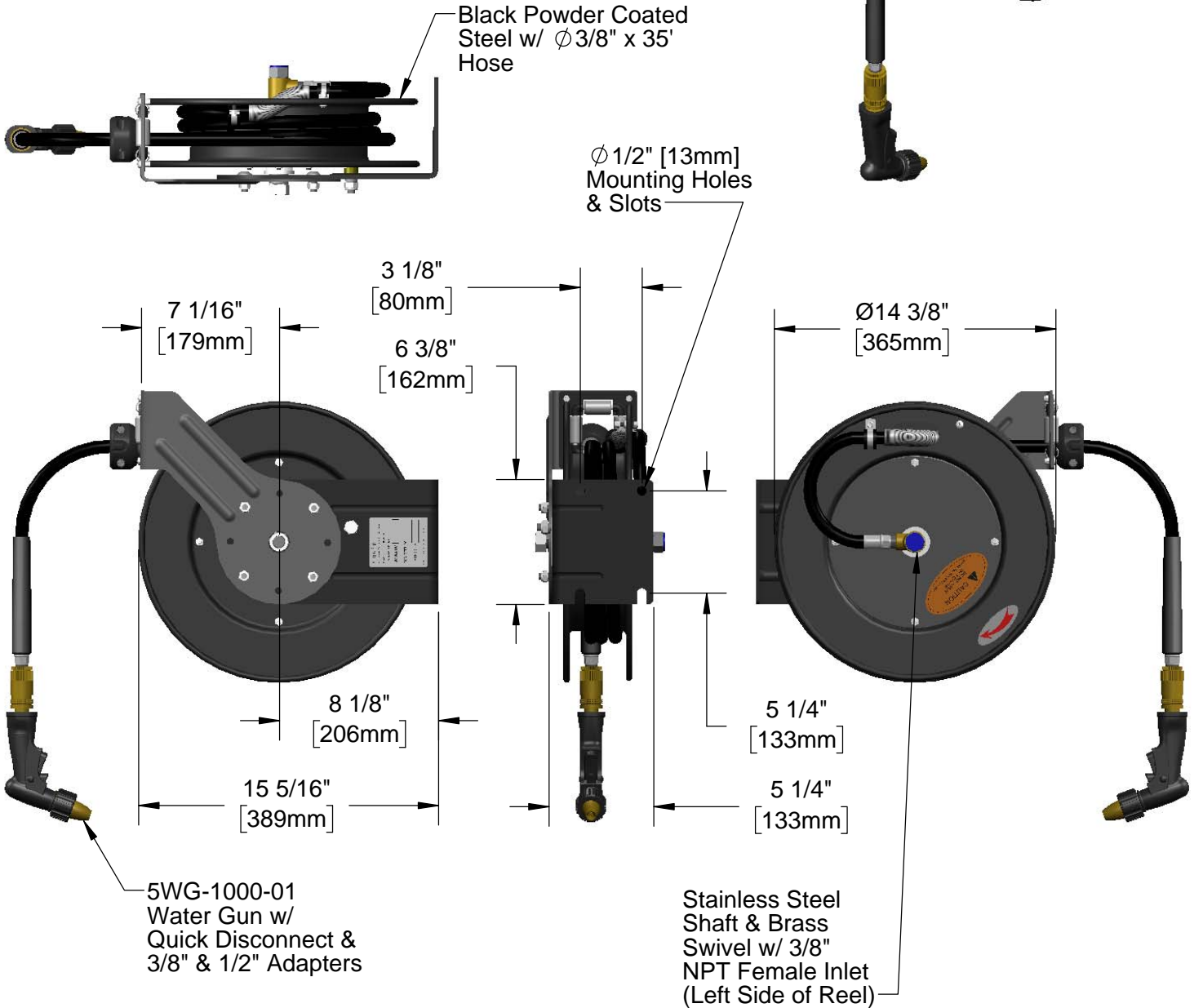
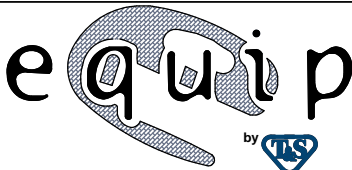


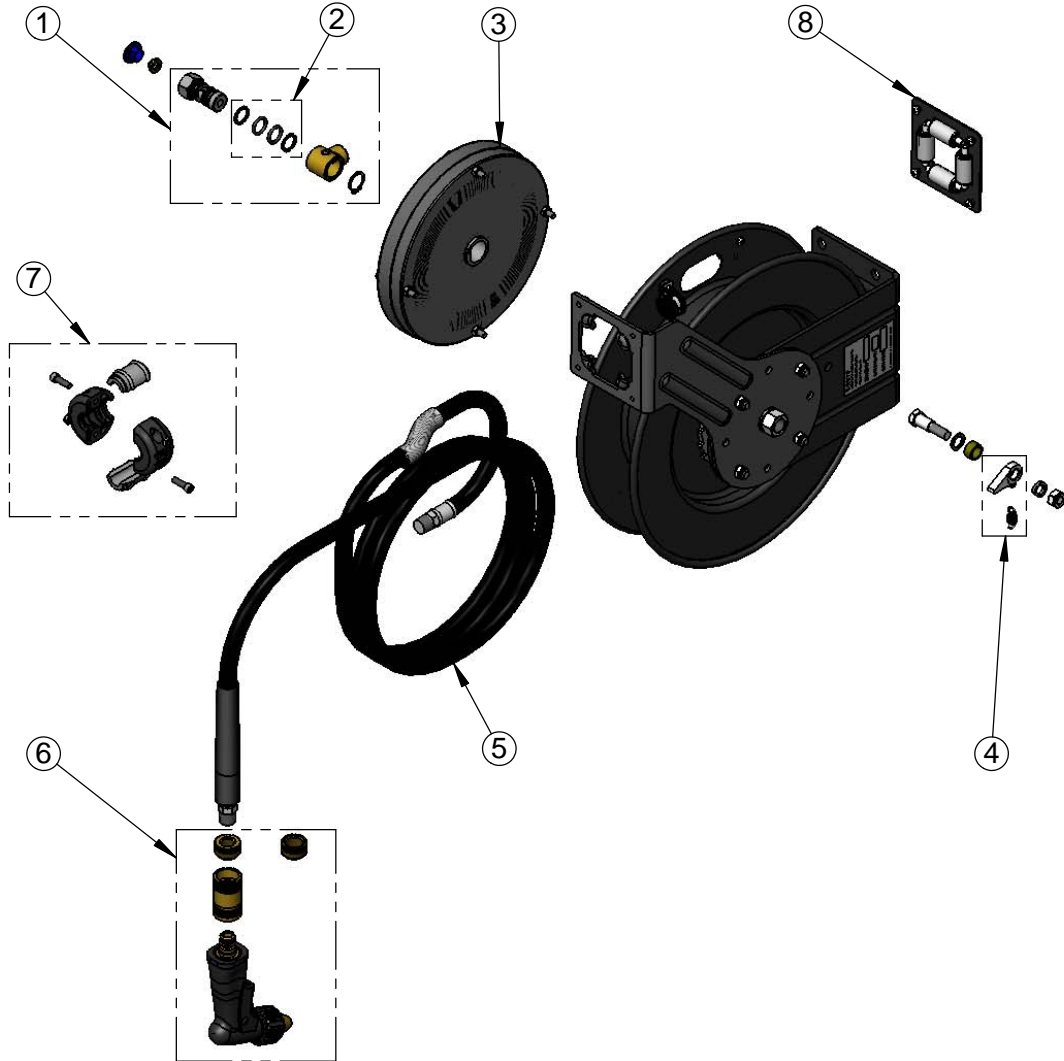
This Space for Architect/Engineer Approval

Job Name _____ Date _____
 Model Specified _____ Quantity _____
 Customer/Wholesaler _____
 Contractor _____
 Architect/Engineer _____



Model Number <h2 style="text-align: center;">5HR-232-09</h2>	Product Specifications: <h3 style="text-align: center;">Black Powder Coated Steel, Open Hose Reel w/ $\varnothing 3/8"$ x 35' Hose & Water Gun w/ Adapters</h3>
Product Compliance: EPAAct 2005 Non-Compliant (PRSV) NSF 61 Exempt (Non-Potable)	<div style="display: flex; justify-content: space-between; align-items: center;"> <div data-bbox="600 1900 738 1984"> equip Foodservice Accessories </div> <div data-bbox="747 1858 1096 2026" style="text-align: center;">  </div> <div data-bbox="1104 1890 1550 2005"> 2 Saddleback Cove, P.O. Box 1088 Travelers Rest, South Carolina 29690 Phone: 800.891.4808 Fax: 800.868.0084 equip.tsbrass.com </div> </div>

ITEM NO.	SALES NO.	DESCRIPTION
1	5HR-2SA	Complete 3/8" Swivel
2	014948-45	Seal Kit
3	G016682-45	Spring
4	014940-45	Ratchet Repair Kit
5	5HR-2HSE-35	Ø 3/8" x 35' Hose
6	5WG-1000-01	equip Water Gun w/ QD and 1/2" & 3/8" Adapter
7	019246-45	Hose Stop Repair Kit
8	G016631-45	Roller Kit



Model Number

5HR-232-09

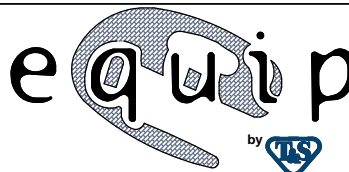
Product Specifications:

**Black Powder Coated Steel, Open Hose Reel
w/ Ø3/8" x 35' Hose & Water Gun w/ Adapters**

Product Compliance:

EPAAct 2005 Non-Compliant (PRSV)
NSF 61 Exempt (Non-Potable)

equip
Foodservice
Accessories



2 Saddleback Cove, P.O. Box 1088
Travelers Rest, South Carolina 29690
Phone: 800.891.4808 Fax: 800.868.0084
equip.tsbrass.com