



Epoxy Coated Retractable Hose Reels

B-7245-06

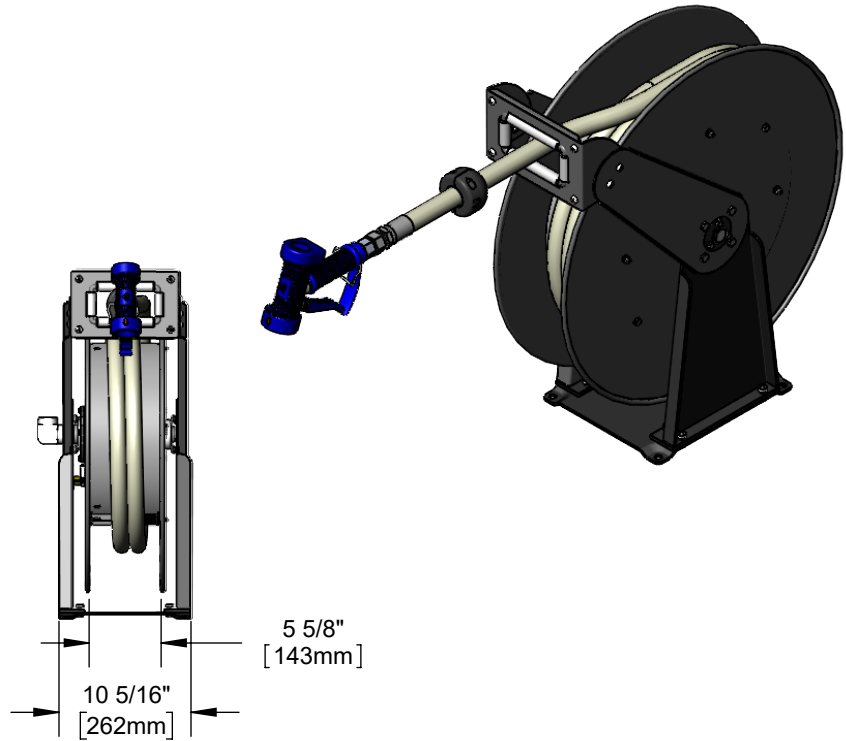
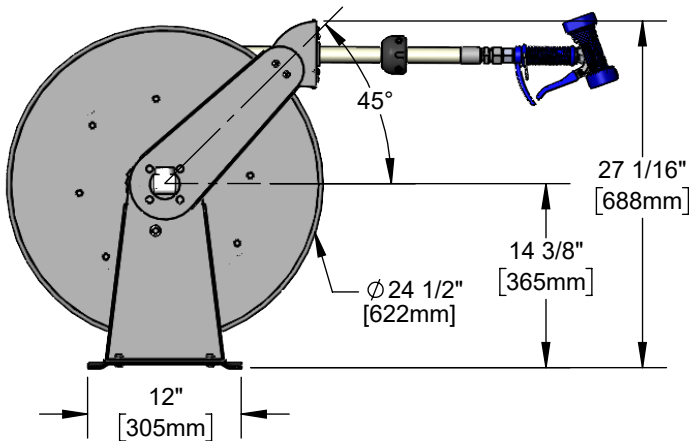
TAG:

Heavy Duty Hose Reel

Architect/Engineering Specifications:

Open coated heavy duty hose reel, front trigger water gun, 3/4" x 50' industrial grade white hose, ratcheting system, adjustable hose bumper and 3/4" NPT female inlet.

Job Name _____
 Model Specified _____ Quantity _____
 Variations Specified _____
 Date _____



Features & Benefits:

- Open coated heavy duty hose reel
- Stainless steel front trigger water gun with rubber cover and 7/16" orifice
- 3/4" x 50' industrial grade white hose rated to 300 PSI
- Ratcheting system holds the length of hose until a slight tug to retract automatically
- 3/4" NPT female inlet
- Adjustable hose bumper
- Material: Epoxy coated steel open reel & wall bracket and stainless steel water gun

Product Compliance:

- NSF 61 Exempt (Non-Potable)
- 2019 DOE PRSV Non-Compliant

Warranty: Two Year (Limited)

- Hose: One Year (Limited)

Performance Data:

- Pressure: 20 - 125 psi [1.38 - 8.62 bar]
- Temperature: 40°F - 200°F [4.44°C - 93.33°C]
- Flow Rate: 10.90 GPM [41.26 L/min] @ 60 psi [4.14 bar]

Optional Hose Reel Spray Valves

- B-0107 Spray Valve
- B-0108 Ergonomic Medium Flow Spray Valve
- B-0108-H Ergonomic High Flow Spray Valve
- EB-0107 High Flow Spray Valve
- EB-2322 Extended Spray Wand
- MV-2516-24 Stainless Steel Rear Trigger Water Gun
- MV-2522-24 Stainless Steel Front Trigger Water Gun
- MV-3516-24 Aluminum Rear Trigger Water Gun



T&S BRASS AND BRONZE WORKS, INC.



• 2 Saddleback Cove • Travelers Rest, SC 29690
 Ph 800-476-4103 • Fax 864-834-3518
 • Simi Valley, CA • Ph 800-423-0150 • www.tsbrass.com

Date: 01/09/24