



Architect/Engineering Specifications:

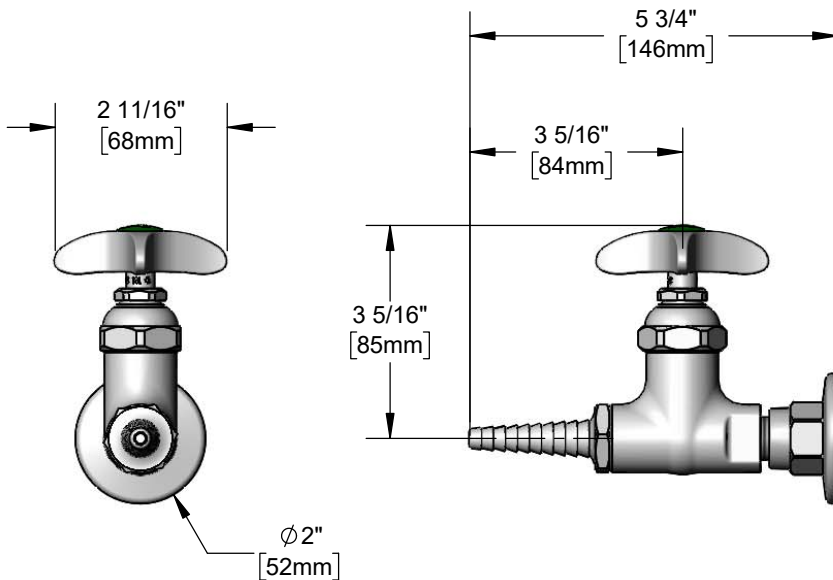
Panel flange straight stop with polished chrome plated brass body, compression cartridge, serrated tip outlet, 4- arm handle and 3/8" NPT female inlet. Certified to ASME A112.18.1/CSA B125.1, NSF 61-Section9 and NSF 372. Meets ADA ANSI/ICC A117.1 requirements.

Job Name _____

Model Specified _____ Quantity _____

Variations Specified _____

Date _____



Features & Benefits:

- Panel flange straight stop w/ polished chrome plated brass body & handle
- Eterna compression cartridge
- Serrated tip outlet, fits 1/4" to 3/8" I.D. hoses
- 4-arm handle w/ color coded index
- 3/8" NPT female inlet
- Material: Polished chrome plated brass body & handle

Product Compliance:

- ASME A112.18.1 / CSA B125.1
- NSF 61 - Section 9
- NSF 372 (Low Lead Content)
- ANSI A117.1 (ADA)

Warranty: One Year (Limited)

Performance Data:

- Pressure: 20 - 125 psi [1.38 - 8.62 bar]
- Temperature: 40 °F - 140 °F [4.44 °C - 60 °C]
- Flow Rate: 4.12 GPM [15.6 L/min] @ 60 psi [4.14 bar]



ADA Compliant

