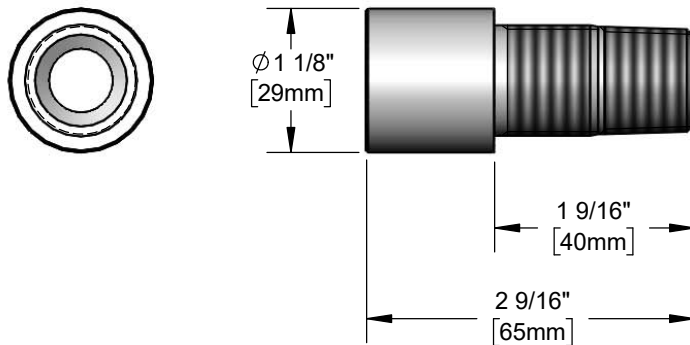
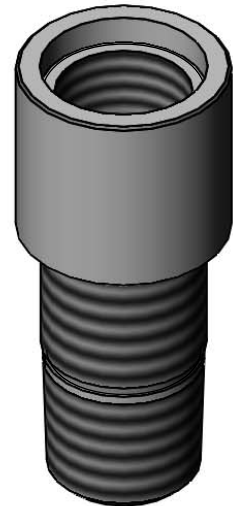




Architect/Engineering Specifications:

Chrome plated extension nipple with 1/2" NPT male, 7/8-18 UN male and 1/2" NPSM female outlet. Certified to NSF 61-Section 9 and NSF 372.

Job Name _____
 Model Specified _____ Quantity _____
 Variations Specified _____
 Date _____



Features & Benefits:

- Extension nipple
- 1/2" NPT male thread
- 7/8-18 UN male thread
- 1/2" NPSM female outlet
- Material: Chrome plated brass

Product Compliance:

- NSF 61 - Section 9
- NSF 372 (Low Lead Content)



Warranty: One Year (Limited)

Performance Data:

- N/A

