



Architect/Engineering Specifications:

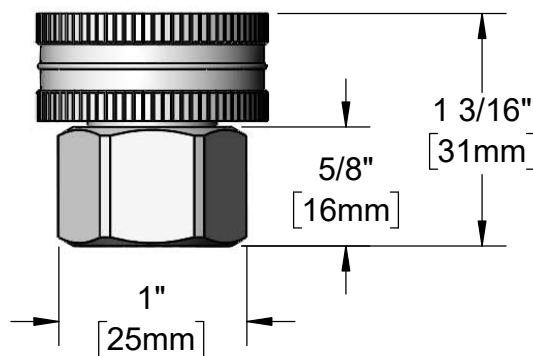
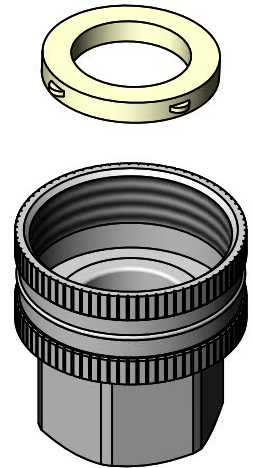
Chrome plated garden hose adapter with 1/2" NPT female inlet & 3/4-14 GH female Outlet. Certified to NSF 61-Section 9 and NSF 372.

Job Name _____

Model Specified _____ Quantity _____

Variations Specified _____

Date _____



Features & Benefits:

- Chrome plated garden hose adapter
- 1/2" NPT female inlet
- 3/4-11 1/2 GH female outlet
- Washer included
- Material: Polished chrome plated brass

Product Compliance:

- NSF 61 - Section 9
- NSF 372 (Low Lead Content)



Warranty: One Year (Limited)



Performance Data:

- N/A

