



Pre-Rinse Accessories
B-0109-01VR

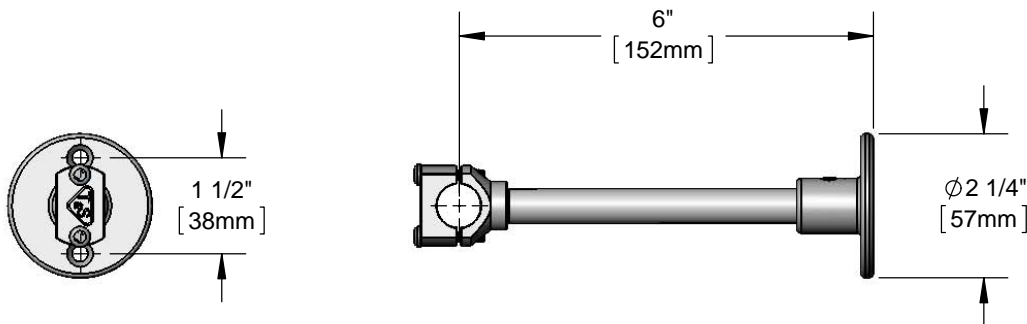
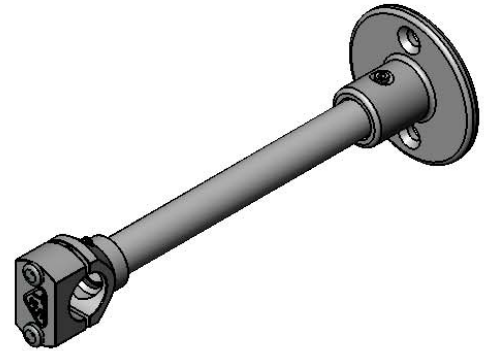
TAG:

Wall Bracket

Architect/Engineering Specifications:

Polished chrome plated brass 6" wall bracket with chrome plated vandal resistant mounting hardware.

Job Name _____
 Model Specified _____ Quantity _____
 Variations Specified _____
 Date _____



Features & Benefits:

- Polished chrome plated brass 6" wall bracket
- $\varnothing 2 \frac{1}{4}$ " wall flange
- Fits 3/8" pipe
- Vandal resistant mounting hardware and # 8 spanner bit (included)
- Material: Polished chrome plated brass body and chrome plated brass screws

Product Compliance:

- N/A

Warranty: One Year (Limited)

Performance Data:

- N/A



T&S BRASS AND BRONZE WORKS, INC.



• 2 Saddleback Cove • Travelers Rest, SC 29690
 Ph 800-476-4103 • Fax 864-834-3518
 • Simi Valley, CA • Ph 800-423-0150 • www.tsbrass.com

Date: 05/07/16