



T&S BRASS AND BRONZE WORKS, INC.

2 Saddleback Cove / P.O. Box 1088
Travelers Rest, SC 29690

Model No.

BP-2704-MB

Item No.

Travelers Rest, SC: 800-476-4103 • Simi Valley, CA: 800-423-0150 • Fax: 864-834-3518 • www.tsbrass.com

LAKECREST™

BY T&S



ADA Compliant

This Space for Architect/Engineer Approval

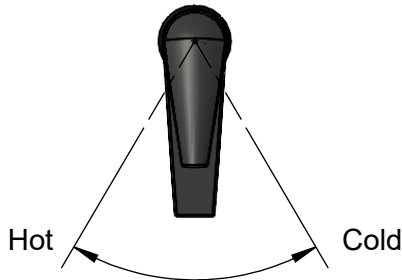
Job Name _____ Date _____

Model Specified _____ Quantity _____

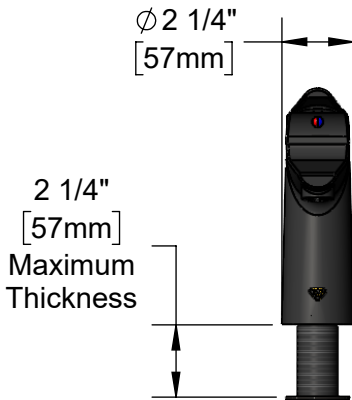
Customer/Wholesaler _____

Contractor _____

Architect/Engineer _____



B-0199-M21-V05
VR 0.5 GPM
Concealed Non-
Aerated Spray
Device



Mounting
Surface

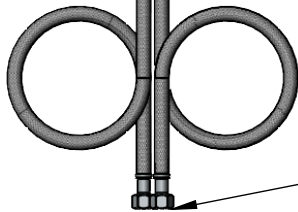
7 3/8" [188mm]
"OFF"

3 7/8" [99mm]

6°

8 15/16" [227mm]
Full
"ON"

4 1/8" [105mm]



(2) 19" Flexible
Stainless Steel
Hoses w/ 3/8"
Compression
Fittings

Rough-in Requirement:

Ø 1 1/2" [38 mm] Mounting Hole

Product Specifications:

LakeCrest Matte Black Single Hole Deck Mount Single Lever Faucet, Ceramic Cartridge, 0.5 GPM Concealed Vandal Resistant Non-Aerated Spray Device & 19" Flexible Stainless Steel Braided Supply Hoses

Product Compliance:

ASME A112.18.1 / CSA B125.1
NSF 61 - Section 9
NSF 372 (Low Lead Content)
ANSI A117.1 (ADA)



T&S BRASS AND BRONZE WORKS, INC.

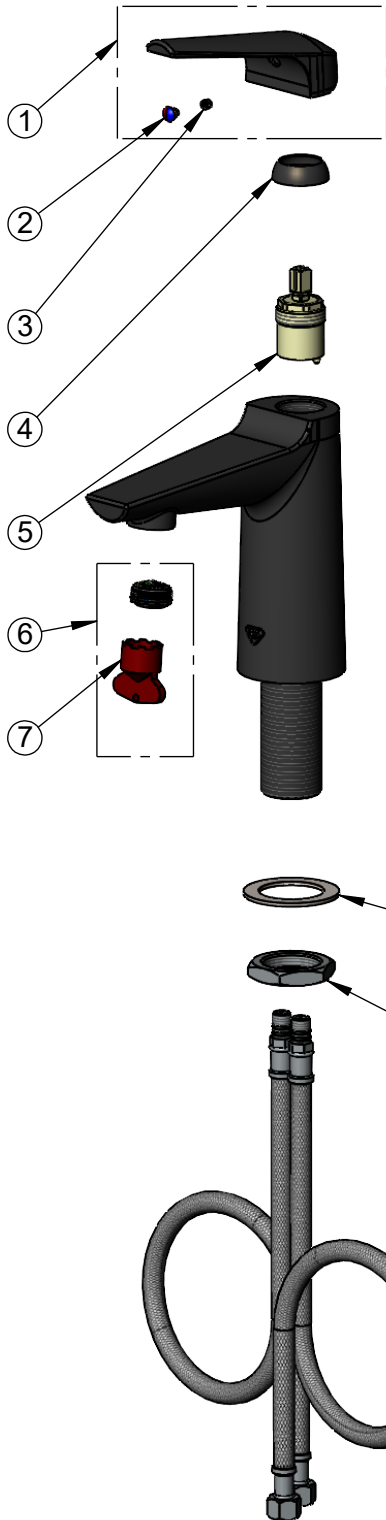
2 Saddleback Cove / P.O. Box 1088
Travelers Rest, SC 29690

Model No.

BP-2704-MB

Item No.

Travelers Rest, SC: 800-476-4103 • Simi Valley, CA: 800-423-0150 • Fax: 864-834-3518 • www.tsbrass.com



| ITEM NO. | SALES NO. | DESCRIPTION |
|----------|----------------|---|
| 1 | 020515-70 | Single Lever Handle (Matte Black) |
| 2 | 014173-45 | Index, Temperature |
| 3 | 021098-45 | 18-8 Stainless Steel Cone-Point Set Screw |
| 4 | 020516-70 | Trim Ring (Matte Black) |
| 5 | 020518-45 | Ceramic Cartridge |
| 6 | B-0199-M21-V05 | 0.5 GPM Concealed Spray Device, M21.5 x 1 |
| 7 | 020674-45 | M21.5 x 1 Red Cache Key |
| 8 | S020656-20 | Washer, Stainless Steel |
| 9 | S020655-20 | Lock Nut |
| 10 | 019969-45 | 19" Flexible Supply Hose |

Product Specifications:

LakeCrest Matte Black Single Hole Deck Mount Single Lever Faucet, Ceramic Cartridge, 0.5 GPM Concealed Vandal Resistant Non-Aerated Spray Device & 19" Flexible Stainless Steel Braided Supply Hoses

Product Compliance:

ASME A112.18.1 / CSA B125.1
NSF 61 - Section 9
NSF 372 (Low Lead Content)
ANSI A117.1 (ADA)