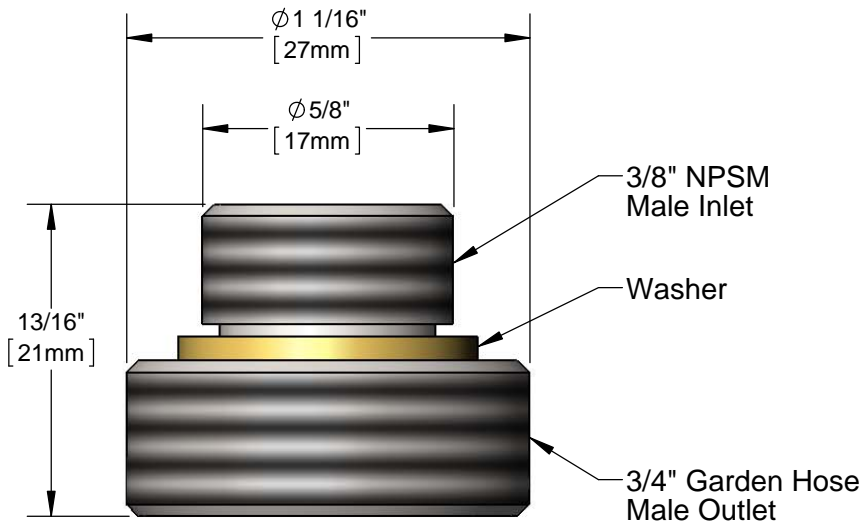
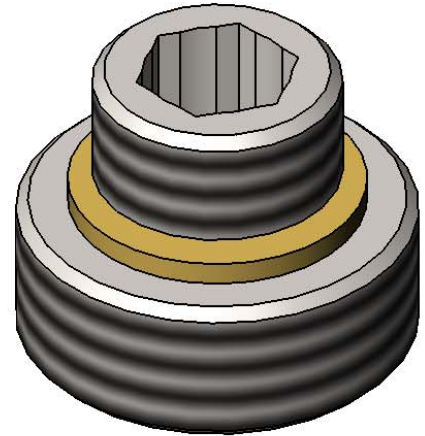




Architect/Engineering Specifications:

3/8" NPSM x 3/4" male garden hose adapter with washer. Certified to ASME A112.18.1/CSA 125.1, NSF 61-Section 9 and NSF 372.

Job Name _____
 Model Specified _____ Quantity _____
 Variations Specified _____
 Date _____



Features & Benefits:

- 3/8" NPSM x 3/4" male garden hose thread adapter
- Washer included
- Material: Rough chrome

Product Compliance:

- ASME A112.18.1 / CSA B125.1
- NSF 61 - Section 9
- NSF 372 (Low Lead Content)



Warranty: One Year (Limited)

Performance Data:

- N/A

