



**T&S BRASS AND BRONZE WORKS, INC.**  
 2 Saddleback Cove / P.O. Box 1088  
 Travelers Rest, SC 29690

Model No.  
**B-1335**

Item No.

Travelers Rest, SC: 800-476-4103 • Simi Valley, CA: 800-423-0150 • Fax: 864-834-3518 • www.tsbrass.com

This Space for Architect/Engineer Approval

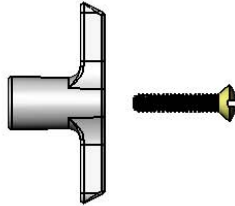
Job Name \_\_\_\_\_ Date \_\_\_\_\_

Model Specified \_\_\_\_\_ Quantity \_\_\_\_\_

Customer/Wholesaler \_\_\_\_\_

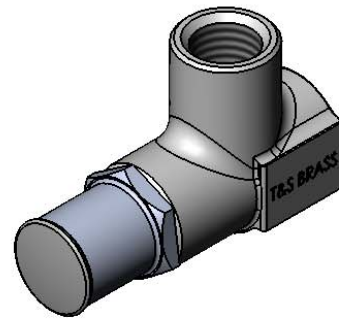
Contractor \_\_\_\_\_

Architect/Engineer \_\_\_\_\_

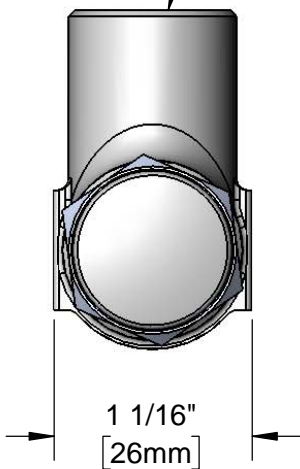


T-Handle Kit w/ Mounting Screw  
for Supply Stop

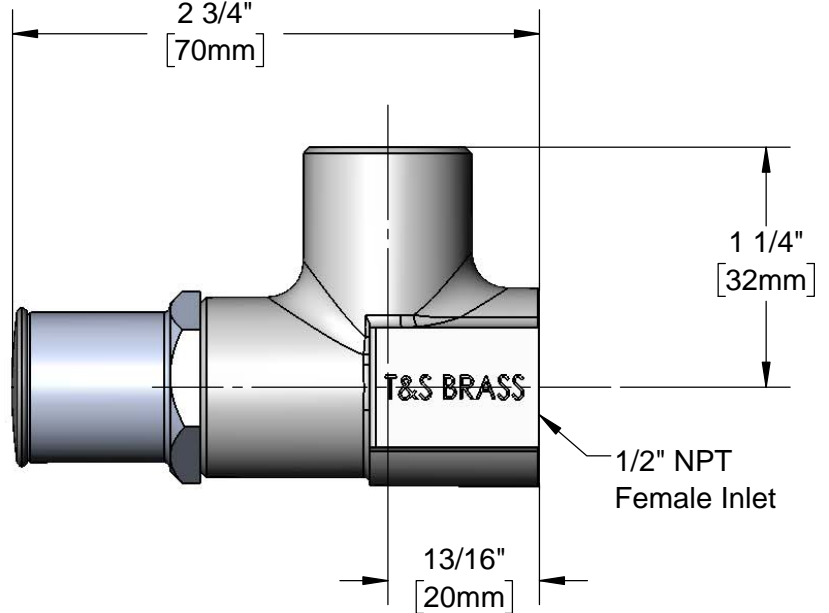
Loose Key  
Style Shut-Off  
Valve



3/8" NPT  
Female Outlet



2 3/4"  
[70mm]



Product Specifications:  
 Loose Key Angle Stop w/ Loose Key Handle, 1/2" NPT Female Inlet and 3/8" NPT Female Outlet

Product Compliance:  
 ASME A112.18.1 / CSA B125.1  
 NSF 61 - Section 9  
 NSF 372 (Low Lead Content)



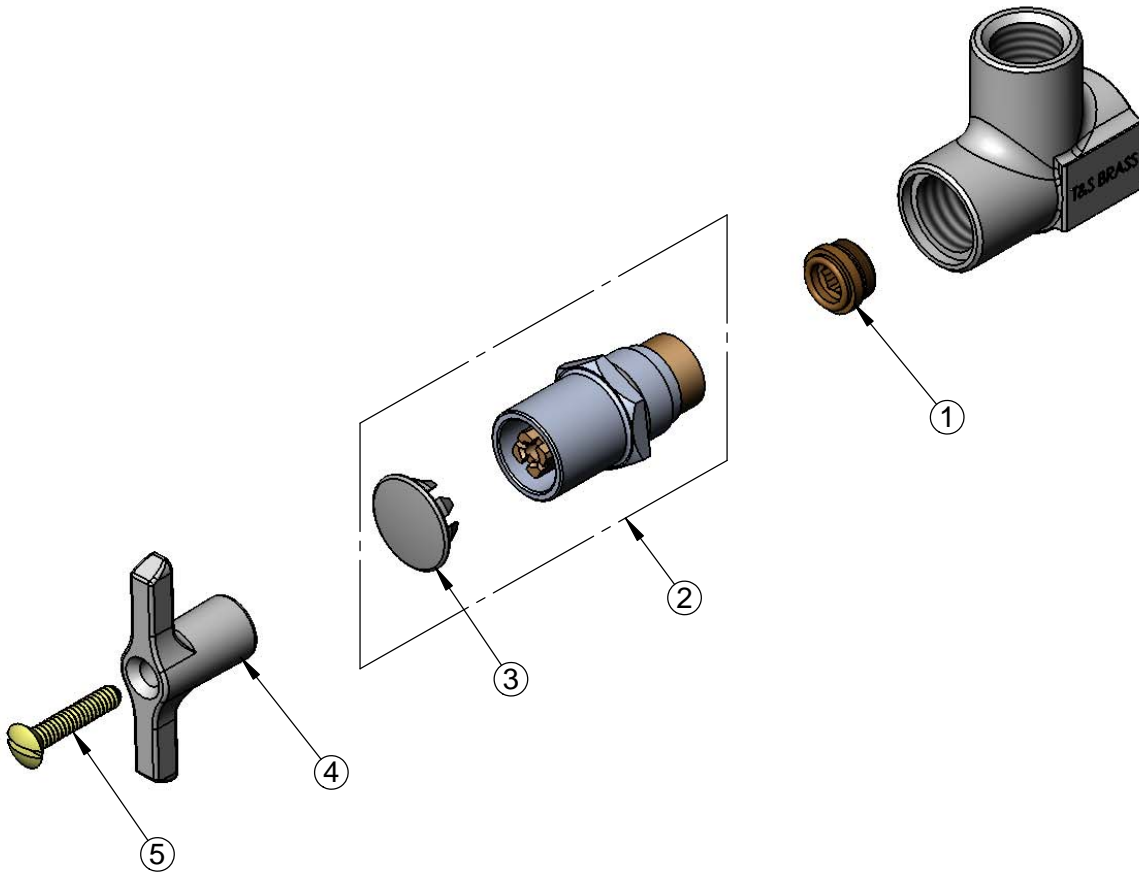
**T&S BRASS AND BRONZE WORKS, INC.**  
2 Saddleback Cove / P.O. Box 1088  
Travelers Rest, SC 29690

Model No.  
**B-1335**

Item No.

Travelers Rest, SC: 800-476-4103 • Simi Valley, CA: 800-423-0150 • Fax: 864-834-3518 • www.tsbrass.com

ITEM NO.	SALES NO.	DESCRIPTION
1	000763-20	Seat
2	002892-40	Spindle Asm w/ Cap
3	001605-45	Cap
4	001802-45	Handle, Supply Stop "T"
5	002432-45	Screw, Tee Handle



Product Specifications:  
Loose Key Angle Stop w/ Loose Key Handle, 1/2" NPT Female Inlet and 3/8" NPT Female Outlet

Product Compliance:  
ASME A112.18.1 / CSA B125.1  
NSF 61 - Section 9  
NSF 372 (Low Lead Content)