



**ADA Compliant**

*This Space for Architect/Engineer Approval*

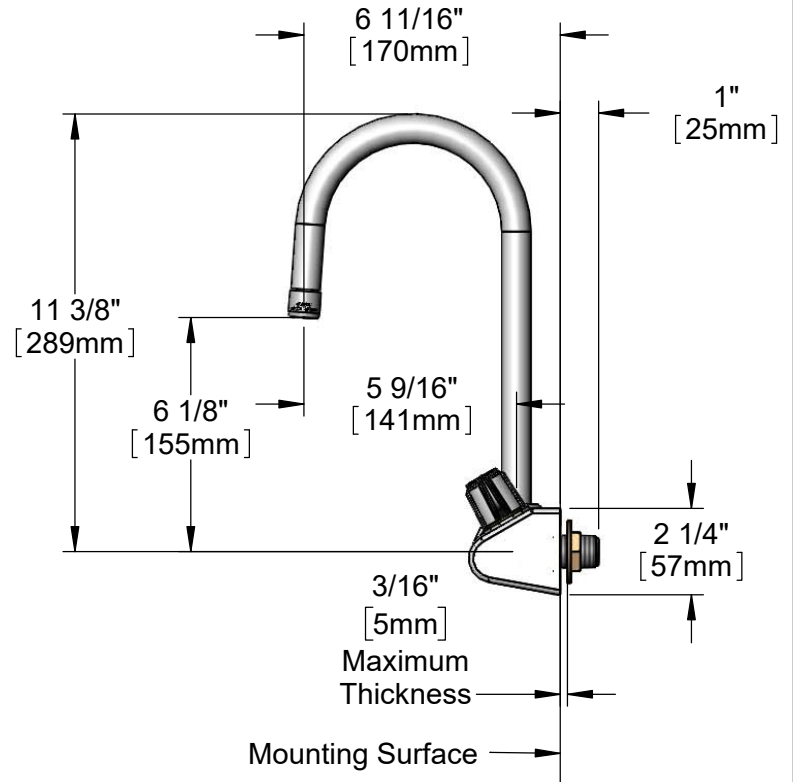
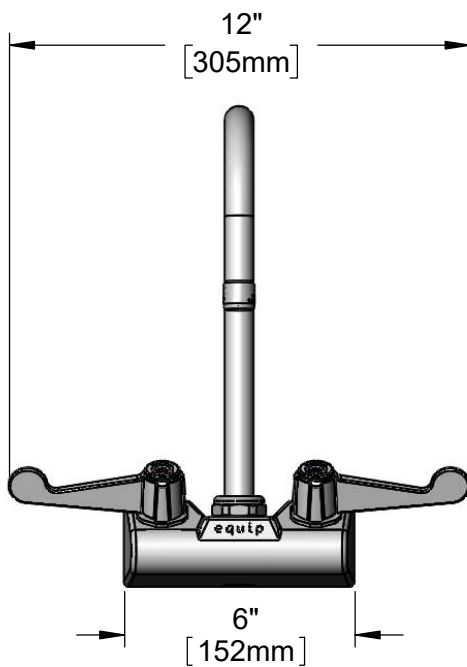
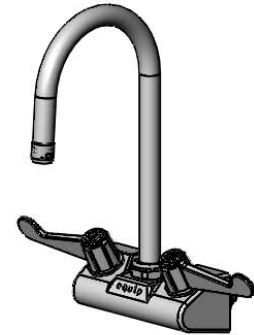
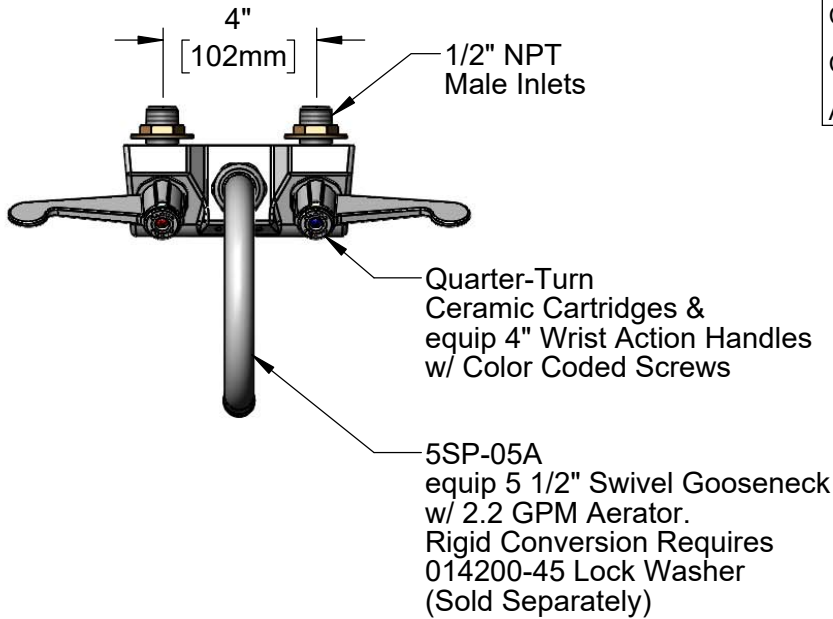
Job Name \_\_\_\_\_ Date \_\_\_\_\_

Model Specified \_\_\_\_\_ Quantity \_\_\_\_\_

Customer/Wholesaler \_\_\_\_\_

Contractor \_\_\_\_\_

Architect/Engineer \_\_\_\_\_



**Rough-In Requirement:**  
(2)  $\phi$  1" [25mm] Mounting Holes

Model Number  
**5F-4WWX05**

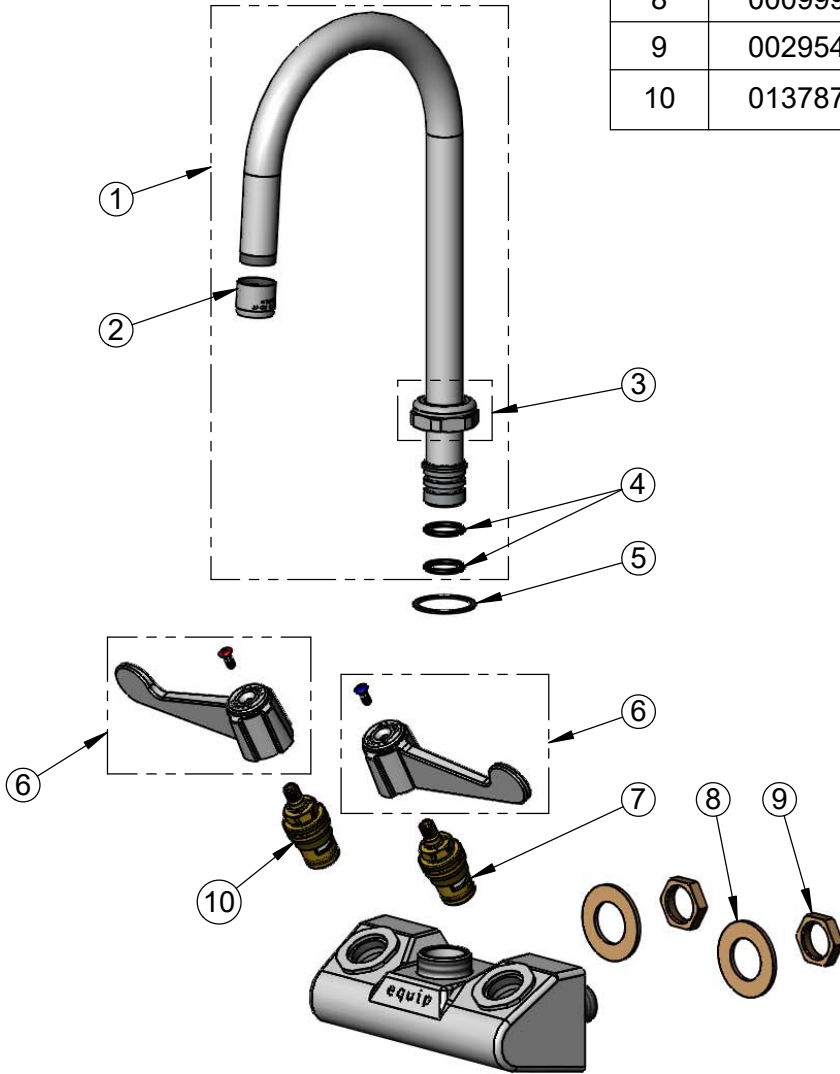
Product Specifications:  
**4" Wall Mount Mixing Faucet w/ Quarter-Turn Ceramic Cartridges, equip 4" Wrist Action Handles, 5 1/2" Swivel Gooseneck w/ 2.2 GPM Aerator & 1/2" NPT Male Inlets**

Product Compliance:  
ASME A112.18.1 / CSA B125.1  
NSF 61 - Section 9  
NSF 372 (Low Lead Content)  
ANSI A117.1 (ADA)

equip  
Foodservice  
Accessories

2 Saddleback Cove, P.O. Box 1088  
Travelers Rest, South Carolina 29690  
Phone: 800.891.4808 Fax: 800.868.0084  
equip.tsbrass.com

| ITEM NO. | SALES NO. | DESCRIPTION  |
|----------|-----------|--|
| 1        | 5SP-05A   | equip 5 1/2" Swivel Gooseneck w/ 2.2 GPM Aerator   |
| 2        | 013838-45 | Aerator, 3/4-27 Female, 2.2 GPM                    |
| 3        | 013839-25 | equip Swivel Nut                                   |
| 4        | 013848-45 | equip Swivel Piece O-Ring                          |
| 5        | 017587-45 | Swivel Nut Seal                                    |
| 6        | 5-HDL-W   | equip 4" Wrist Action Handle w/ Color Coded Screws |
| 7        | 013788-45 | equip Quarter-Turn Ceramic Cartridge, LTC          |
| 8        | 000999-45 | Brass Lock Washer                                  |
| 9        | 002954-45 | Shank Lock Nut                                     |
| 10       | 013787-45 | equip Quarter-Turn Ceramic Cartridge, RTC          |



Model Number

**5F-4WWX05**

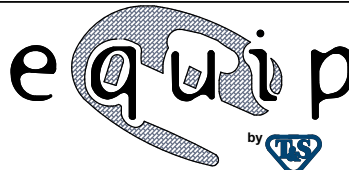
Product Specifications:

4" Wall Mount Mixing Faucet w/ Quarter-Turn Ceramic Cartridges, equip 4" Wrist Action Handles, 5 1/2" Swivel Gooseneck w/ 2.2 GPM Aerator & 1/2" NPT Male Inlets

Product Compliance:

ASME A112.18.1 / CSA B125.1  
NSF 61 - Section 9  
NSF 372 (Low Lead Content)  
ANSI A117.1 (ADA)

equip  
Foodservice  
Accessories



2 Saddleback Cove, P.O. Box 1088  
Travelers Rest, South Carolina 29690  
Phone: 800.891.4808 Fax: 800.868.0084  
equip.tsbrass.com