



RELIABILITY BUILT IN™

Limited One Year Warranty

T&S warrants to the original purchaser (other than for purposes of resale) that such product is free from defects in material and workmanship for a period of one (1) year from the date of purchase. During this one-year warranty period, if the product is found to be defective, T&S shall, at its option, repair and/or replace it. To obtain warranty service, products must be returned to...

*T&S Brass and Bronze Works, Inc.
Attn: Warranty Repair Department
2 Saddleback Cove
Travelers Rest, SC 29690*

Shipping, freight, insurance, and other transportation charges of the product to T&S and the return of repaired or replaced product to the purchaser are the responsibility of the purchaser. Repair and/or replacement shall be made within a reasonable time after receipt by T&S of the returned product. This warranty does not cover items which have received secondary finishing or have been altered or modified after purchase, or for defects caused by physical abuse to or misuse of the product, or shipment of the products.

Any express warranty not provided herein, and any remedy for Breach of Contract which might arise, is hereby excluded and disclaimed. Any implied warranties of merchantability or fitness for a particular purpose are limited to one year in duration. Under no circumstances shall T&S be liable for loss of use or any special consequential costs, expenses or damages.

Some states do not allow limitations on how long and implied warranty lasts or the exclusion or limitation of incidental or consequential damages, so the above limitations or exclusions may not apply to you. Specific rights under this warranty and other rights vary from state to state.

P/N: 098-013123-45 Rev.4
Date: 03-09-11
Drawn: TEH
Checked: DMH 03-11-11
Approved: JHB 03-16-11

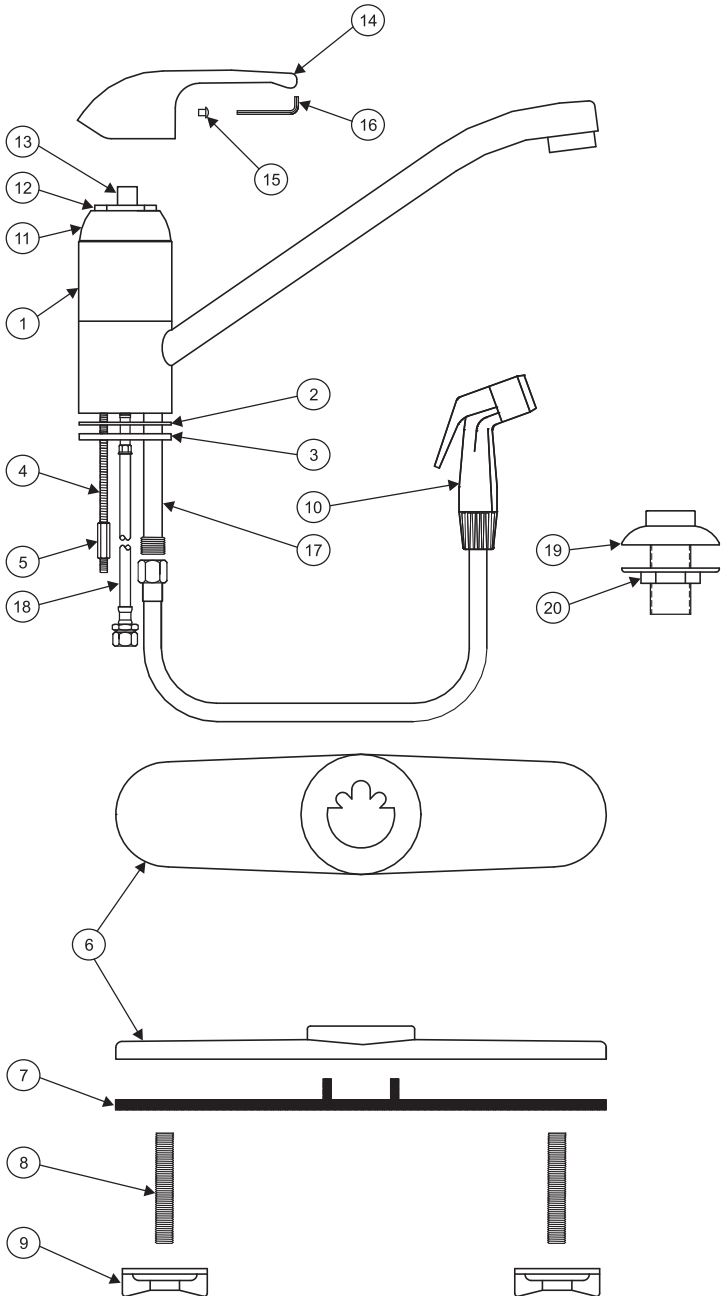
Installation and Maintenance Instructions



B-2730 & B-2731 SERIES SINGLE LEVER FAUCETS (with or without Sidespray)

**Español: la Instalación y las
Instrucciones de
Mantenimiento**

Exploded View



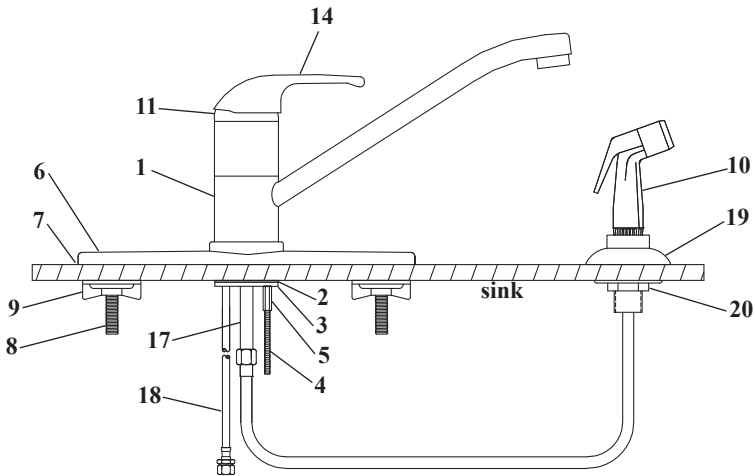
Part Number Guide

	Asm, Single Lever Faucet w/ Sidespray	B-2730
	Asm, Single Lever Faucet	B-2731
1	Body, Faucet	N/A
	Center Mounting Kit	014163-45
2	Spacer, Foam	N/A
3	Washer, Lock	N/A
4	Post, Center Mounting	N/A
5	Locknut, Center Mounting Post	N/A
6	Deckplate	N/A
7	Gasket, Mounting	N/A
	Plastic	014160-45
	Zinc	014161-45
	Kit, Side Mounting Post & Locknut	014162-45
8	Post	N/A
9	Locknut	N/A
10	Sidespray	N/A
	4ft. Hose	013842-45
	7ft. Hose (B-2730-07)	013675-45
11	Retaining Ring	N/A
12	Retaining Nut	N/A
13	Cartridge, Metal Stem w/ Temperature Limit Stop	013080-45
14	Handle	N/A
	Standard	013113-45
	Long	013429-45
15	Plug	014173-45
16	Hex Key, 3/32" or 2.5mm (not included)	017267-45
17	Post, Sidespray Connection	N/A
18	Flexible Stainless Steel Supplies	N/A
19	Hose, Guide	001496-45
20	Locknut, Hose Guide	N/A

General Instructions

Faucet Installation

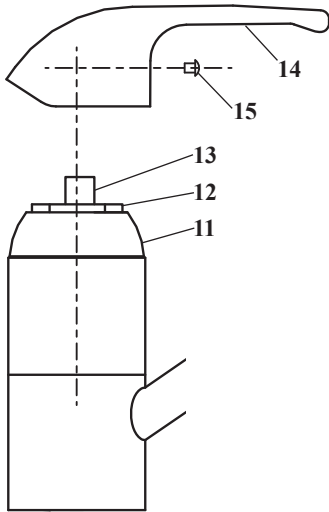
1. Shut off water supply and drain lines. Clean sink surface thoroughly.
2. Place no.6 with no.7 on deck in line with mounting holes.
3. Hand tighten no.18 into no.1. Carefully slide no.18 through center sink hole.
4. Insert no.8 under deck and thread tightly into no.6. Thread no.9 onto no.8 and tighten fully against underside of countertop.
5. Insert no.4 into no.1 tightly. Slide no.2 and no.3 onto no.4. Thread no.5 onto no.4. Tighten fully against underside of countertop.
6. Place no.19 into hole in countertop. Thread no.20 onto no.19 and tighten fully against underside of countertop.
7. Slide no.10 through no.19. Connect no.10 to outlet no.17.
8. Connect water supply lines and check for leaks.



Maintenance:

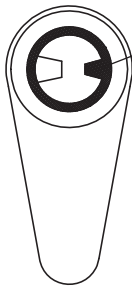
1. To change no.13, remove no.15 by hand.
2. Insert no.16 into hole of no.14 and loosen set screw of no.14. Remove no.14.
3. Unscrew no.11 by hand and remove.
4. Unscrew no.12 by hand and remove.
5. Remove no.13 and replace with new no.13.
6. Replace no.12, no.11 and no.14 and tighten set screw.
7. Replace no.15.

General Instructions



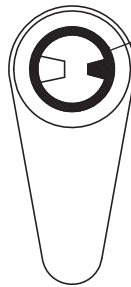
1. Remove no.15, then using no.16, loosen set screw and lift off no.14
2. Adjust no.13 to desired position per below.

Figure 1



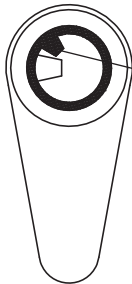
Normal factory set position allows full mixing of hot and cold water.

Figure 2



Using needle nose pliers, carefully lift off the temperature limit stop ring from the cartridge body. Re-set the ring onto the body per Figure 4 or 5.

Figure 3



Place ring into this position to reduce the amount of hot water available. Result: cold to warm water only.

Figure 4



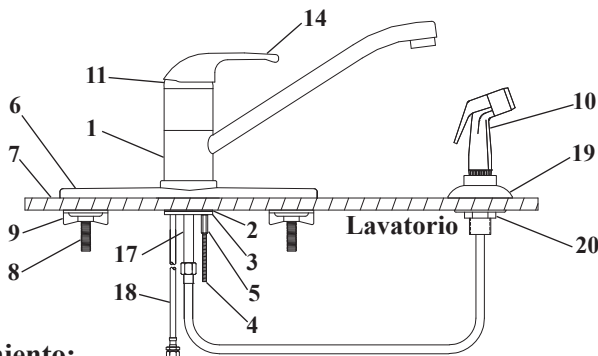
Place ring into this position to reduce the amount of cold water available. Result: warm to hot water only.

Figure 5

Instrucciones Generales

Instalación de la canilla:

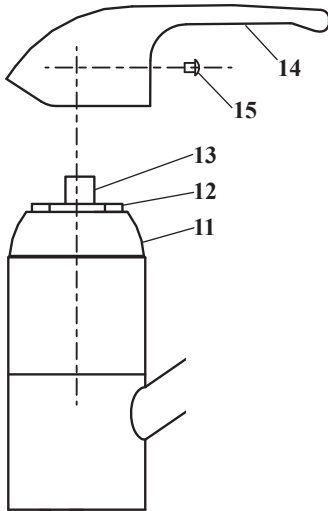
1. Cierre la fuente principal de agua y desagüe las tuberías. Limpie muy bien la superficie del lavatorio.
2. Coloque la parte No.6 con la parte No.7 sobre la cubierta en línea con los huecos de montadura.
3. Apriete a mano la parte No.18 a la parte No.1 Cuidadosamente deslice la parte No.18 a través del hueco del centro del lavatorio.
4. Ensarte la parte No.8 a la parte No.6 por debajo de la cubierta y apriete aseguradamente. Enrosque la parte No.9 en la parte No.8 y apriete por completo contra la parte de abajo del mostrador.
5. Ensarte la parte No.4 dentro de la parte No.1 apretadamente. Deslice las parte No.2 y No.3 en la parte No.4. Enrosque la parte No.5 en la parte No.4. Apriete por completo contra la parte de abajo del mostrador.
6. Coloque la parte No.19 en el hueco del mostrador. Enrosque la parte No.20 en la parte No.19 y apriete por completo contra la parte de abajo del mostrador.
7. Deslice la parte No.10 a través de la parte No.19. Conecte la parte No.10 a la línea de salida No.17.
8. Conecte las líneas de surtido e inspeccione por filtraciones.



Mantenimiento:

1. Para cambiar la parte No.13, remueva a mano la parte No.15.
2. Ensarte la parte No.16 en el hueco de la parte No.14 y afloje el tornillo presión de la parte No.14. Remueva la parte No.14.
3. Destornille la parte No.11 y remuévala.
4. Destornille la parte No.12 y remuévala.
5. Remueva la parte No.13 y reemplace con una parte nueva No.13.
6. Reemplace la parte No.12, No.11 y la parte No.14. Apriete el tornillo de presión.
7. Reemplace la parte No.15.

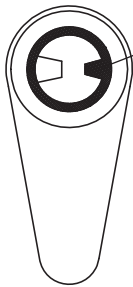
Instrucciones Generales



1. Remueva la parte No.15, luego afloje el tornillo de presión utilizando la parte No.8, y remueva la parte No.14 alzándola.

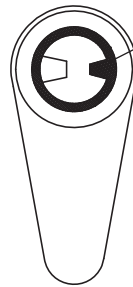
2. Ajuste la parte No.13 a la posición deseada como lo indica abajo.

Dibujo 1



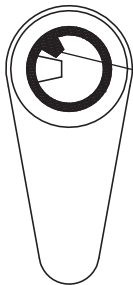
La posición ajustada en la factoría permite la mayor mezcla de agua fría y caliente.

Dibujo 2



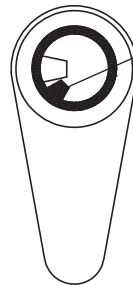
Cuidadosamente levante la argolla de limitación de temperatura del cuerpo del cartucho utilizando alicates de punta. Coloque de nuevo la argolla dentro del cuerpo como indicado en el dibujo 4 o 5.

Dibujo 3



Coloque la argolla en esta posición para reducir la cantidad de agua caliente disponible. Resultado: Solamente agua tibia a fría.

Dibujo 4



Coloque la argolla en esta posición para reducir la cantidad de agua fría disponible. Resultado: Solamente agua tibia a caliente.

Dibujo 5



**B-2710 & B-2711
Single Lever
Faucets**

T&S BRASS AND BRONZE WORKS, INC.

A firm commitment to application-engineered plumbing products

2 Saddleback Cove, P.O. Box 1088
Travelers Rest, SC 29690
Phone: (864) 834-4102
Fax: (864) 834-3518
E-mail: tsbrass@tsbrass.com

T & S Brass-Europe
'De Veenhoeve'
Oude Nieuwveenseweg 84
2441 CW Nieuwveen
The Netherlands



RELIABILITY BUILT IN™