



T&S BRASS AND BRONZE WORKS, INC.

2 Saddleback Cove / P.O. Box 1088
Travelers Rest, SC 29690

Model No.

B-0123-12-CR-B

Item No.

Travelers Rest, SC: 800-476-4103 • Simi Valley, CA: 800-423-0150 • Fax: 864-834-3518 • www.tsbrass.com

This Space for Architect/Engineer Approval

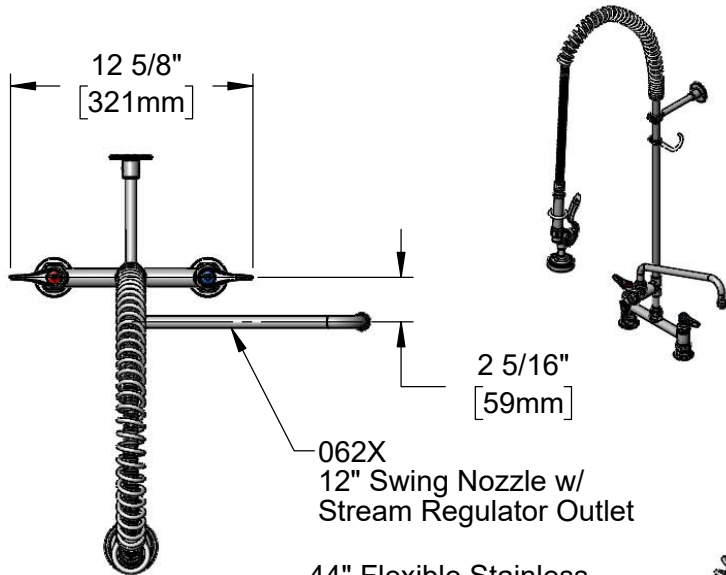
Job Name _____ Date _____

Model Specified _____ Quantity _____

Customer/Wholesaler _____

Contractor _____

Architect/Engineer _____



062X
12" Swing Nozzle w/
Stream Regulator Outlet

44" Flexible Stainless
Steel Hose w/ Spring &
Spray Valve

Items Not Shown
for Clarity

3/8" NPT x 24" Riser

Finger Hook

B-0107
1.15 GPM
Spray Valve

B-0109-01
6" Wall
Bracket

46 1/16"
[1169mm]

12"
[305mm]

14 1/2"
[369mm]

14 1/16"
[357mm]

2 5/16"
[59mm]

Add-On Faucet
w/ Quarter-Turn
Cerama Cartridge
& Lever Handle

5 1/8"
[130mm]

8"
[203mm]

11 3/8"
[289mm]

16 7/16"
[418mm]

Mounting Surface

Quarter-Turn Cerama
Cartridges w/ Check
Valves & Lever Handles
w/ Color Coded Indexes

Ø2" [51mm]
Flanges w/
1/2" NPT
Female Inlets

Adjustable From
7 3/4" to 8 1/4"
[197mm to 210mm]

Product Specifications:

EasyInstall Pre-Rinse Unit:

8" Deck Mount Mixing Faucet, Quarter-Turn Cerama Cartridges w/ Check Valves, Lever Handles, Add-On Faucet w/ 12" Swing Nozzle, 24" Riser, 44" Flexible Stainless Steel Hose, 1.15 GPM Spray Valve, 6" Wall Bracket & 1/2" NPT Female Inlets

Product Compliance:

ASME A112.18.1 / CSA B125.1
NSF 61 - Section 9
NSF 372 (Low Lead Content)
2019 DOE PRSV - Class II



T&S BRASS AND BRONZE WORKS, INC.

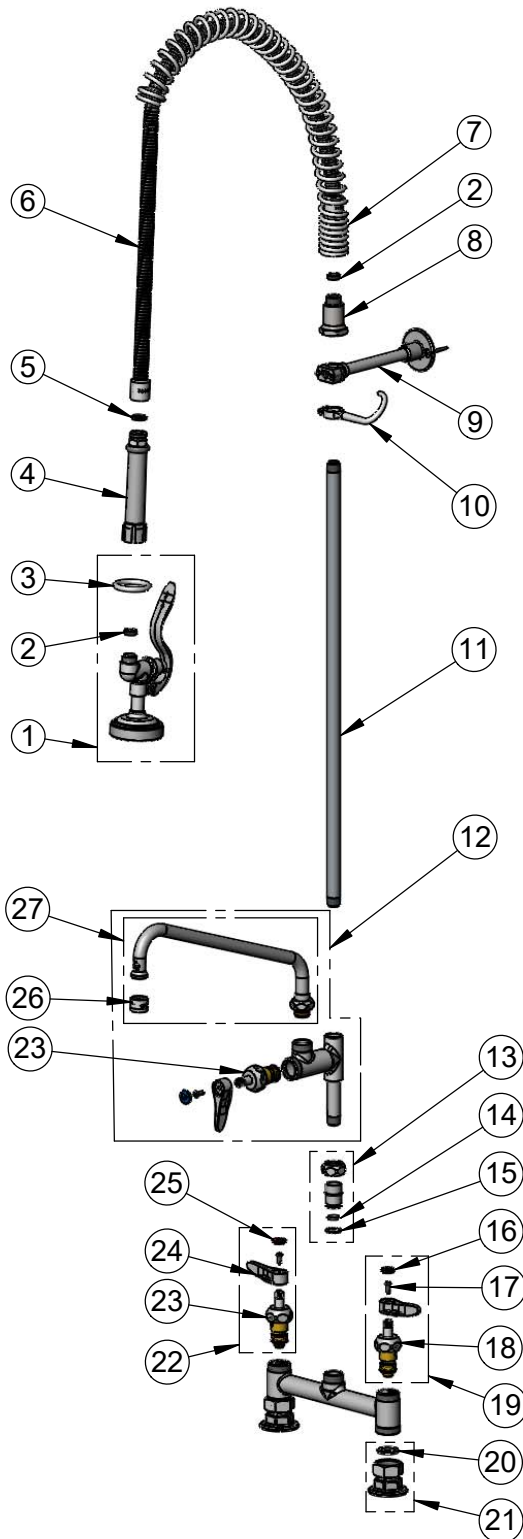
2 Saddleback Cove / P.O. Box 1088
Travelers Rest, SC 29690

Model No.

B-0123-12-CR-B

Item No.

Travelers Rest, SC: 800-476-4103 • Simi Valley, CA: 800-423-0150 • Fax: 864-834-3518 • www.tsbrass.com



ITEM NO.	SALES NO.	DESCRIPTION
1	B-0107	1.15 GPM Spray Valve
2	010476-45	#27 Washer
3	000907-45	Spray Valve Hold Down Ring
4	002987-40	Grip Handle
5	001014-45	Washer, B-0100 Hose Barrel
6	B-0044-H2A	44" Flexible Stainless Steel Hose, Less Handle
7	000888-45	EasyInstall Overhead Spring
8	000821-40	Spring Body
9	B-0109-01	6" Wall Bracket
10	004R	Finger Hook
11	000372-40	3/8" NPT x 24" Riser
12	B-0156-CR	Add-On Faucet, w/ Quarter-Turn Cerama Cartridge w/ Check Valve & Lever Handle, 12" Swing Nozzle
13	EZ-K	EasyInstall Kit
14	006562-45	O-ring
15	014200-45	Star Washer, Anti-Rotation
16	018506-19NS	Blue Button Index, Press-in
17	000925-45	Lab Handle Screw
18	012395-25NS	Quarter-Turn Cerama Cartridge w/ Check Valve, LTC
19	012447-25NS	Quarter-Turn Cerama Cartridge w/ Check Valve, Handle, Blue Index & Screw, LTC
20	001019-45	Coupling Nut Washer
21	00AA	1/2" NPT Female Eccentric Flange
22	012446-25NS	Quarter-Turn Cerama Cartridge w/ Check Valve, Handle, Red Index & Screw, RTC
23	012394-25NS	Quarter-Turn Cerama Cartridge w/ Check Valve, RTC
24	001638-45NS	Lever Handle (New Style)
25	001193-19NS	Red Button Index, Press-in
26	B-PT	Full Flow Stream Regulator, 55/64-27
27	062X	12" Swing Nozzle

Product Specifications:

EasyInstall Pre-Rinse Unit:
8" Deck Mount Mixing Faucet, Quarter-Turn Cerama Cartridges w/ Check Valves, Lever Handles, Add-On Faucet w/ 12" Swing Nozzle, 24" Riser, 44" Flexible Stainless Steel Hose, 1.15 GPM Spray Valve, 6" Wall Bracket & 1/2" NPT Female Inlets

Product Compliance:

ASME A112.18.1 / CSA B125.1
NSF 61 - Section 9
NSF 372 (Low Lead Content)
2019 DOE PRSV - Class II