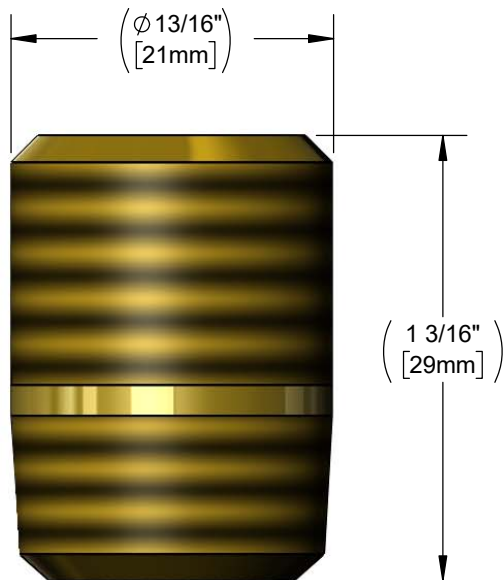




Architect/Engineering Specifications:

Brass 1 3/16" Nipple with 1/2" NPT male thread and G1/2" BSPP male thread. Certified to NSF 61-Section 9 and NSF 372.

Job Name _____
 Model Specified _____ Quantity _____
 Variations Specified _____
 Date _____



Features & Benefits:

- 1 3/16" Nipple
- 1/2" NPT male thread
- G1/2" BSPP male thread
- Material: Brass

Product Compliance:

- NSF 61 - Section 9
- NSF 372 (Low Lead Content)

Warranty: One Year (Limited)

Performance Data:

- N/A

