



T&S BRASS AND BRONZE WORKS, INC.

2 Saddleback Cove / P.O. Box 1088
Travelers Rest, SC 29690

Model No.

B-2310

Item No.

Travelers Rest, SC: 800-476-4103 • Simi Valley, CA: 800-423-0150 • Fax: 864-834-3518 • www.tsbrass.com

This Space for Architect/Engineer Approval

Job Name _____ Date _____

Model Specified _____ Quantity _____

Customer/Wholesaler _____

Contractor _____

Architect/Engineer _____



Items Not Shown For Clarity

44" Flexible Stainless Steel Hose w/ Spring & Spray Valve

B-0109-01
6" Wall Bracket

B-0107
1.15 GPM
Spray Valve

Finger Hook

3/8" NPT x
24" Riser

B-0970-FEZ
Vacuum Breaker

EasyInstall
Lock Nut &
Bushing

Quarter-Turn
Eterna Cartridges w/
Spring Checks &
Lever Handles w/
Color Coded Indexes

2 5/16"
[58mm]

Mounting
Surface

45 5/8"
[1158mm]

14 1/16"
[357mm]

16"
[407mm]

18" Flexible
Stainless Steel
Supply Hoses

Ø 2 1/4" [57mm]
Deck Flange

1 3/8"
[35mm]
Maximum
Thickness

Compression Fittings
for 5/8" O.D. Copper Tubing
(Remove Compression Nut
for 1/2" NPSM Male)

Rough-In Requirement:
Ø 1 1/2" [38mm] Mounting Hole

Product Specifications:

Pre-Rinse Unit: EasyInstall Single Hole Deck Mount Mixing Faucet, Quarter-Turn Eterna Cartridges w/ Spring Checks, Lever Handles, 44" Flexible Stainless Steel Hose, Vacuum Breaker, 1.15 GPM Spray Valve & Flexible Stainless Steel Supply Hoses

Product Compliance:

ASME A112.18.1 / CSA B125.1
NSF 61 - Section 9
NSF 372 (Low Lead Content)
CSA B64.8 (VB)
2019 DOE PRSV - Class II



T&S BRASS AND BRONZE WORKS, INC.

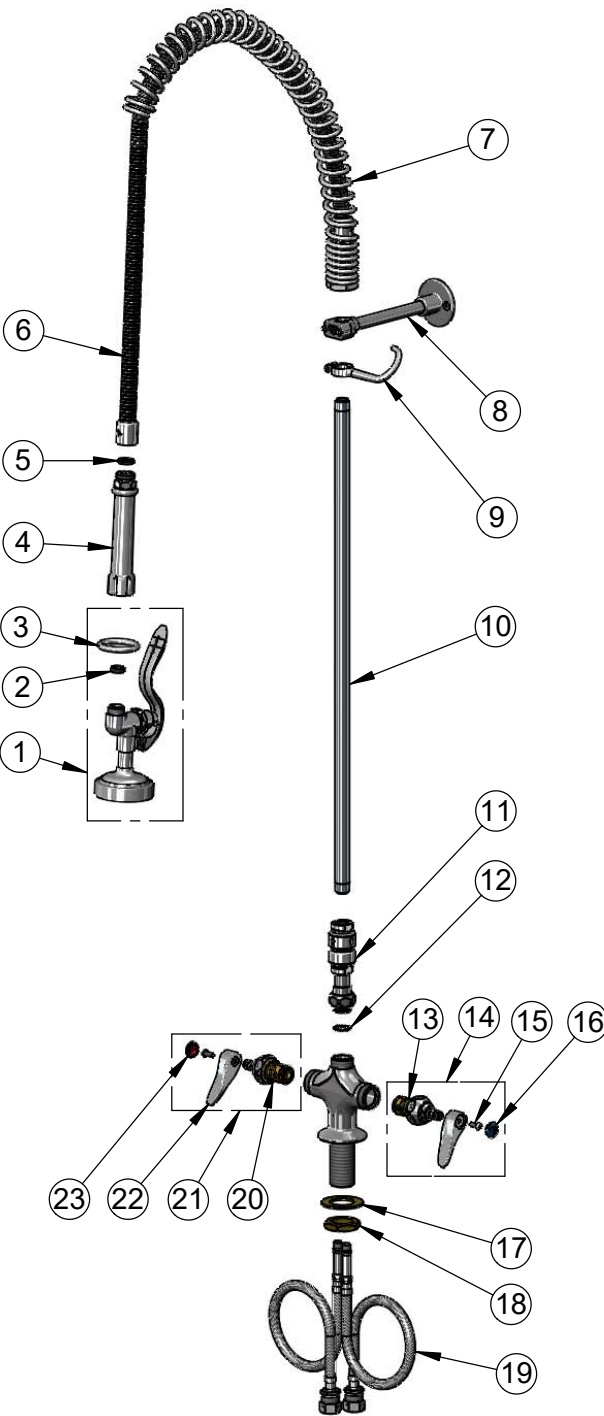
2 Saddleback Cove / P.O. Box 1088
Travelers Rest, SC 29690

Model No.

B-2310

Item No.

Travelers Rest, SC: 800-476-4103 • Simi Valley, CA: 800-423-0150 • Fax: 864-834-3518 • www.tsbrass.com



ITEM NO.	SALES NO.	DESCRIPTION
1	B-0107	1.15 GPM Spray Valve
2	010476-45	#27 Washer
3	000907-45	Spray Valve Hold Down Ring
4	002987-40	Grip Handle
5	001014-45	Washer, B-0100 Hose Barrel
6	B-0044-H2A	44" Flexible Stainless Steel Hose Less Grip Handle
7	000888-45	EasyInstall Overhead Spring
8	B-0109-01	6" Wall Bracket
9	004R	Finger Hook
10	000372-40	3/8" NPT x 24" Riser
11	B-0970-FEZ	EasyInstall Vacuum Breaker
12	014200-45	Star Washer, Anti-Rotation
13	012442-40NS	Quarter-Turn Eterna Cartridge w/ Spring Check, LTC
14	002711-40NS	Quarter-Turn Eterna Cartridge w/ Spring Check, Handle, Blue Index & Screw, LTC
15	000925-45	Lab Handle Screw
16	018506-19NS	Blue Button Index, Press-in
17	002290-45	Lock Washer
18	000965-45	Lock Nut
19	012534-45	18" Flexible Supply Hose (2)
20	012443-40NS	Quarter-Turn Eterna Cartridge w/ Spring Check, RTC
21	002712-40NS	Quarter-Turn Eterna Cartridge w/ Spring Check, Handle, Red Index & Screw, RTC
22	001638-45NS	Lever Handle (New Style)
23	001193-19NS	Red Button Index, Press-in

Product Specifications:
Pre-Rinse Unit: EasyInstall Single Hole Deck Mount Mixing Faucet, Quarter-Turn Eterna Cartridges w/ Spring Checks, Lever Handles, 44" Flexible Stainless Steel Hose, Vacuum Breaker, 1.15 GPM Spray Valve & Flexible Stainless Steel Supply Hoses

Product Compliance:
ASME A112.18.1 / CSA B125.1
NSF 61 - Section 9
NSF 372 (Low Lead Content)
CSA B64.8 (VB)
2019 DOE PRSV - Class II