



T&S BRASS AND BRONZE WORKS, INC.
 2 Saddleback Cove / P.O. Box 1088
 Travelers Rest, SC 29690

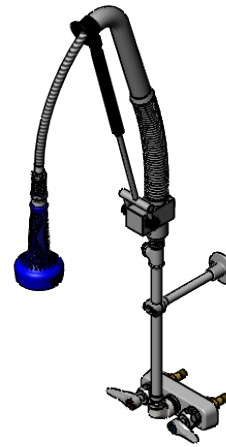
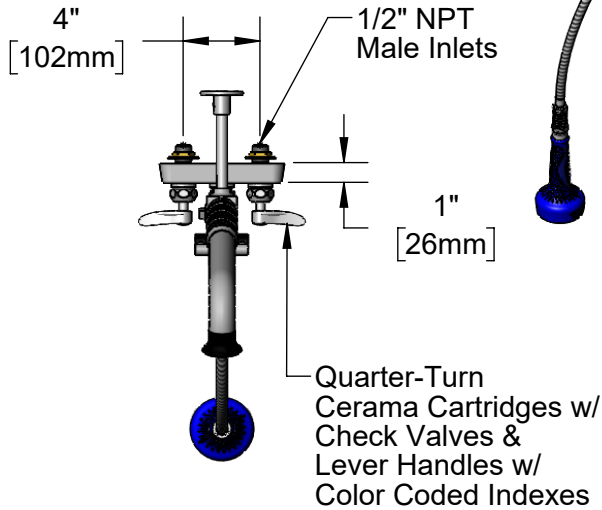
Model No.
B-5115-CR-B8TP

Item No.

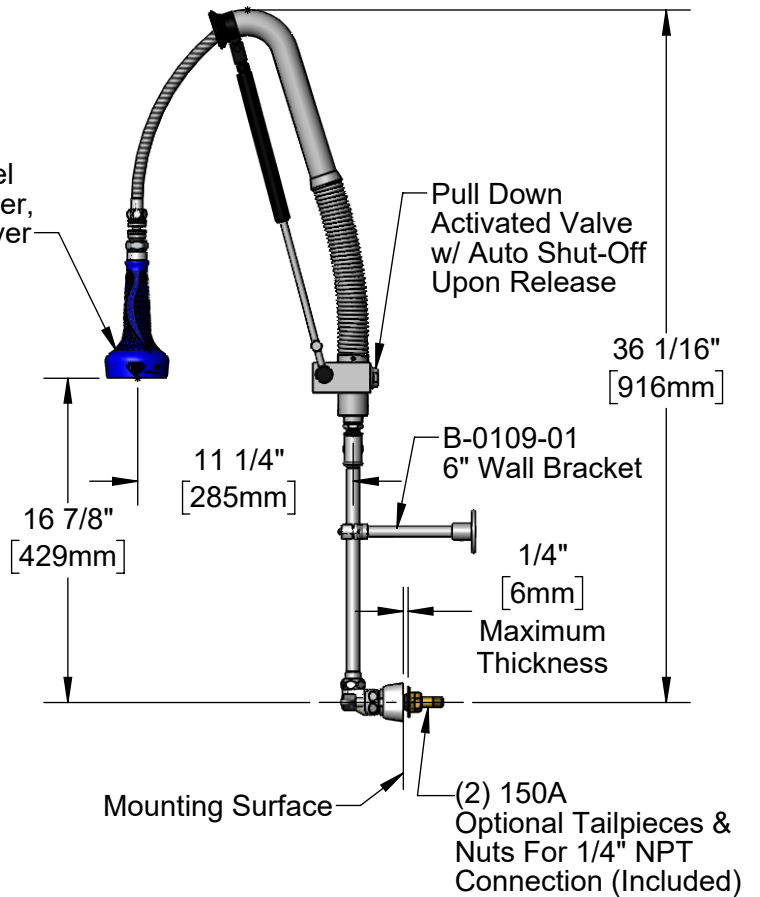
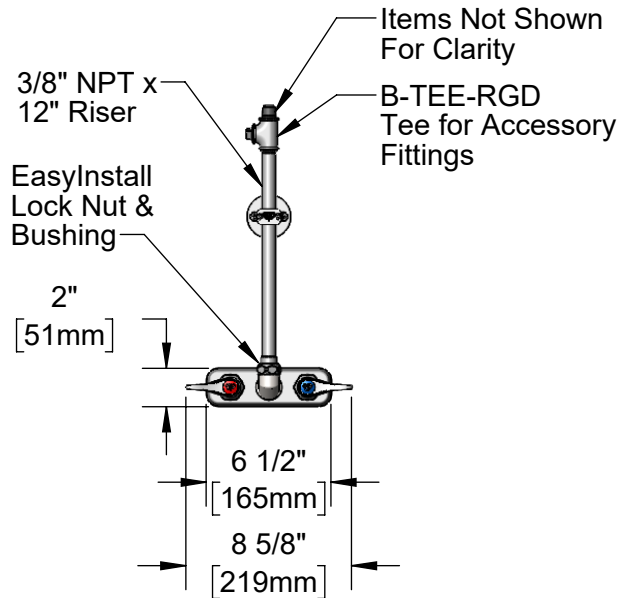
Travelers Rest, SC: 800-476-4103 • Simi Valley, CA: 800-423-0150 • Fax: 864-834-3518 • www.tsbrass.com

This Space for Architect/Engineer Approval

Job Name _____ Date _____
 Model Specified _____ Quantity _____
 Customer/Wholesaler _____
 Contractor _____
 Architect/Engineer _____



30" Flexible Stainless Steel Hose w/ Spring, Air Cylinder, Swivel, & 1.07 GPM Sprayer



Rough-In Requirement:
 (2) ϕ 1" [25mm] Mounting Holes

Product Specifications:
 EasyInstall Pull-Down Pre-Rinse Unit: 4" Wall Mount Workboard Faucet, Quarter-Turn Cerama Cartridges w/ Check Valves, Lever Handles, 12" Riser, 30" Flexible Stainless Steel Hose, 1.07 GPM Sprayer w/ Ball-Joint Swivel, Accessory Tee, 6" Wall Bracket & 1/2" NPT Male Inlets

Product Compliance:
 ASME A112.18.1 / CSA B125.1
 NSF 61 - Section 9
 NSF 372 (Low Lead Content)
 2019 DOE PRSV - Class II



T&S BRASS AND BRONZE WORKS, INC.

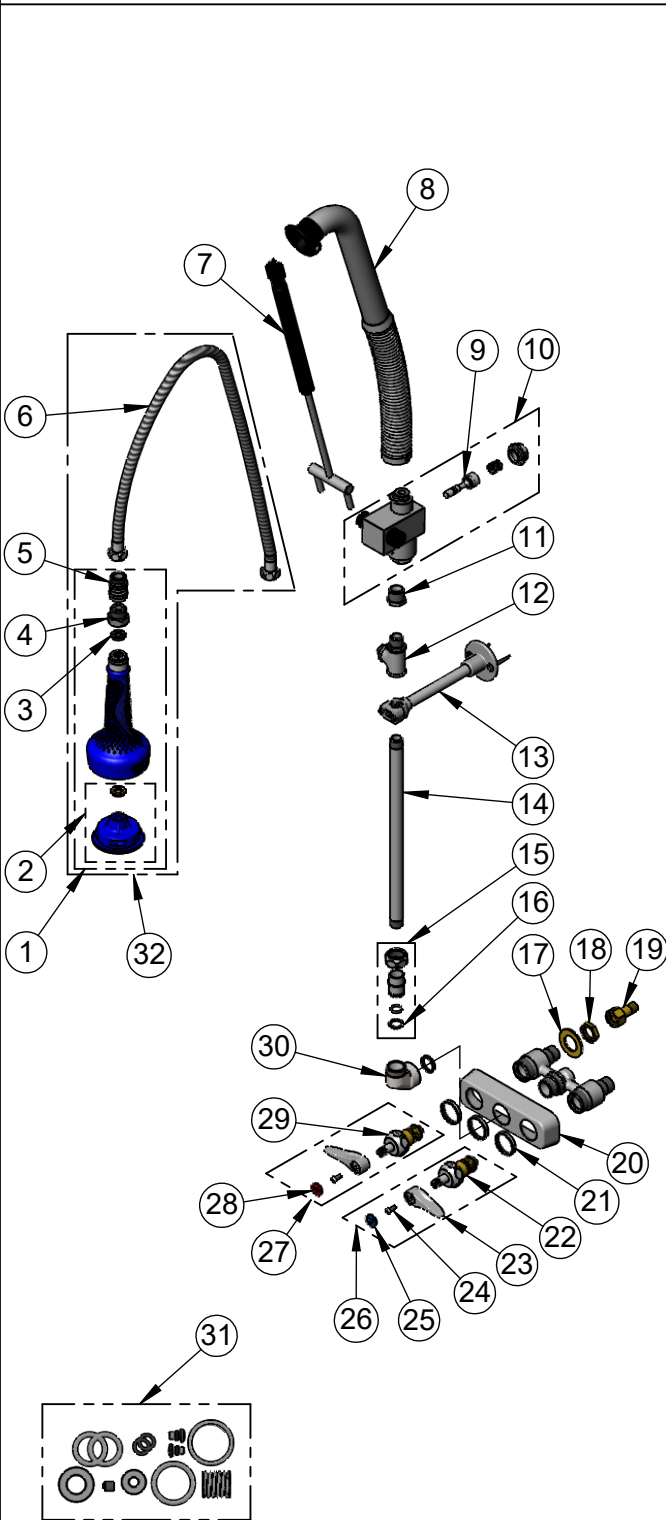
2 Saddleback Cove / P.O. Box 1088
Travelers Rest, SC 29690

Model No.

B-5115-CR-B8TP

Item No.

Travelers Rest, SC: 800-476-4103 • Simi Valley, CA: 800-423-0150 • Fax: 864-834-3518 • www.tsbrass.com



| ITEM NO. | SALES NO. | DESCRIPTION |
|----------|-------------|--|
| 1 | 019898-40 | 1.07 GPM Sprayer w/ Swivel |
| 2 | 108SF-RK | Spray Face Repair Kit |
| 3 | 001014-45 | Washer, Hose Barrel |
| 4 | 005221-25 | 7/8"-20 x 1/2" BSPP Adapter |
| 5 | 021046-45 | Stainless Steel Ball-Joint Swivel |
| 6 | 019901-45 | 30" Stainless Steel Braided Hose w/ 1/2" NPSM Threads |
| 7 | 020062-45 | Air Cylinder Repair Kit |
| 8 | 020060-45 | Spring & Tube Repair Kit |
| 9 | 020061-45 | Valve Stem Repair Kit |
| 10 | 020063-45 | Valve Body Repair Kit |
| 11 | 001359-40 | Hex Bushing, 1/2" NPT Male x 3/8" NPT Female |
| 12 | B-TEE-RGD | 3/8" NPT Rigid Tee |
| 13 | B-0109-01 | 6" Wall Bracket |
| 14 | 145X | 3/8" NPT x 12" Riser |
| 15 | EZ-K | EasyInstall Kit: Nut, Bushing, O-ring & Lock Washer |
| 16 | 014200-45 | Star Washer, Anti-Rotation |
| 17 | 000999-45 | Brass Lock Washer |
| 18 | 002954-45 | Shank Lock Nut |
| 19 | 150A | 1/4" NPT Tailpiece & Nut |
| 20 | 019611-40 | 4" c/c Brass Escutcheon |
| 21 | 019376-40 | Escutcheon Lock Nut |
| 22 | 012394-25NS | Quarter-Turn Cerama Cartridge, RTC w/ Check Valve |
| 23 | 001638-45NS | Lever Handle (New Style) |
| 24 | 000925-45 | Lab Handle Screw |
| 25 | 018506-19NS | Blue Button Index, Press-in |
| 26 | 019641-25 | Quarter-Turn Cerama Cartridge, RTC w/ Check Valve, Lever Handle, Index & Screw |
| 27 | 019640-25 | Quarter-Turn Cerama Cartridge, LTC w/ Check Valve, Lever Handle, Index & Screw |
| 28 | 001193-19NS | Red Button Index, Press-in |
| 29 | 012395-25NS | Quarter-Turn Cerama Cartridge, LTC w/ Check Valve |
| 30 | 000082-40 | B-1100 Knob |
| 31 | 020064-45 | PRU Control Valve Seal Repair Kit |
| 32 | 021047-40 | Hose, Sprayer & Swivel |

Product Specifications:
EasyInstall Pull-Down Pre-Rinse Unit: 4" Wall Mount Workboard Faucet, Quarter-Turn Cerama Cartridges w/ Check Valves, Lever Handles, 12" Riser, 30" Flexible Stainless Steel Hose, 1.07 GPM Sprayer w/ Ball-Joint Swivel, Accessory Tee, 6" Wall Bracket & 1/2" NPT Male Inlets

Product Compliance:
ASME A112.18.1 / CSA B125.1
NSF 61 - Section 9
NSF 372 (Low Lead Content)
2019 DOE PRSV - Class II