



**T&S BRASS AND BRONZE WORKS, INC.**  
 2 Saddleback Cove / P.O. Box 1088  
 Travelers Rest, SC 29690

Model No.  
**00KK**

Item No.

Travelers Rest, SC: 800-476-4103 • Simi Valley, CA: 800-423-0150 • Fax: 864-834-3518 • www.tsbrass.com

This Space for Architect/Engineer Approval

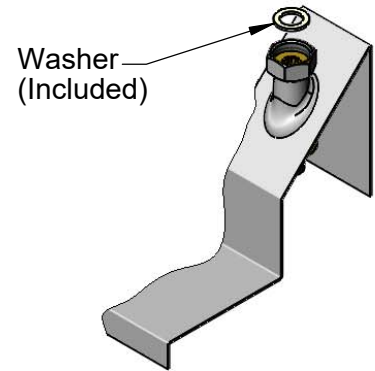
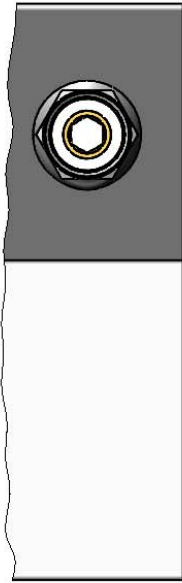
Job Name \_\_\_\_\_ Date \_\_\_\_\_

Model Specified \_\_\_\_\_ Quantity \_\_\_\_\_

Customer/Wholesaler \_\_\_\_\_

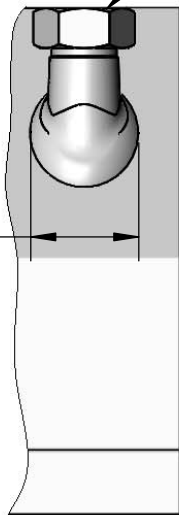
Contractor \_\_\_\_\_

Architect/Engineer \_\_\_\_\_



Connects to Standard  
 T&S Base Faucets

$\varnothing 1 \frac{11}{16}$ "  
 [43mm]



$\frac{1}{4}$ "  
 [6mm]  
 Maximum  
 Thickness

45° Stainless  
 Steel Backsplash

Bottom Section of Flange  
 Secures to Underside of  
 Panel with Lock Nut &  
 Lock Washer

4 1/2"  
 [114mm]

Dish Table Surface

1/2" NPT  
 Male Inlet

Lock Nut & Lock Washer

Rough-In Requirement:  
 $\varnothing 1 \frac{3}{8}$ " [35mm] Mounting Hole

Product Specifications:  
 1/2" NPT Male 45° Angle Flange

Product Compliance:

ASME A112.18.1 / CSA B125.1  
 NSF 61 - Section 9  
 NSF 372 (Low Lead Content)