



# T&S BRASS AND BRONZE WORKS, INC.

2 Saddleback Cove / P.O. Box 1088  
Travelers Rest, SC 29690

Model No.

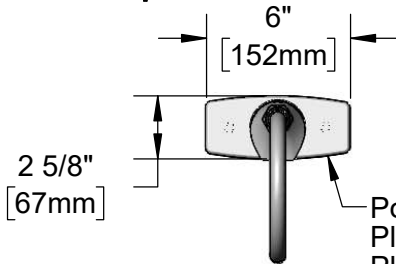
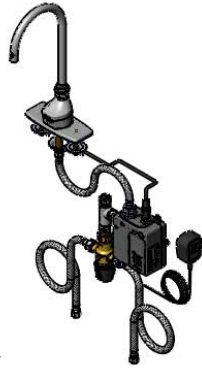
**EC-3100-5XP15T4**

Item No.

Travelers Rest, SC: 800-476-4103 • Simi Valley, CA: 800-423-0150 • Fax: 864-834-3518 • www.tsbrass.com



**ADA Compliant**



Polished Chrome Plated Brass Deck Plate w/ Deck Gasket

This Space for Architect/Engineer Approval

Job Name \_\_\_\_\_ Date \_\_\_\_\_

Model Specified \_\_\_\_\_ Quantity \_\_\_\_\_

Customer/Wholesaler \_\_\_\_\_

Contractor \_\_\_\_\_

Architect/Engineer \_\_\_\_\_

133XP-F15 Swivel Gooseneck w/ Plain End Outlet & 1.5 GPM Flow Disc in Swivel Piece. Converts to Rigid w/ 014200-45 Lock Washer (Included)

Rigid-to-Swivel Adapter

1/2" NPSM x 1/4" NPSM 18" [457mm] Flexible Stainless Steel Hose

24" [610mm] Sensor Cable

100-240 VAC Adapter w/ 72" [1830mm] Power Cord

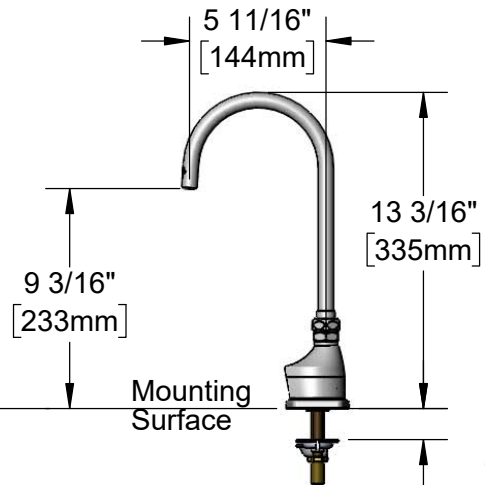
4" x 4 3/8" x 2 3/16" Deep [102mm x 111mm x 56mm] Water Resistant Control Module Box (Grey) w/ Internal Flow Control Setting Switches, AC Plug-in, or DC Operated w/ (4) AA Batteries. Hardwire Capable Using Terminals on Back

(2) 3/8" Compression x 1/2" NPSM 18" [457mm] Flexible Stainless Steel Supply Hoses

EC-TMV ASSE 1070 Thermostatic Temperature Mixing Valve w/ Integral Check Valves

4" [102mm]

Removable Strainer



Mounting Surface

1 5/16" [33mm] Maximum Thickness

Rough-In Requirement:  
 Ø 1" [25mm] Center Hole  
 (2) Ø 1 1/8" [29mm] Side Mounting Holes

**Product Specifications:**

Chrome Plated Brass Electronic Faucet: Single Hole Deck Mount Swivel Gooseneck w/ Plain End Outlet, 1.5 GPM Flow Disc in Swivel Piece, Rigid-to-Swivel Adapter, Deck Plate, AC/DC Control Module w/ Internal Flow Control Setting Switches, Thermostatic Temperature Control Mixing Valve w/ Integral Check Valves & 18" Flexible Stainless Steel Supply Hoses

**Product Compliance:**

ASME A112.18.1 / CSA B125.1  
 NSF 61 - Section 9  
 NSF 372 (Low Lead Content)  
 ANSI A117.1 (ADA)  
 UL 1951  
 ASSE 1070 (TMV)



# T&S BRASS AND BRONZE WORKS, INC.

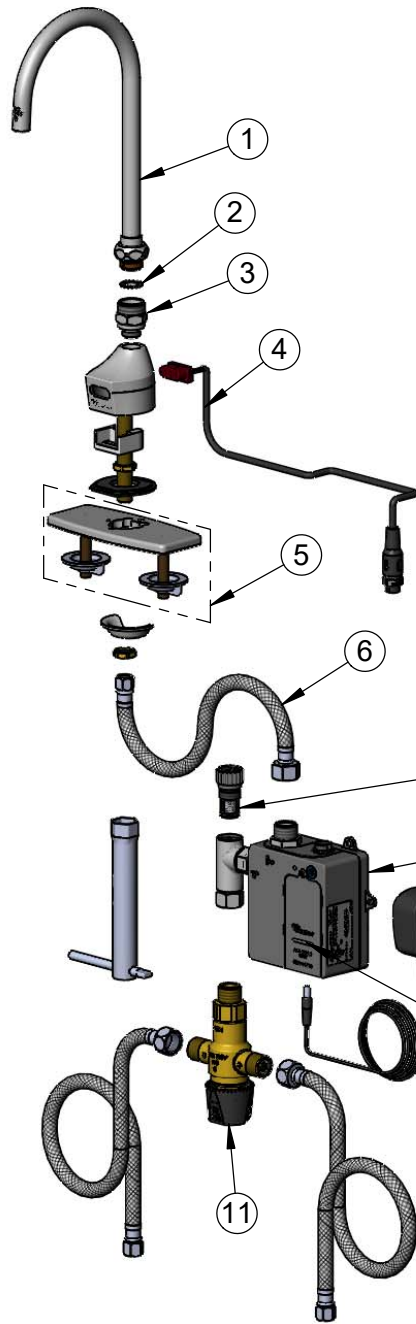
2 Saddleback Cove / P.O. Box 1088  
Travelers Rest, SC 29690

Model No.

**EC-3100-5XP15T4**

Item No.

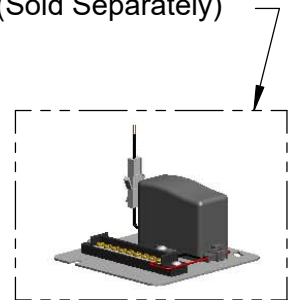
Travelers Rest, SC: 800-476-4103 • Simi Valley, CA: 800-423-0150 • Fax: 864-834-3518 • www.tsbrass.com



ITEM NO.	SALES NO.	DESCRIPTION
1	133XP-F15	Swivel Gooseneck w/ Plain End Outlet & 1.5 GPM Flow Disc in Swivel Piece
2	014200-45	Star Washer, Anti-Rotation
3	B-0412	Rigid to Swivel Adapter
* 4	019174-45	Sensor Cable Assembly
5	013433-40	4" Universal Deck Plate, Gasket & Mounting Hardware
6	016297-45	1/2" NPSM-F x 1/4" NPSM-F Inlet Hose
7	EC-FILTER	Replacement Filter
* 8	019944-45	ChekPoint Control Module w/ Filter Tee
* 9	5EF-0002C	AC Adapter - US Plug
10	5EF-0005	9/16-24 Female x 1/2" NPSM Supply Hose
11	EC-TMV	ASSE 1070 Thermostatic Mixing Valve

\* For Versions Prior to 2021, Consult with T&S Customer Service

A Maximum of (8) ChekPoint Faucets can be Hardwire Connected and Powered by EC-HARDWIRE ChekPoint Hardwire AC Transformer. (Sold Separately)



Flow Control Switches are Located Behind Battery Compartment Cover.

\* Switches are Set to DEFAULT Position:

- Auto Time Out = 15 Seconds
- Shut Off Delay = 1 Second
- Auto Flush = OFF
- Metering Mode = OFF

**\* Available Water Flow Control Selections:**

- Auto Time Out: 15 sec, 30 sec, 45 sec, 60 sec, 3 min, 20 min
- Shut Off Delay: 1 sec, 10 sec, 15 sec, 30 sec
- Auto Flush (30 Seconds After Every 12 Inactive Hours): ON or OFF
- Metering Mode: ON or OFF

**Product Specifications:**

Chrome Plated Brass Electronic Faucet: Single Hole Deck Mount Swivel Gooseneck w/ Plain End Outlet, 1.5 GPM Flow Disc in Swivel Piece, Rigid-to-Swivel Adapter, Deck Plate, AC/DC Control Module w/ Internal Flow Control Setting Switches, Thermostatic Temperature Control Mixing Valve w/ Integral Check Valves & 18" Flexible Stainless Steel Supply Hoses

**Product Compliance:**

ASME A112.18.1 / CSA B125.1  
NSF 61 - Section 9  
NSF 372 (Low Lead Content)  
ANSI A117.1 (ADA)  
UL 1951  
ASSE 1070 (TMV)