



T&S BRASS AND BRONZE WORKS, INC.
 2 Saddleback Cove / P.O. Box 1088
 Travelers Rest, SC 29690

Model No.
B-0600

Item No.

Travelers Rest, SC: 800-476-4103 • Simi Valley, CA: 800-423-0150 • Fax: 864-834-3518 • www.tsbrass.com

This Space for Architect/Engineer Approval

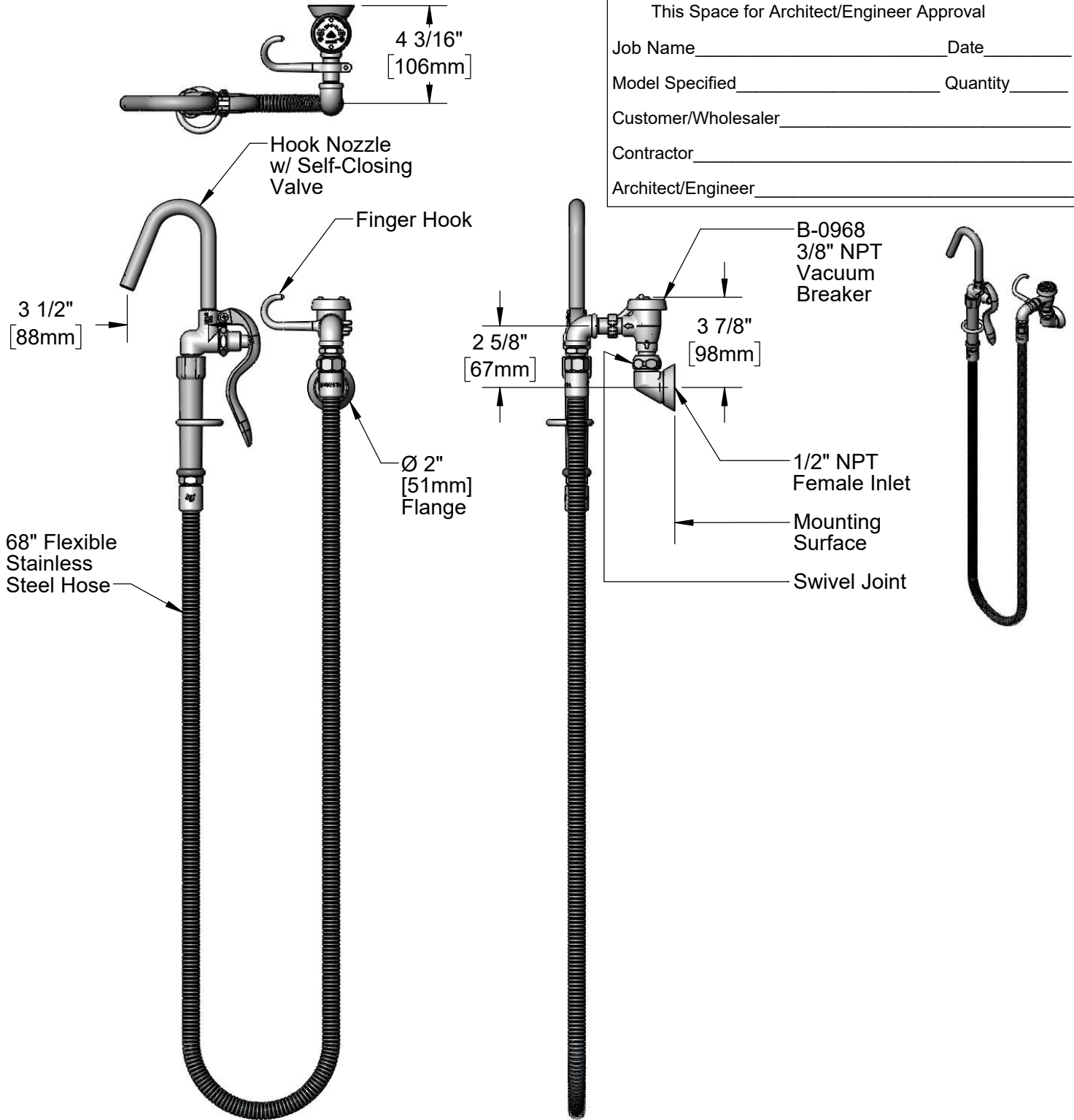
Job Name _____ Date _____

Model Specified _____ Quantity _____

Customer/Wholesaler _____

Contractor _____

Architect/Engineer _____



Product Specifications:

Wall Mount Swivel Pot Filler w/ 68" Flexible Stainless Steel Hose,
 Hook Nozzle, 3/8" Vacuum Breaker & 1/2" NPT Female Inlet

Product Compliance:

ASME A112.18.1 / CSA B125.1
 NSF 61 - Section 9
 NSF 372 (Low Lead Content)
 ASSE 1001 (VB)
 2019 DOE PRSV Non-Compliant



T&S BRASS AND BRONZE WORKS, INC.

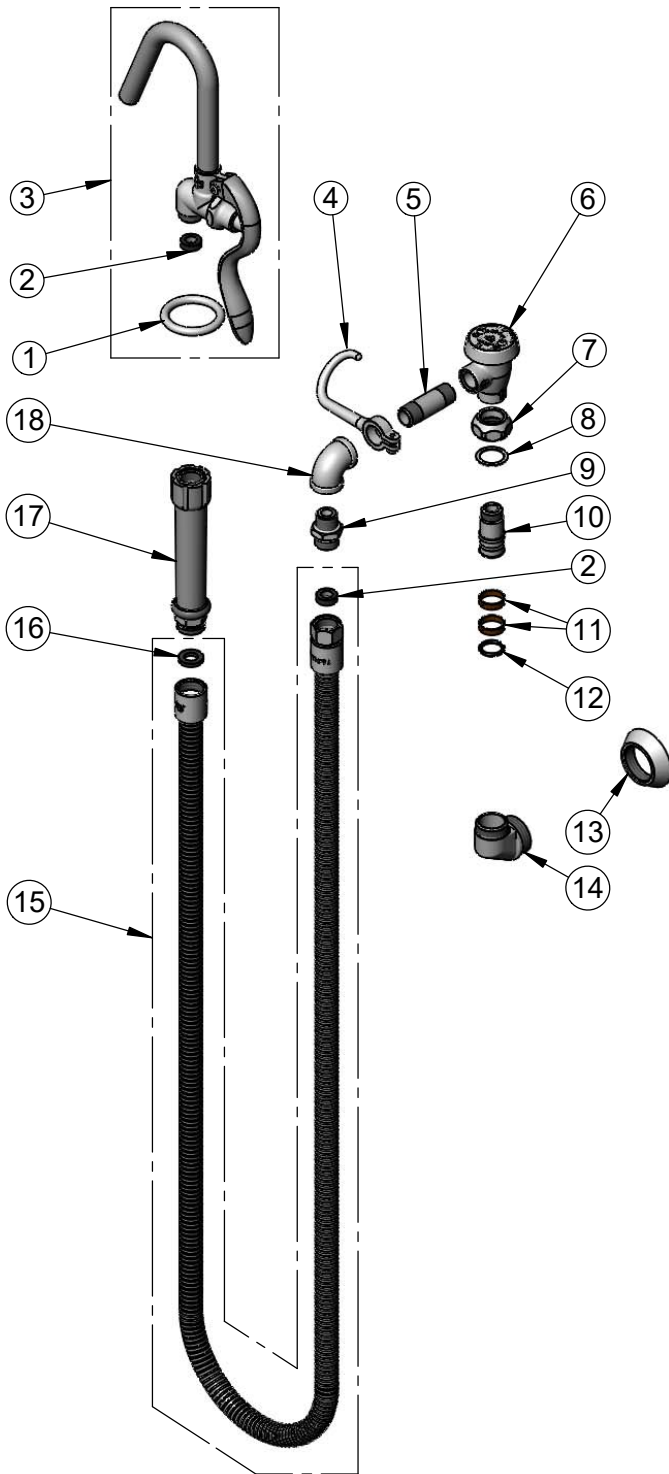
2 Saddleback Cove / P.O. Box 1088
Travelers Rest, SC 29690

Model No.

B-0600

Item No.

Travelers Rest, SC: 800-476-4103 • Simi Valley, CA: 800-423-0150 • Fax: 864-834-3518 • www.tsbrass.com



| ITEM NO. | SALES NO. | DESCRIPTION |
|----------|------------|--|
| 1 | 000907-45 | Spray Valve Hold Down Ring |
| 2 | 010476-45 | #27 Washer |
| 3 | 002851-40 | Hook Nozzle & Spray Valve |
| 4 | 004R | Finger Hook |
| 5 | 000357-40 | Nipple, 3/8" NPT x 2" |
| 6 | B-0968 | 3/8" NPT Vacuum Breaker |
| 7 | 000711-40 | Swivel Adapter Nut |
| 8 | 009538-45 | Swivel Washer |
| 9 | 053A | Adapter, 3/8" NPT x 3/4-14UN |
| 10 | 000843-25 | Swivel Body |
| 11 | 011429-45 | Swivel Sleeves (2) |
| 12 | 001074-45 | O-Ring |
| 13 | 000101-40 | Flange |
| 14 | 000181-40 | B-0580 Body |
| 15 | B-0068-H2A | 68" Flexible Stainless Steel Hose, Less Handle |
| 16 | 001014-45 | Washer, B-0100 Hose Barrel |
| 17 | 002987-40 | Gray Grip Handle |
| 18 | 001355-40 | Elbow, 3/8 NPT |

Product Specifications:

Wall Mount Swivel Pot Filler w/ 68" Flexible Stainless Steel Hose, Hook Nozzle, 3/8" Vacuum Breaker & 1/2" NPT Female Inlet

Product Compliance:

ASME A112.18.1 / CSA B125.1
NSF 61 - Section 9
NSF 372 (Low Lead Content)
ASSE 1001 (VB)
2019 DOE PRSV Non-Compliant