



**T&S BRASS AND BRONZE WORKS, INC.**  
 2 Saddleback Cove / P.O. Box 1088  
 Travelers Rest, SC 29690

Model No.  
**BP-2704-BN**

Item No.

Travelers Rest, SC: 800-476-4103 • Simi Valley, CA: 800-423-0150 • Fax: 864-834-3518 • www.tsbrass.com

**LAKECREST™**  
 BY T&S



**ADA Compliant**

This Space for Architect/Engineer Approval

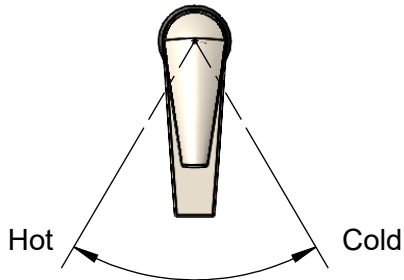
Job Name \_\_\_\_\_ Date \_\_\_\_\_

Model Specified \_\_\_\_\_ Quantity \_\_\_\_\_

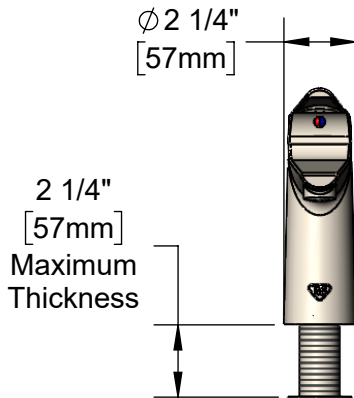
Customer/Wholesaler \_\_\_\_\_

Contractor \_\_\_\_\_

Architect/Engineer \_\_\_\_\_



B-0199-M21-V05  
 VR 0.5 GPM  
 Concealed Non-  
 Aerated Spray  
 Device



Mounting  
 Surface

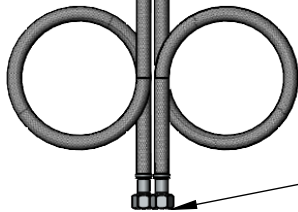
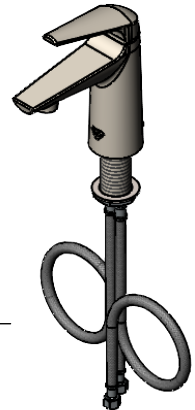
7 3/8"  
 [188mm]  
 "OFF"

3 7/8"  
 [99mm]

6°

8 15/16"  
 [227mm]  
 Full  
 "ON"

4 1/8"  
 [105mm]



(2) 19" Flexible  
 Stainless Steel  
 Hoses w/ 3/8"  
 Compression  
 Fittings

Rough-in Requirement:  
 $\phi$  1 1/2" [38 mm] Mounting Hole

Product Specifications:

LakeCrest Brushed Nickel Plated Single Hole Deck Mount Single Lever Faucet, Ceramic Cartridge, 0.5 GPM Concealed Vandal Resistant Non-Aerated Spray Device & 19" Flexible Stainless Steel Braided Supply Hoses

Product Compliance:

ASME A112.18.1 / CSA B125.1  
 NSF 61 - Section 9  
 NSF 372 (Low Lead Content)  
 ANSI A117.1 (ADA)



# T&S BRASS AND BRONZE WORKS, INC.

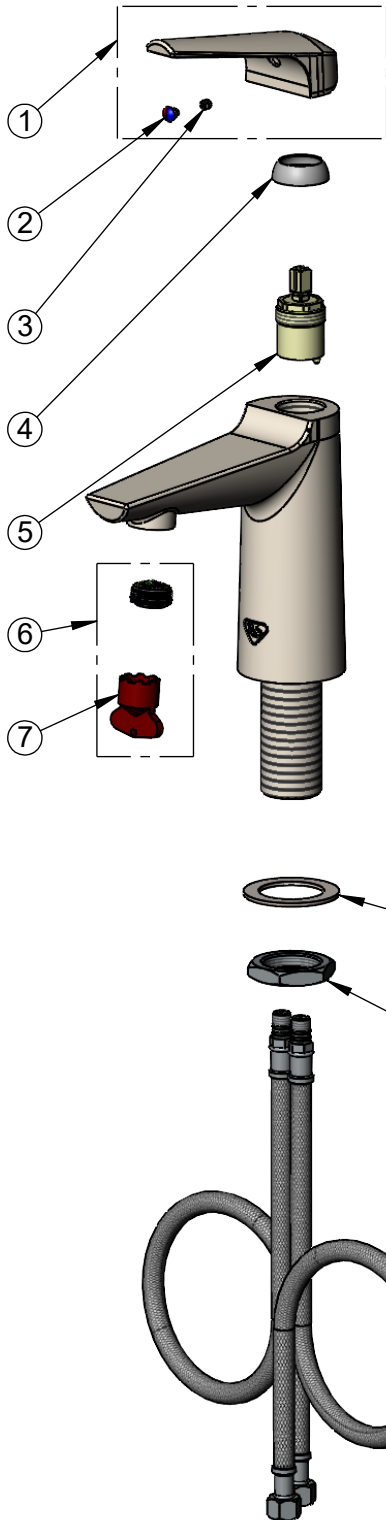
2 Saddleback Cove / P.O. Box 1088  
Travelers Rest, SC 29690

Model No.

**BP-2704-BN**

Item No.

Travelers Rest, SC: 800-476-4103 • Simi Valley, CA: 800-423-0150 • Fax: 864-834-3518 • www.tsbrass.com



ITEM NO.	SALES NO.	DESCRIPTION
1	020515-60	Single Lever Handle (Brushed Nickel)
2	014173-45	Index, Temperature
3	021098-45	18-8 Stainless Steel Cone-Point Set Screw
4	020516-60	Trim Ring (Brushed Nickel)
5	020518-45	Ceramic Cartridge
6	B-0199-M21-V05	0.5 GPM Concealed Spray Device, M21.5 x 1
7	020674-45	M21.5 x 1 Red Cache Key
8	S020656-20	Washer, Stainless Steel
9	S020655-20	Lock Nut
10	019969-45	19" Flexible Supply Hose

**Product Specifications:**

LakeCrest Brushed Nickel Plated Single Hole Deck Mount Single Lever Faucet, Ceramic Cartridge, 0.5 GPM Concealed Vandal Resistant Non-Aerated Spray Device & 19" Flexible Stainless Steel Braided Supply Hoses

**Product Compliance:**

ASME A112.18.1 / CSA B125.1  
NSF 61 - Section 9  
NSF 372 (Low Lead Content)  
ANSI A117.1 (ADA)