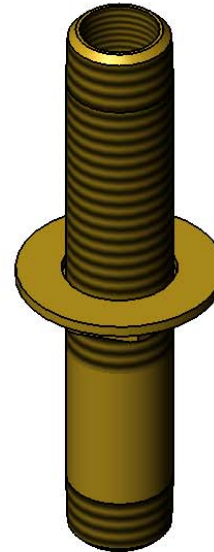
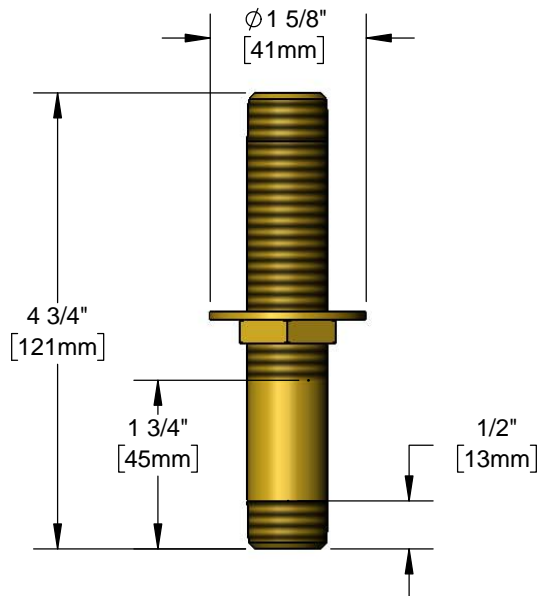




Architect/Engineering Specifications:

1/2" NPT supply nipple with brass body, 1/2" NPSL brass locknut and 1/2" I.D brass washer combination. Certified to ASME A112.18.1 / CSA B125.1, NSF 61 -Section 9 and NSF-372.

Job Name _____
 Model Specified _____ Quantity _____
 Variations Specified _____
 Date _____



Features & Benefits:

- Supply nipple w/ brass body
- 1/2" NPSL brass locknut
- 1/2" I.D brass washer
- Material: Brass

Product Compliance:

- ASME A112.18.1 / CSA B125.1N/A
- NSF 61 - Section 9
- NSF 372 (Low Lead Content)



Warranty: One Year (Limited)

Performance Data:

- N/A

