



T&S BRASS AND BRONZE WORKS, INC.
 2 Saddleback Cove / P.O. Box 1088
 Travelers Rest, SC 29690

Model No.
B-0690

Item No.

Travelers Rest, SC: 800-476-4103 • Simi Valley, CA: 800-423-0150 • Fax: 864-834-3518 • www.tsbrass.com

This Space for Architect/Engineer Approval

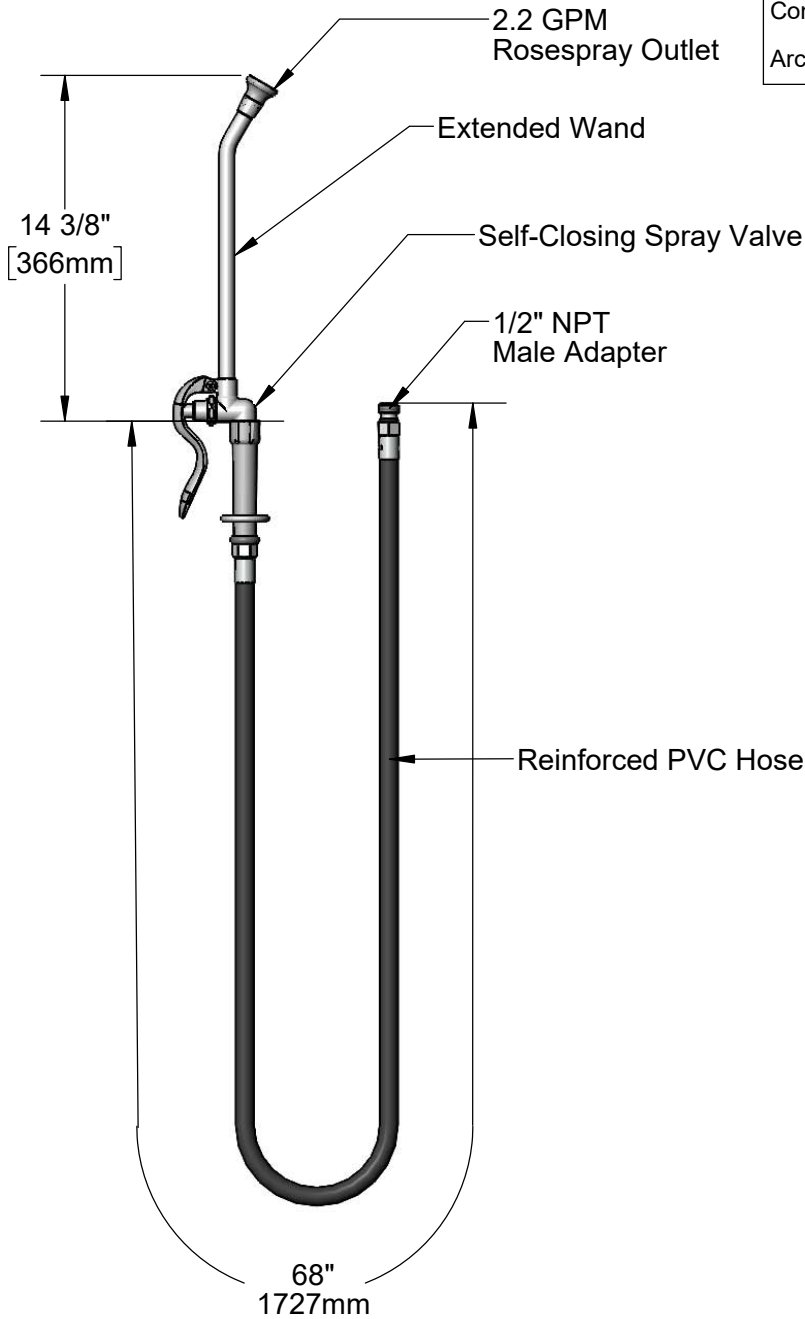
Job Name _____ Date _____

Model Specified _____ Quantity _____

Customer/Wholesaler _____

Contractor _____

Architect/Engineer _____



Product Specifications:
 Bedpan Washer w/ Self-Closing Spray Valve, Extended 2.2 GPM Rosespray
 Outlet, 68" Reinforced PVC Hose & 1/2" NPT Male Adapter

Product Compliance:
 ASME A112.18.1 / CSA B125.1
 2019 DOE PRSV Non-Compliant

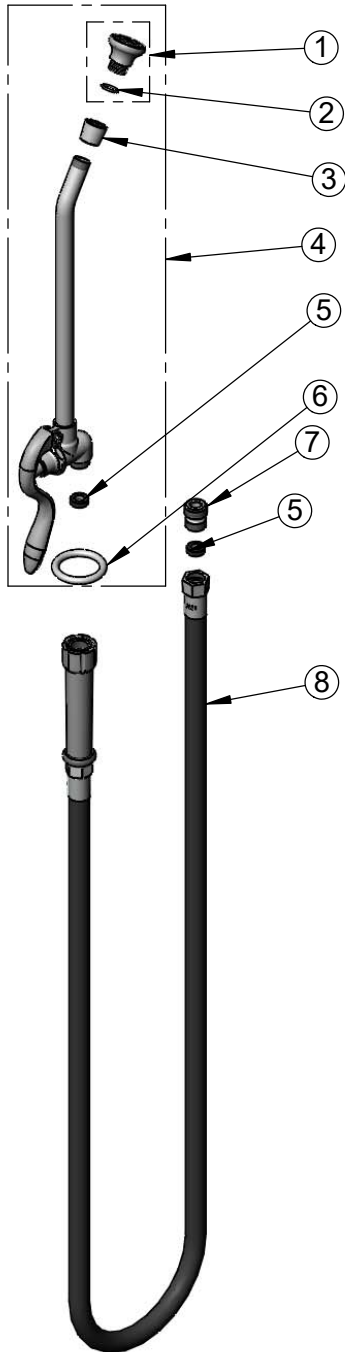


T&S BRASS AND BRONZE WORKS, INC.
 2 Saddleback Cove / P.O. Box 1088
 Travelers Rest, SC 29690

Model No.
B-0690

Item No.

Travelers Rest, SC: 800-476-4103 • Simi Valley, CA: 800-423-0150 • Fax: 864-834-3518 • www.tsbrass.com



ITEM NO.	SALES NO.	DESCRIPTION
1	B-0103	2.2 GPM Rosespray, 3/8-18 NPT Male
2	006575-45	-015 O-Ring
3	020205-40	Adapter, 5/8-27 UN x 3/8-18 NPSM
4	002865-40	Extended Spray Wand
5	010476-45	#27 Washer
6	000907-45	Spray Valve Hold Down Ring
7	055A	Adapter, 1/2 NPT Male
8	B-0068-R	68" Reinforced PVC Hose w/ Handle

Product Specifications:
 Bedpan Washer w/ Self-Closing Spray Valve, Extended 2.2 GPM Rosespray Outlet, 68" Reinforced PVC Hose & 1/2" NPT Male Adapter

Product Compliance:
 ASME A112.18.1 / CSA B125.1
 2019 DOE PRSV Non-Compliant