



T&S BRASS AND BRONZE WORKS, INC.
 2 Saddleback Cove / P.O. Box 1088
 Travelers Rest, SC 29690

Model No.
B-0678-01

Item No.

Travelers Rest, SC: 800-476-4103 • Simi Valley, CA: 800-423-0150 • Fax: 864-834-3518 • www.tsbrass.com

This Space for Architect/Engineer Approval

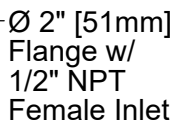
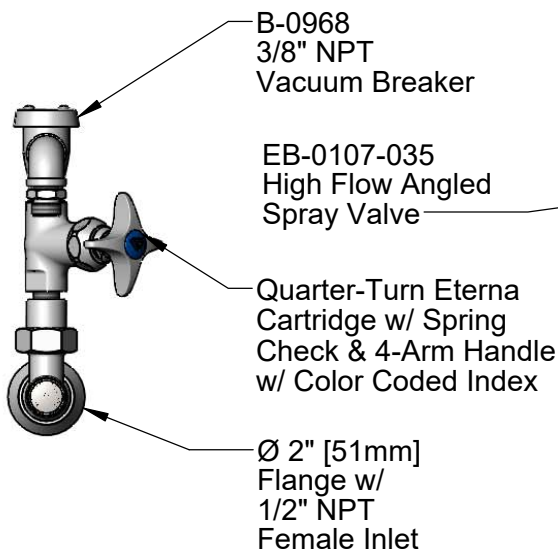
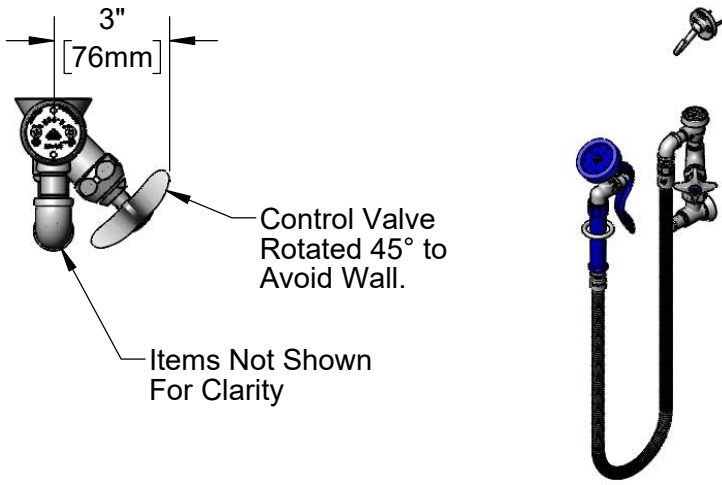
Job Name _____ Date _____

Model Specified _____ Quantity _____

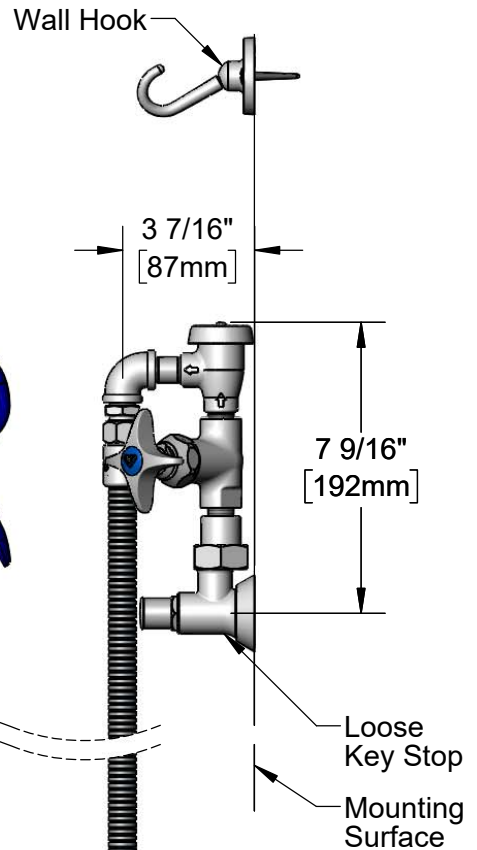
Customer/Wholesaler _____

Contractor _____

Architect/Engineer _____



1200mm
Flexible
Stainless
Steel Hose



Product Specifications:

Bed Pan Washer, 1200mm Flexible Stainless Steel Hose w/ High Flow Angled Spray Valve, Loose Key Angle Stop, 3/8" NPT Vacuum Breaker, Wall Hook, Quarter-Turn Eterna Cartridge w/ Spring Check, 4-Arm Handle and 1/2" NPT Inlets

Product Compliance:

ASME A112.18.1 / CSA B125.1
 NSF 61 Exempt (Non-Potable)
 ASSE 1001 (VB)
 2019 DOE PRSV Non-Compliant

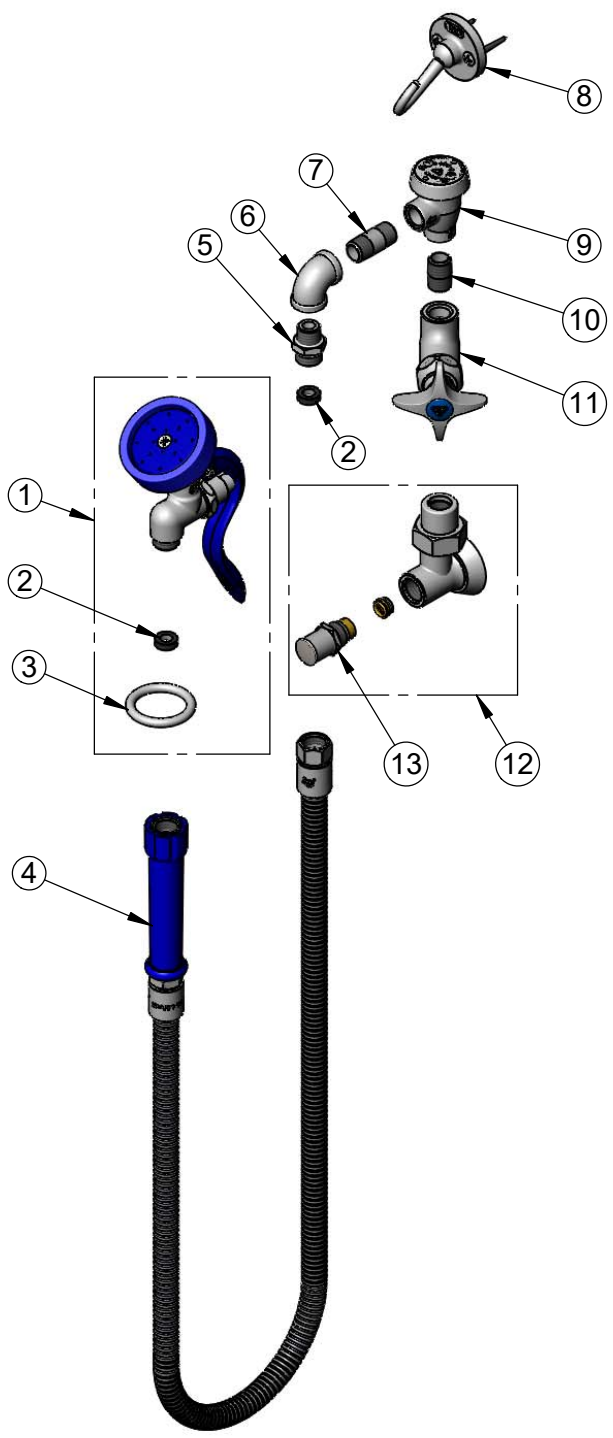


T&S BRASS AND BRONZE WORKS, INC.
 2 Saddleback Cove / P.O. Box 1088
 Travelers Rest, SC 29690

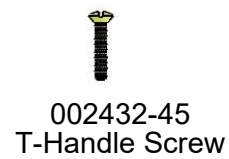
Model No.
B-0678-01

Item No.

Travelers Rest, SC: 800-476-4103 • Simi Valley, CA: 800-423-0150 • Fax: 864-834-3518 • www.tsbrass.com



ITEM NO.	SALES NO.	DESCRIPTION
1	EB-0107-035	High Flow Angled Spray Valve
2	010476-45	#27 Washer
3	000907-45	Spray Valve Hold Down Ring
4	EB-0120-CMH	1200mm Flexible Stainless Steel Hose w/ Blue Handle
5	053A	Adapter, 3/8" NPT x 3/4-14UN
6	001355-40	Elbow, 3/8 NPT
7	002341-40	Nipple, 3/8" NPT x 1-1/2"
8	B-0104-D	Dummy Wall Hook Bracket
9	B-0968	3/8" NPT Vacuum Breaker
10	002535-25	3/8" Close Nipple
11	007010-40NS	Straight Stop w/ Eterna Cartridge w/ Spring Check, 4-Arm Handle & Blue Index
12	B-1351	Loose Key, 1/2" NPT Angled Stop w/ Tee Handle & Screw
13	166A	Service Stop Spindle w/ Cap, Handle & Screw



Product Specifications:
 Bed Pan Washer, 1200mm Flexible Stainless Steel Hose w/ High Flow Angled Spray Valve, Loose Key Angle Stop, 3/8" NPT Vacuum Breaker, Wall Hook, Quarter-Turn Eterna Cartridge w/ Spring Check, 4-Arm Handle and 1/2" NPT Inlets

Product Compliance:
 ASME A112.18.1 / CSA B125.1
 NSF 61 Exempt (Non-Potable)
 ASSE 1001 (VB)
 2019 DOE PRSV Non-Compliant