

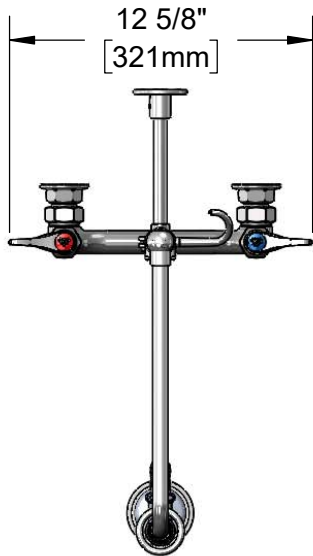


T&S BRASS AND BRONZE WORKS, INC.
 2 Saddleback Cove / P.O. Box 1088
 Travelers Rest, SC 29690

Model No.
B-0131-CR-B

Item No.

Travelers Rest, SC: 800-476-4103 • Simi Valley, CA: 800-423-0150 • Fax: 864-834-3518 • www.tsbrass.com



This Space for Architect/Engineer Approval

Job Name _____ Date _____

Model Specified _____ Quantity _____

Customer/Wholesaler _____

Contractor _____

Architect/Engineer _____

Items Not Shown For Clarity

20" Flexible Stainless Steel Hose Assembly

3/8" NPT x 26" Riser

Finger Hook

Quarter-Turn Cerama Cartridges w/ Check Valves & Lever Handles w/ Color Coded Indexes

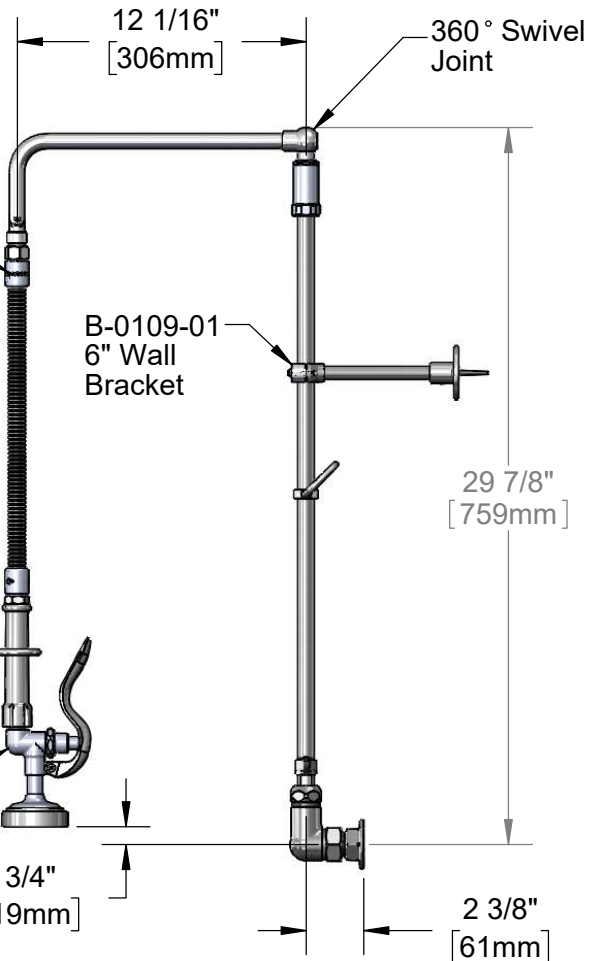
B-0107 1.15 GPM Spray Valve

Ø2" [51mm] Flanges w/ 1/2" NPT Female Inlets

3 11/16" [93mm]

8" [203mm]

Adjustable From 7 3/4" to 8 1/4" [197mm to 210mm]



Product Specifications:
 8" Wall Mount Pre-Rinse Unit w/ Lever Handles, 1/2" NPT Female Inlets, Quarter-Turn Cerama Cartridges w/ Check Valves, 26" Riser, 20" Flexible Stainless Steel Hose, Overhead Swivel Assembly, 1.15 GPM Spray Valve & 6" Wall Bracket

Product Compliance:
 ASME A112.18.1 / CSA B125.1
 NSF 61 - Section 9
 NSF 372 (Low Lead Content)
 2019 DOE PRSV - Class II



T&S BRASS AND BRONZE WORKS, INC.

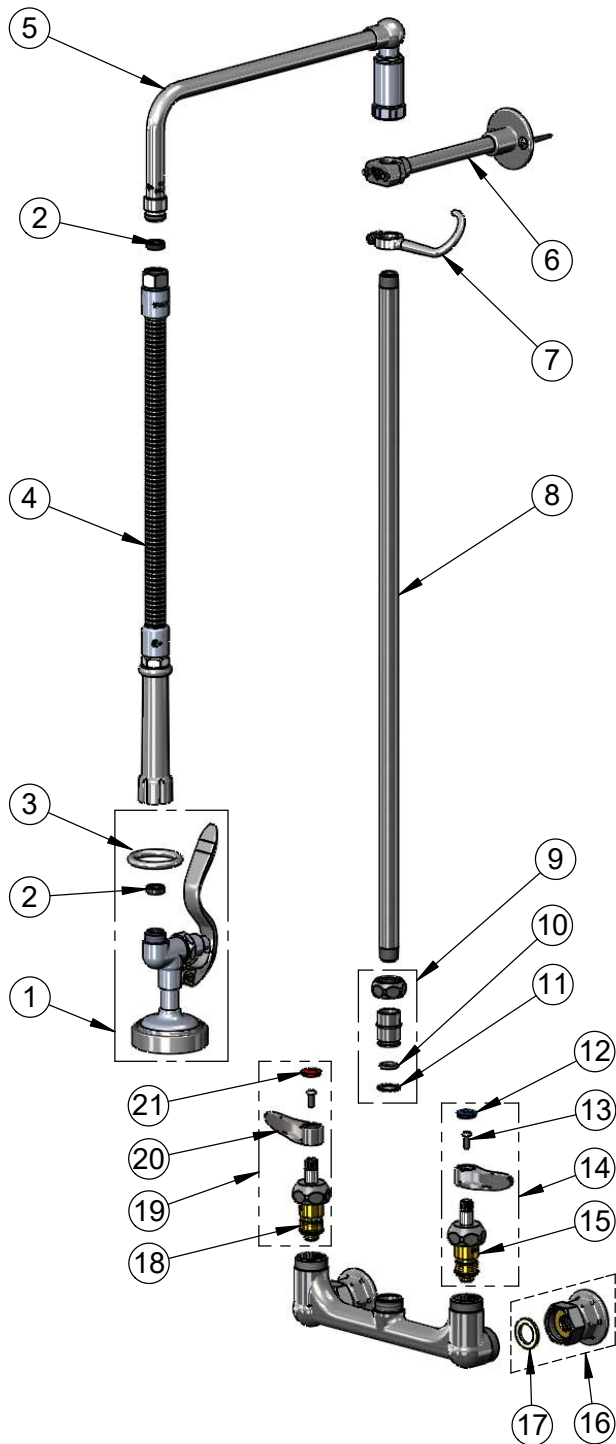
2 Saddleback Cove / P.O. Box 1088
Travelers Rest, SC 29690

Model No.

B-0131-CR-B

Item No.

Travelers Rest, SC: 800-476-4103 • Simi Valley, CA: 800-423-0150 • Fax: 864-834-3518 • www.tsbrass.com



ITEM NO.	SALES NO.	DESCRIPTION
1	B-0107	1.15 GPM Spray Valve
2	010476-45	#27 Washer
3	000907-45	Spray Valve Hold Down Ring
4	B-0020-H	20" Flexible Stainless Steel Hose w/ Grip Handle
5	002882-40	12" "L" Tube Assembly
6	B-0109-01	6" Wall Bracket
7	004R	Finger Hook
8	000373-40	3/8" NPT x 26" Riser
9	EZ-K	EasyInstall Kit
10	001065-45	O-ring
11	014200-45	Star Washer, Anti-Rotation
12	018506-19NS	Blue Button Index, Press-in
13	000925-45	Lab Handle Screw
14	012447-25NS	Quarter-Turn Cerama Cartridge w/ Check Valve, Handle, Blue Index & Screw, LTC
15	012395-25NS	Quarter-Turn Cerama Cartridge w/ Check Valve, LTC
16	00AA	1/2" NPT Female Eccentric Flange
17	001019-45	Coupling Nut Washer
18	012394-25NS	Quarter-Turn Cerama Cartridge w/ Check Valve, RTC
19	012446-25NS	Quarter-Turn Cerama Cartridge w/ Check Valve, Handle, Red Index & Screw, RTC
20	001638-45NS	Lever Handle (New Style)
21	001193-19NS	Red Button Index, Press-in

Product Specifications:
8" Wall Mount Pre-Rinse Unit w/ Lever Handles, 1/2" NPT Female Inlets, Quarter-Turn Cerama Cartridges w/ Check Valves, 26" Riser, 20" Flexible Stainless Steel Hose, Overhead Swivel Assembly, 1.15 GPM Spray Valve & 6" Wall Bracket

Product Compliance:
ASME A112.18.1 / CSA B125.1
NSF 61 - Section 9
NSF 372 (Low Lead Content)
2019 DOE PRSV - Class II