



Faucets

5F-4WWX03

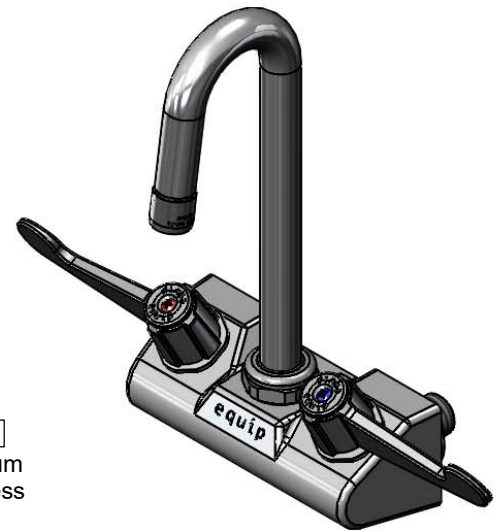
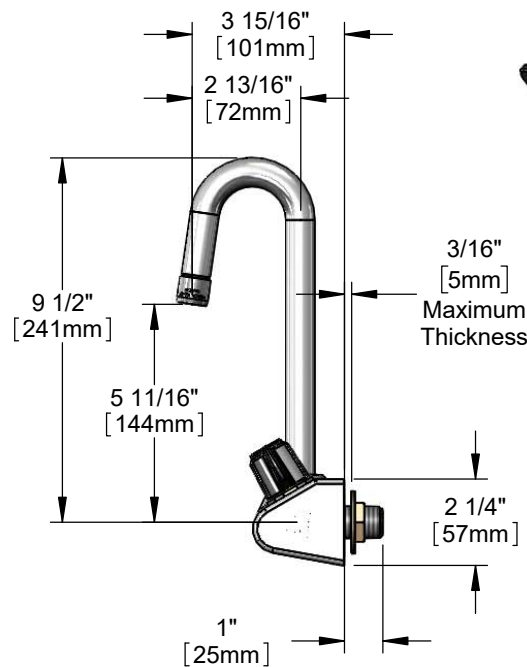
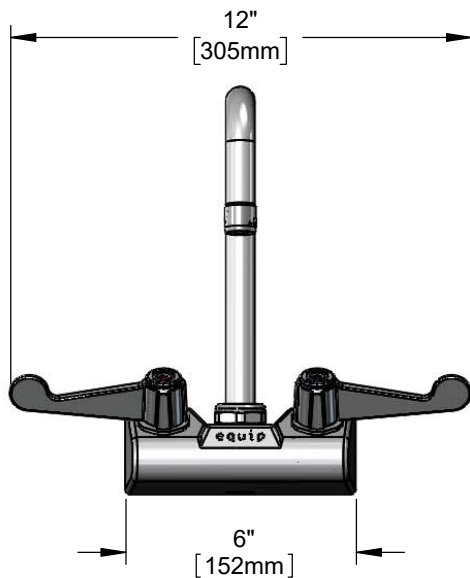
TAG:

4" Wall Mount Faucet

Architect/Engineering Specifications:

4" wall mount mixing faucet with polished chrome plated brass body, 3" equip swivel gooseneck with 2.2 GPM aerator, ceramic cartridges, 4" wrist action handles and 1/2" NPT male inlets. Certified to ASME A112.18.1\CSA B125.1, NSF 61-Section 9 and NSF 372. Meets ADA ANSINCC A117.1 requirements.

Job Name _____
 Model Specified _____ Quantity _____
 Variations Specified _____
 Date _____



Features & Benefits:

- 4" wall mount mixing faucet w/ polished chrome plated brass body
- 3" equip swivel gooseneck w/ 2.2 GPM aerator
- Quarter-turn ceramic cartridges
- 4" wrist action handles w/ color codes screws
- 1/2" NPT male inlets
- Material: Polished chrome plated brass body & chrome plated metal handles

Product Compliance:

- ASME A112.18.1 / CSA B125.1
- NSF 61 - Section 9
- NSF 372 (Low Lead Content)
- ANSI A117.1 (ADA)

Warranty: One Year (Limited)

Performance Data:

- Pressure: 20 - 125 psi [1.38 - 8.62 bar]
- Temperature: 40°F - 140°F [4.44°C - 60°C]
- Flow Rate: 2.2 GPM [8.33 L/min] @ 60 psi [4.14 bar]



ADA Compliant



equip Foodservice Accessories



• 2 Saddleback Cove • Travelers Rest, SC 29690
Ph 800-891-4808 • Fax 800-868-0084
www.tsbrass.com

Date: 02/19/21