



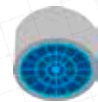
RELIABILITY BUILT IN™

SUSTAINABILITY BUILT IN

LOW COST OF OWNERSHIP BUILT IN



UK CATALOG



CERTIFICATION

As a leader in quality manufacturing, T&S Brass proudly displays certificates that demonstrate that we have met the stringent standards developed by the International Standardization Organization (ISO), ASME International, NSF International and CSA International (Canadian Standards Association).

Our company's ISO-9001:2015 certification is based on an evaluation of its performance of the various jobs and processes that potentially affect product quality. T&S guarantees its products will be manufactured to the highest standards in the industry with the finest craftsmanship possible.

Underwriters Laboratories plays a key role in evaluating how T&S meets the ISO-9001:2015 standard. As the Quality Systems Registrar, UL DQS Inc. is responsible for the entire registration process and oversees periodic assessments to help T&S maintain its goal of exceeding customer expectations for quality manufacturing and service.

CSA International handles the vast majority of third-party testing and certifications for T&S Brass products. These product certifications are a further demonstration of our company's commitment to the needs of our customers and their communities. Following an evaluation for both the leaching of contaminants into drinking water from faucets and the mechanical quality standards, T&S pre-rinse units and drinking water and lavatory faucets meet or exceed the NSF/ANSI Standard 61, Section 9 standard for Drinking Water Systems (Health Effects) and the ASME A112.18.1 / CSA B125.1 standard for mechanical quality. In short, T&S products are both safe for use within any drinking water system and adhere to the mechanical quality standards for ease of installation, operation, and reliability.

By meeting or exceeding the standards set by these internationally recognized organizations, we demonstrate our commitment to deliver the highest quality products to customers around the world.

At T&S Brass, we are pleased to take a leading role in innovating and developing fixture fittings. Look to T&S's website, www.tsbrass.com for news and products related to and the newly released NSF/ANSI 372 Drinking Water Systems Components – Lead Content. Contact your sales representative or T&S customer service for more information. And enjoy the confidence that comes with Reliability Built In™.



T&S HISTORY AND AWARDS

T&S was founded in 1947 by George Theisen and Carl Spatt, who developed the very first pre-rinse unit and the foot pedal valve, both of which set the foodservice industry standard. The products depict our dedication to sustainability through innovation & design, regional priority, the use of 98-99% recycled metals, using better metal materials, managing wastewater effluent, reducing paper and cardboard waste, and developing products that can help achieve credits for LEED certification in Water and Energy Efficiency.

T&S has received numerous awards, including the Silver Crescent Award in 2015, the most prestigious award for manufacturers in South Carolina. It was also named *Manufacturer of the Year* by the South Carolina Chamber of Commerce and was selected by Industry Week as *Best Plants Winner* in 2014 and again in 2018.


SUSTAINABILITY STATEMENT

From the past, present and into the future, T&S Brass is committed to sustainability. Protecting our planet's resources begins with the materials we select to use, continues through our manufacturing process, and ends with an environmentally friendly product solution.

Furthermore, through metrics and monitoring, we are continuously looking for new and better ways to improve the lifecycle of our products and reduce our corporate carbon footprint. We pay attention to the changing needs of the environment and market, and are fully committed to developing innovative solutions for the buildings and facilities that rely on T&S Brass.



UK CERAMIC CARTRIDGES T&S offers a commercial cartridge designed for heavy use in both foodservice and plumbing applications. It provides rugged durability and can withstand temperatures of up to 140° F (60° C). The integrated cartridge baffles at the outlets reduce water hammer and provide quiet operation. They are Quarter-Turn Ceramic Disk Cartridges, are replaceable, and have a three (3) year warranty.





RELIABILITY BUILT IN™

PRODUCTS • RESOURCES • SUSTAINABILITY • MARKETS •

INTERNATIONAL •

ABOUT •

CONTACT •

LOGIN •

Product Search



/International/United_Kingdom/

Choose Region

T&S Brass United Kingdom

- Canada
- Mexico, Central America and Caribbean
- South America
- United Kingdom
- Western Europe
- Eastern Europe
- Middle East and India
- Sub-Saharan Africa
- Asia
- New Zealand

Why Choose T&S?

To Save Money, Time, and Energy. Here's how:



Experience:

T&S Brass and Bronze Works, Inc., founded in 1947, introduced the industry's first pre-rinse unit, followed by key innovations like the foot pedal valve over the next decade.

T&S Brass in the United Kingdom

We are ready to supply what our customers need, wherever they are.



Durability: T&S Brass manufactures the best constructed products in the market, many of which are made in the USA, and undergo rigorous testing.

Interchangeability: Within the product line, you can exchange parts and customize each product to suit your need.

Variety of Products for Various Industries: You will find a huge selection of products for nearly every type of industry.

Certifications and Name Recognition: Not only do we have a large series of certifications, underlining the quality we offer, but T&S is a name everyone recognizes and respects.

Proactive Water Conservation: T&S offers you solutions to save tremendous amounts of water in virtually any situation.

Family-Owned and Experienced: Since T&S's invention of the Pre-Rinse Units in 1947, T&S has been operated as a family business, treating our customers as one of their own while offering professional service and products of the highest quality.

Fast Shipping and Service Support: Need a part immediately? T&S will assist you with fast and reliable service so you can get on with your business and life.

Quality and Reliability: T&S products are highly acclaimed throughout the industry for being well-built, long-lasting and reliable. Rigorous testing and a focus on interchangeability have helped set T&S apart from the competition for nearly 70 years. Today, more than 300 employees manufacture products and serve customers from the company's main headquarters in South Carolina with many more working behind the scenes at distribution facilities in California and China.



RELIABILITY BUILT IN™

PRODUCTS- RESOURCES- SUSTAINABILITY- MARKETS- INTERNATIONAL- ABOUT- CONTACT- LOGIN-

Cost Savings Calculator for Pre-Rinse Spray Valves and Aerators

Stop throwing money down the drain – use the water-savings calculator below to see how much T&S's Pre-Rinse Spray Valves and Low Flow Aerators can save you.

Calculator Settings

Language: English | Currency: GBP £ | Measurement: Metric

SPRAY VALVE SAVINGS		AERATOR SAVINGS		CARTRIDGE SAVINGS	
Standard spray valve:	16.09 L/min	Standard faucet water flow rate:	8.33 L/min	Standard Compression (not quarter-turn)	
T&S model flow rate:	2.46 L/min	T&S low-flow aerator water flow rate:	3.79 L/min	2.8 bar to both inlets:	68.36 L/min
Operating hours per day:	3	Number of employees/day in kitchen:	3	4.1 bar to both inlets:	87.41 L/min
Operating days per year:	365	Number of handwashes/employee/day:	8	T&S Cerama Cartridge (quarter-turn)	
Total gallons saved in year:	895,491	Operating days per year:	365	2.8 bar to both inlets:	48.19 L/min
		Seconds per handwash:	20	4.1 bar to both inlets:	55.19 L/min
		Total liters saved in year:	13,257	* Data from testing B-0230 faucet with standard 457 mm nozzle, with index tip (screen outlet), no aerator	

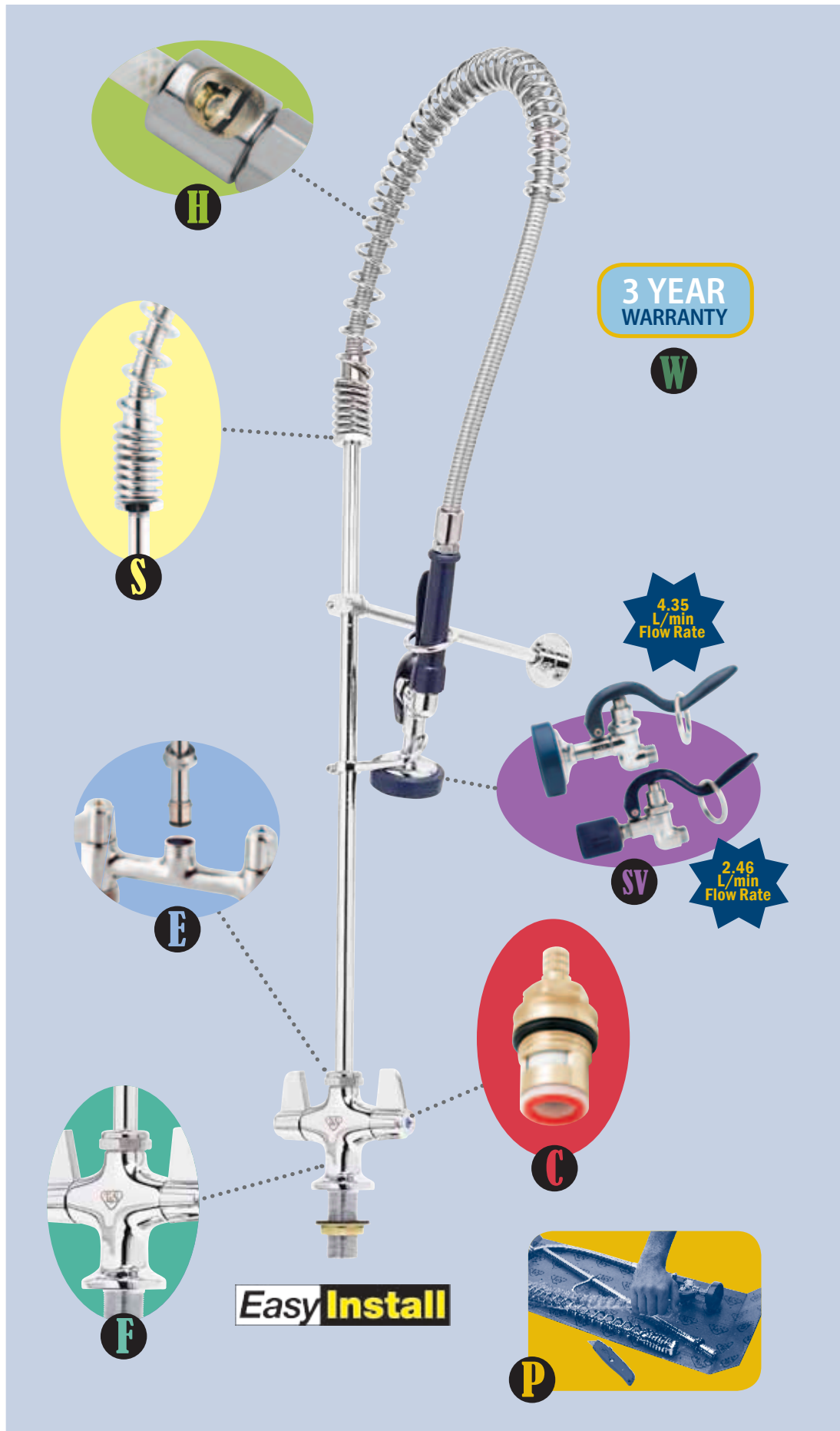
The Sustainability Standard

LEED (Leadership in Energy and Environment Design) is an internationally recognized third-party verification for high-performance sustainable buildings. Administered by the USGBC, LEED certification can apply to new construction, renovations, among many other project types. The latest LEED standard, v4, addresses increasing concern for conserving fresh water. T&S Brass is proud to offer a number of products that drastically cut water usage.

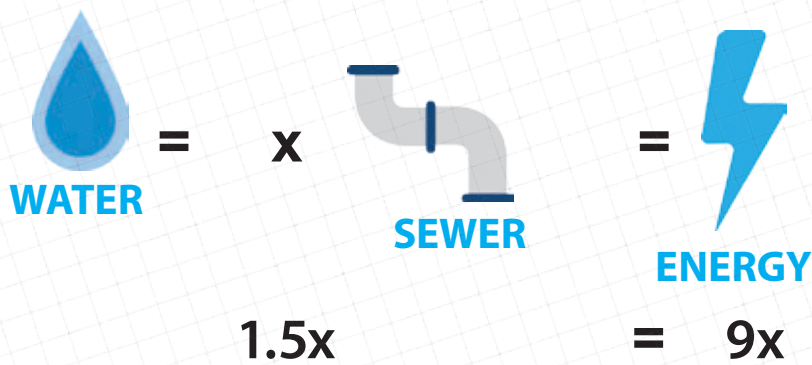
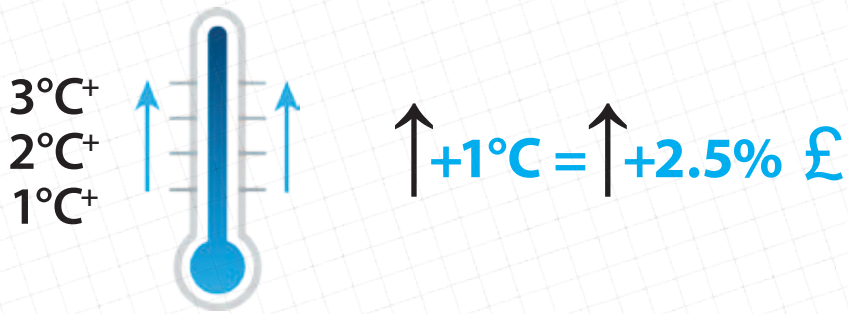
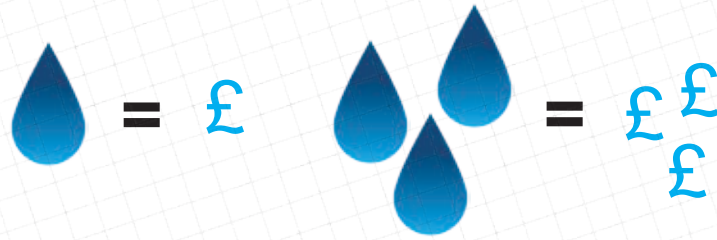


The Superior Features of a T&S **EasyInstall** Pre-Rinse Unit

- C** **CERAMIC CARTRIDGES**
 - Quarter-turn ceramic disk cartridges
 - Easily replaceable
 - One (1) year warranty
- E** **EASYINSTALL**
 - Patented design
 - Unique “pop-and-lock” riser connection that takes as little as 10 minutes to install
- F** **FAUCETS**
 - Forged one-piece base faucet eliminates leaks
 - Copper layer over casting makes smoother surface
 - Thick chrome plating
- H** **HOSES**
 - Stainless steel hoses with double interlocked covers for long life
 - Sealed ends prevent tears
 - Vinyl nylon reinforced inner hose tested to 82 Bar (1200 PSI)
- P** **PACKAGING**
 - Pre-assembled parts are ready for quick installation
 - Fewer parts to misplace
- S** **SPRING**
 - Specially designed spring reinforced at the stress point where hose connects
 - Protects and extends life of hose
- SV** **SPRAY VALVES**
 - Significant water savings with low-flow rates
 - Uncompromising performance
 - Tested to over 1.5 million cycles
- W** **WARRANTY**
 - Long 3-year warranty on your T&S EasyInstall PRU

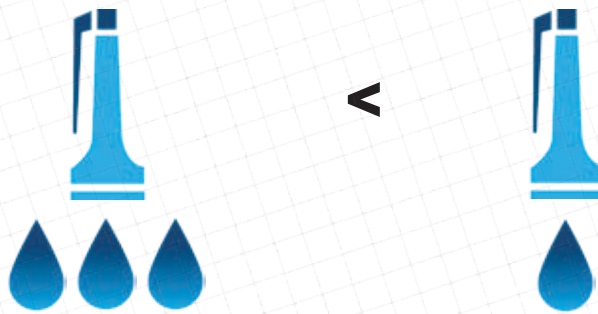


WATER IS NOT JUST WATER.



STANDARD

T&S LOW FLOW



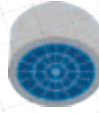
T&S WATER SAVINGS.

STANDARD



68 L/min

+



=



8.3 L/min

SAVE 130,000+ LITERS annually



1

DROP

=

11,356
liters PER YEAR

per second

T&S ELECTRONIC SENSOR FAUCETS



SAVE
3.79 L
per handwash



15 L
per person
per day



per 24 h

=

11,356 L ÷ 15 L
757 Days of water

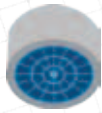
WORLD HEALTH ORGANIZATION





T&S Brass and Bronze Works, Inc.

T&S Certification / History / Awards / Sustainability	2
Why Choose T&S	3
T&S Can Help You Save / Water Conservation	4-7
Exploded View Pre-Rinse Units / Parts	10
Pre-Rinse Units	11-21
Pre-Rinse Accessories	22-25
Faucets	26-30
Faucet Accessories	31-32
Hose Reels	34-37
Hose Reel Accessories	38-39
ChekPoint Electronic Sensor Faucets	40-41
Glass Fillers	42-43
Waste Valves	43
Parts and Accessories for all models	44-47
Index	48-49
Hyperlinks for Models	50-55
Companies Using T&S Products	56
T&S Company Mission / Statement / Warranty	57



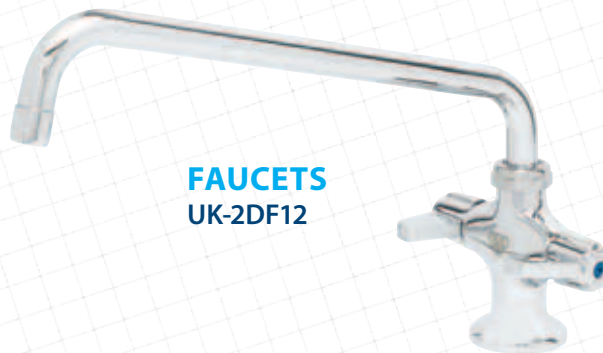
SUSTAINABILITY BUILT IN
LOW COST OF OWNERSHIP BUILT IN



PRE-RINSE UNITS
UK-2DP12



**ELECTRONIC
SENSOR FAUCETS**
UK-3102



FAUCETS
UK-2DF12

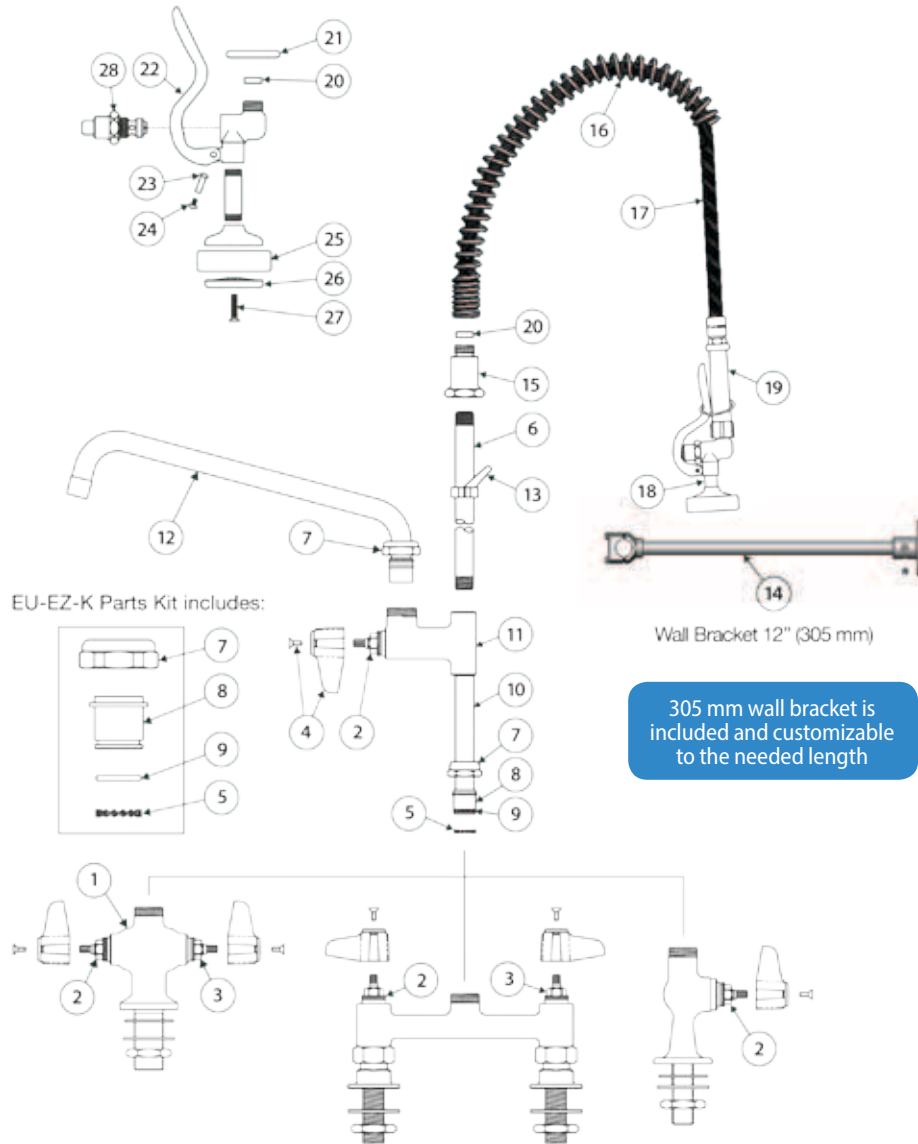


RELIABILITY BUILT IN™

PRE-RINSE UNIT PARTS

Exploded View of Pre-Rinse Units

Pre-Rinse Unit options



305 mm wall bracket is included and customizable to the needed length

Body Faucet Assembly

- 1 014674-40 Single Hole Deck Mount Faucet
- 2 013788-45 Ceramic Cartridge – Cold
- 3 013787-45 Ceramic Cartridge – Hot
- 4 E-HDL-L Handle, Hot & Cold Color Screws
- 5 014200-45 Lock Washer

Riser Assembly

- 6 000369-40 Riser, 3/8" x 457 mm
- 014610-40 Riser, 3/8" x 533 mm
- 000372-40 Riser, 3/8" x 610 mm
- 000374-40 Riser, 3/8" x 711 mm
- 7 013839-25 Swivel Nut
- 8 013957-25 Bushing
- 9 013838-45 O-Ring
- 10 000358-40 Nipple, 3/8" x 76 mm
- 000361-40 Nipple, 3/8" x 127 mm
- 11 EU-AF00 Add-On Faucet

- 12 ES-06 Swing Nozzle, 156 mm
- ES-08 Swing Nozzle, 206 mm
- ES-10 Swing Nozzle, 257 mm
- ES-12 Swing Nozzle, 308 mm
- 13 004R Assembly, Finger Hook & Screw
- 14 B-0109-03 Wall Bracket, 305 mm
- Pre-Rinse Unit
- 15 000821-40 Spring, Body
- 16 000888-45 Spring, Overhead
- 17 EB-0020-H Asm, 508 mm Flex S.S. Hose
- UK-0040-H 1016 mm Flex S.S. Hose
- 18 UK-0107 Asm, Spray Valve (2019 DOE Class II Compliant)
- EB-0107-C Asm, Low Flow Spray Valve (2019 DOE Class I Compliant)

Spray Valve Assembly

- 19 011482-40 Handle, Grip
- 20 010476-45 Washer
- 21 000907-45 Ring, Hold Down
- 22 011454-45 Handle, Squeeze Valve
- 23 003198-45 Nut, Handle
- 24 003199-45 Screw, Handle
- 25 011475-45 Ring, Sprayhead
- 26 017288-45 Sprayface
- 27 000913-45 Screw, Sprayface
- 28 010594-40 Assembly, Bonnet

PRE-RINSE UNITS



3 YEAR WARRANTY

EasyInstall

UK-1DP Series

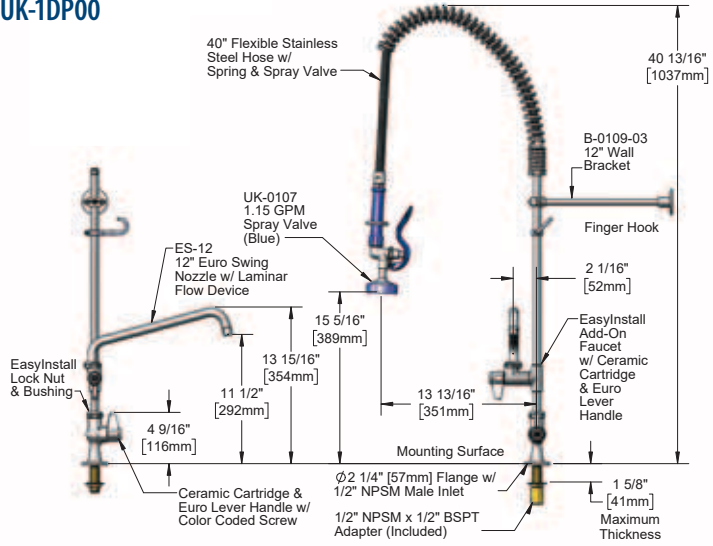
All products on this page are single hole, single temperature Pre-Rinse Units



BASE MODEL: UK-1DP00

EXAMPLE: UK-1DP12

UK-1DP00



UK-1DP00 Model	Description
UK-1DP00	No add-on faucet
UK-1DP06	156 mm (6") AOF
UK-1DP08	206 mm (8") AOF
UK-1DP10	257 mm (10") AOF
UK-1DP12	308 mm (12") AOF



UK-0107
4,35 L/min
1.15 GPM



UK-1DP00-J Model	Description
UK-1DP06-J	156 mm (6") AOF
UK-1DP08-J	206 mm (8") AOF
UK-1DP10-J	257 mm (10") AOF
UK-1DP12-J	308 mm (12") AOF



EB-0107-J
4,05 L/min
1.07 GPM



UK-1DP00-L Model	Description
UK-1DP06-L	156 mm (6") AOF
UK-1DP08-L	206 mm (8") AOF
UK-1DP10-L	257 mm (10") AOF
UK-1DP12-L	308 mm (12") AOF



EB-0107-C
2,46 L/min
0.65 GPM



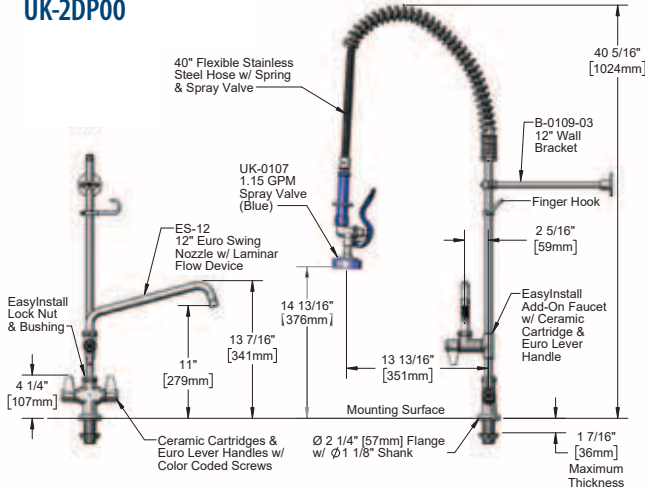
PRE-RINSE UNITS

UK-2DP Series

All products on this page are single hole, deck-mount mixing Pre-Rinse Units



UK-2DP00



EXAMPLE: UK-2DP12



BASE MODEL: UK-2DP00



EXAMPLE: UK-2DP00-L



UK-0107
4,35 L/min
1.15 GPM



UK-2DP00 Model	Description
UK-2DP00	No add-on faucet
UK-2DP06	156 mm (6") AOF
UK-2DP08	206 mm (8") AOF
UK-2DP10	257 mm (10") AOF
UK-2DP12	308 mm (12") AOF



EB-0107-J
4,05 L/min
1.07 GPM



UK-2DP00-J Model	Description
UK-2DP06-J	156 mm (6") AOF
UK-2DP08-J	206 mm (8") AOF
UK-2DP10-J	257 mm (10") AOF
UK-2DP12-J	308 mm (12") AOF



EB-0107-C
2,46 L/min
0.65 GPM



UK-2DP00-L Model	Description
UK-2DP06-L	156 mm (6") AOF
UK-2DP08-L	206 mm (8") AOF
UK-2DP10-L	257 mm (10") AOF
UK-2DP12-L	308 mm (12") AOF

PRE-RINSE UNITS



3 YEAR WARRANTY

Easy Install

UK-6DP Series

All products on this page are two hole, deck-mount mixing Pre-Rinse Units with 152 mm (6") bodies

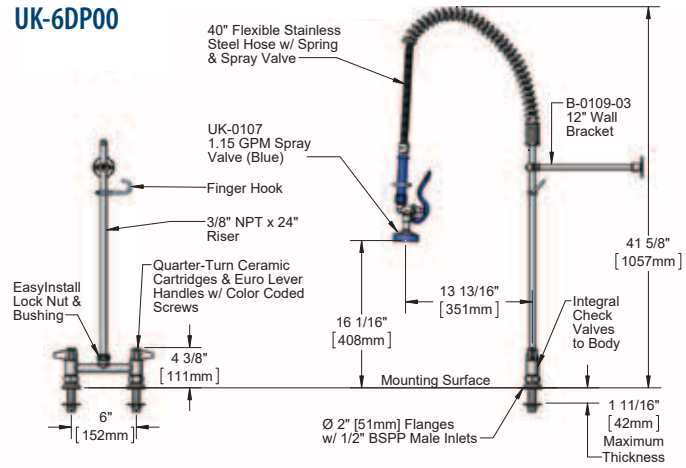


BASE MODEL:
UK-6DP00



EXAMPLE:
UK-6DP12-L

UK-6DP00



UK-6DP00 Model	Description
UK-6DP00	No add-on faucet
UK-6DP06	156 mm (6") AOF
UK-6DP08	206 mm (8") AOF
UK-6DP10	257 mm (10") AOF
UK-6DP12	308 mm (12") AOF



UK-6DP00-J Model	Description
UK-6DP06-J	156 mm (6") AOF
UK-6DP08-J	206 mm (8") AOF
UK-6DP10-J	257 mm (10") AOF
UK-6DP12-J	308 mm (12") AOF



UK-6DP00-L Model	Description
UK-6DP06-L	156 mm (6") AOF
UK-6DP08-L	206 mm (8") AOF
UK-6DP10-L	257 mm (10") AOF
UK-6DP12-L	308 mm (12") AOF



UK-0107
4,35 L/min
1.15 GPM



EB-0107-J
4,05 L/min
1.07 GPM



EB-0107-C
2,46 L/min
0.65 GPM



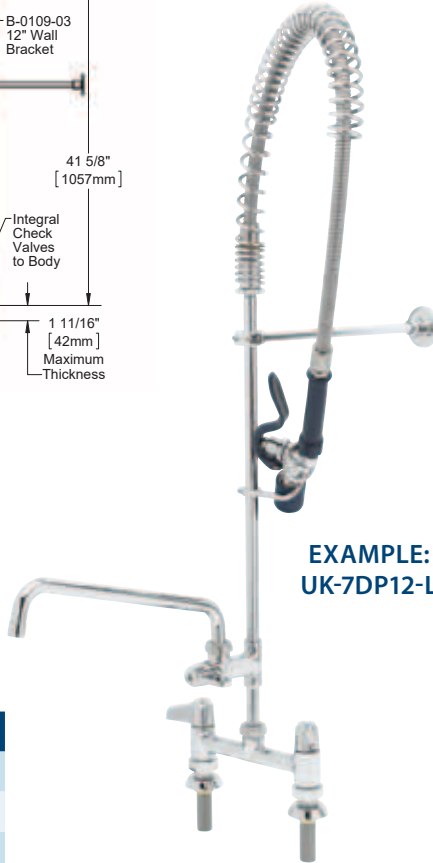
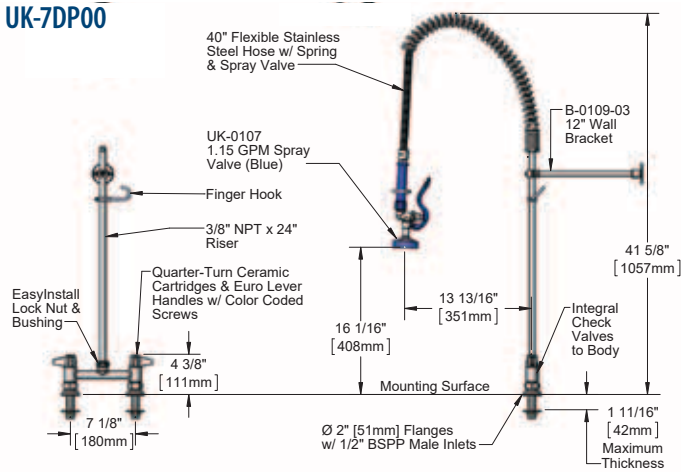
PRE-RINSE UNITS

UK-7DP Series

All products on this page are two hole, deck-mount mixing Pre-Rinse Units with 180 mm (7") bodies



UK-7DP00



EXAMPLE: UK-7DP12-L



BASE MODEL: UK-7DP00



UK-0107
4,35 L/min
1.15 GPM



UK-7DP00 Model	Description
UK-7DP00	No add-on faucet
UK-7DP06	156 mm (6") AOF
UK-7DP08	206 mm (8") AOF
UK-7DP10	257 mm (10") AOF
UK-7DP12	308 mm (12") AOF



EB-0107-J
4,05 L/min
1.07 GPM



UK-7DP00-J Model	Description
UK-7DP06-J	156 mm (6") AOF
UK-7DP08-J	206 mm (8") AOF
UK-7DP10-J	257 mm (10") AOF
UK-7DP12-J	308 mm (12") AOF



EB-0107-C
2,46 L/min
0.65 GPM



UK-7DP00-L Model	Description
UK-7DP06-L	156 mm (6") AOF
UK-7DP08-L	206 mm (8") AOF
UK-7DP10-L	257 mm (10") AOF
UK-7DP12-L	308 mm (12") AOF

PRE-RINSE UNITS



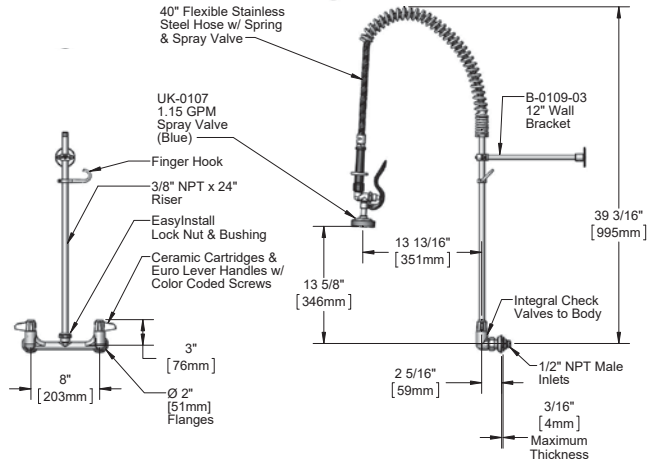
3 YEAR WARRANTY

EasyInstall

UK-8WP-EE Series

All products on this page are two hole, wall-mount mixing Pre-Rinse Units with 203 mm (8") bodies

UK-8WP00-EE



UK-8DP00-EE Model	Description
UK-8DP00-EE	No add-on faucet
UK-8DP06-EE	156 mm (6") AOF
UK-8DP08-EE	206 mm (8") AOF
UK-8DP10-EE	257 mm (10") AOF
UK-8DP12-EE	308 mm (12") AOF



UK-8DP00-EE-J Model	Description
UK-8DP06-EE-J	156 mm (6") AOF
UK-8DP08-EE-J	206 mm (8") AOF
UK-8DP10-EE-J	257 mm (10") AOF
UK-8DP12-EE-J	308 mm (12") AOF

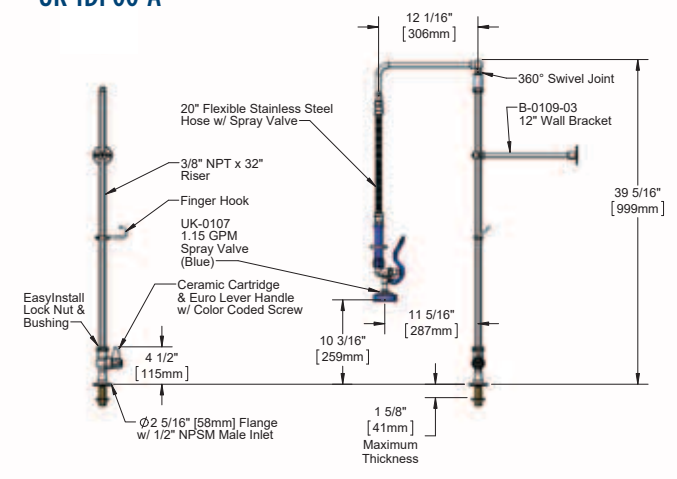
PRE-RINSE UNITS

UK-1DP-A Series

All products on this page are single hole, single-temperature deck-mount Pre-rinse Units and overhead swivel arm



UK-1DP00-A



UK-1DP00-A



UK-0107
4,35 L/min
1.15 GPM



UK-1DP00-A Model	Description
UK-1DP00-A	No add-on faucet
UK-1DP06-A	156 mm (6") AOF
UK-1DP08-A	206 mm (8") AOF
UK-1DP10-A	257 mm (10") AOF



EB-0107-J
4,05 L/min
1.07 GPM



UK-1DP00-JA Model	Description
UK-1DP06-JA	156 mm (6") AOF
UK-1DP08-JA	206 mm (8") AOF
UK-1DP10-JA	257 mm (10") AOF
UK-1DP12-JA	308 mm (12") AOF



EB-0107-C
2,46 L/min
0.65 GPM



UK-1DP00-LA Model	Description
UK-1DP06-LA	156 mm (6") AOF
UK-1DP08-LA	206 mm (8") AOF
UK-1DP10-LA	257 mm (10") AOF
UK-1DP12-LA	308 mm (12") AOF

PRE-RINSE UNITS



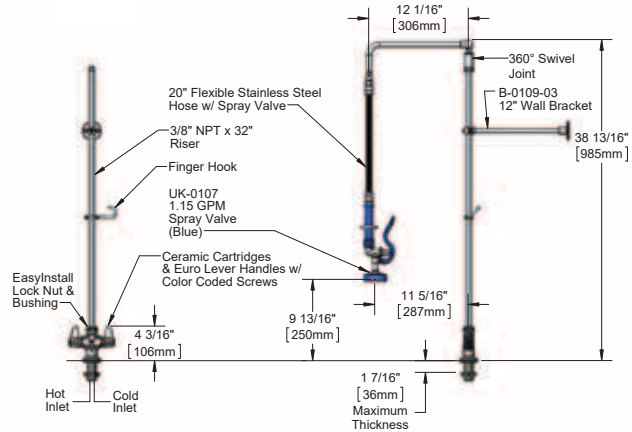
3 YEAR WARRANTY

EasyInstall

UK-2DP-A Series

All products on this page are single hole, deck-mount mixing Pre-Rinse Units and overhead swivel arm

UK-2DP00-A



UK-2DP00-A



UK-2DP12-A



UK-0107
4,35 L/min
1.15 GPM



UK-2DP00 Model	Description
UK-2DP00-A	No add-on faucet
UK-2DP06-A	156 mm (6") AOF
UK-2DP08-A	206 mm (8") AOF
UK-2DP10-A	257 mm (10") AOF
UK-2DP12-A	308 mm (12") AOF



EB-0107-J
4,05 L/min
1.07 GPM



UK-2DP00-J Model	Description
UK-2DP06-JA	156 mm (6") AOF
UK-2DP08-JA	206 mm (8") AOF
UK-2DP10-JA	257 mm (10") AOF
UK-2DP12-JA	308 mm (12") AOF



EB-0107-C
2,46 L/min
0.65 GPM



UK-2DP00-L Model	Description
UK-2DP06-LA	156 mm (6") AOF
UK-2DP08-LA	206 mm (8") AOF
UK-2DP10-LA	257 mm (10") AOF
UK-2DP12-LA	308 mm (12") AOF

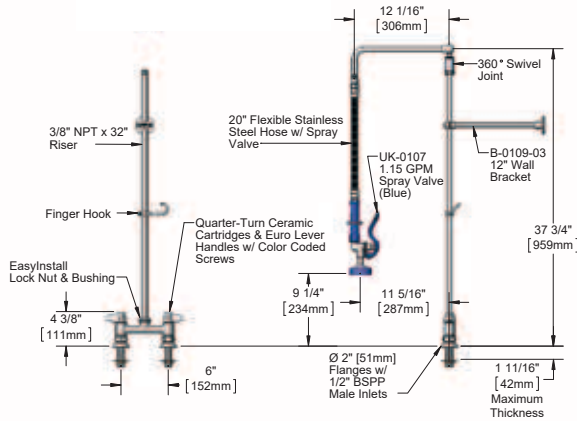
PRE-RINSE UNITS

UK-6DP-A Series

All products on this page are two hole, deck-mount mixing Pre-Rinse Units with 152 mm (6") bodies overhead swivel arm



UK-6DP00-A



UK-0107
4,35 L/min
1.15 GPM



UK-6DP00-A Model	Description
UK-6DP00-A	No add-on faucet
UK-6DP06-A	156 mm (6") AOF
UK-6DP08-A	206 mm (8") AOF
UK-6DP10-A	257 mm (10") AOF
UK-6DP12-A	308 mm (12") AOF



EB-0107-J
4,05 L/min
1.07 GPM



UK-6DP00-JA Model	Description
UK-6DP06-JA	156 mm (6") AOF
UK-6DP08-JA	206 mm (8") AOF
UK-6DP10-JA	257 mm (10") AOF
UK-6DP12-JA	308 mm (12") AOF



EB-0107-C
2,46 L/min
0.65 GPM



UK-6DP00-LA Model	Description
UK-6DP06-LA	156 mm (6") AOF
UK-6DP08-LA	206 mm (8") AOF
UK-6DP10-LA	257 mm (10") AOF
UK-6DP12-LA	308 mm (12") AOF

PRE-RINSE UNITS



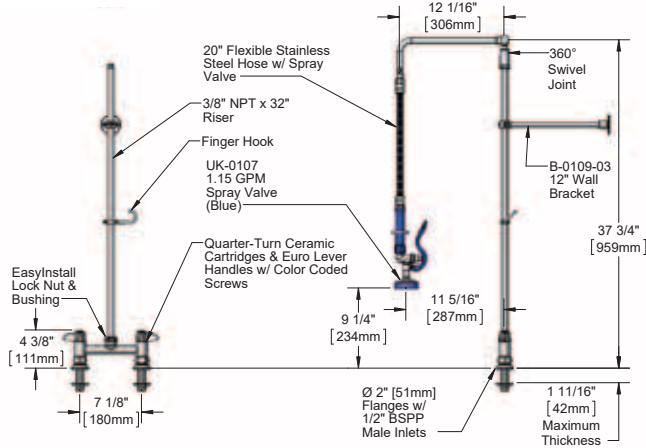
3 YEAR WARRANTY

Easy Install

UK-7DP-A Series

All products on this page are two hole, deck-mount mixing Pre-Rinse Units with 180 mm (7") bodies and overhead swivel arm

UK-7DP00-A



UK-7DP00-A



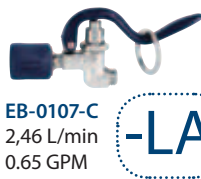
UK-7DP12-A



-A



-JA



-LA



UK-7DP00 Model	Description
UK-7DP00-A	No add-on faucet
UK-7DP06-A	156 mm (6") AOF
UK-7DP08-A	206 mm (8") AOF
UK-7DP10-A	257 mm (10") AOF
UK-7DP12-A	308 mm (12") AOF



UK-7DP00-J Model	Description
UK-7DP06-JA	156 mm (6") AOF
UK-7DP08-JA	206 mm (8") AOF
UK-7DP10-JA	257 mm (10") AOF
UK-7DP12-JA	308 mm (12") AOF



UK-7DP00-L Model	Description
UK-7DP06-LA	156 mm (6") AOF
UK-7DP08-LA	206 mm (8") AOF
UK-7DP10-LA	257 mm (10") AOF
UK-7DP12-LA	308 mm (12") AOF

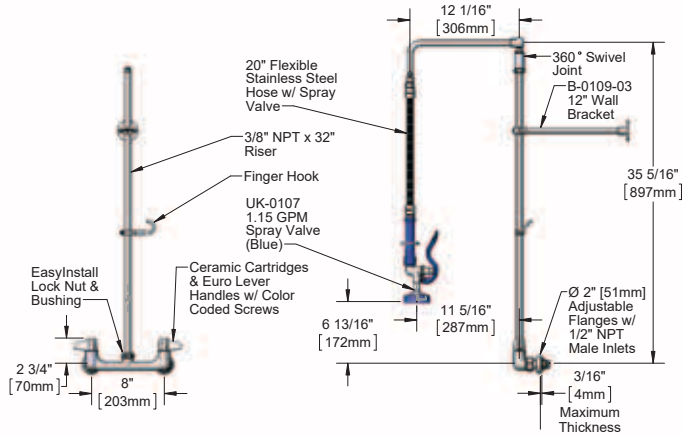
PRE-RINSE UNITS

UK-8WP-A-EE Series

All products on this page are two hole, wall-mount mixing Pre-Rinse Units with 203 mm (8") bodies and overhead swivel arm



UK-8WP00-A-EE



UK-0107
4,35 L/min
1.15 GPM

-A-EE



UK-8WP00-A-EE Model	Description
UK-8WP00-A-EE	No add-on faucet
UK-8WP06-A-EE	156 mm (6") AOF
UK-8WP08-A-EE	206 mm (8") AOF
UK-8WP10-A-EE	257 mm (10") AOF
UK-8WP12-A-EE	308 mm (12") AOF



EB-0107-J
4,05 L/min
1.07 GPM

-JA-EE



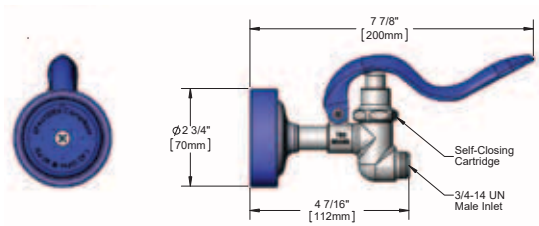
UK-8WP00-JA-EE Model	Description
UK-8WP06-JA-EE	156 mm (6") AOF
UK-8WP08-JA-EE	206 mm (8") AOF
UK-8WP10-JA-EE	257 mm (10") AOF
UK-8WP12-JA-EE	308 mm (12") AOF

SPRAY VALVES

UK-0107



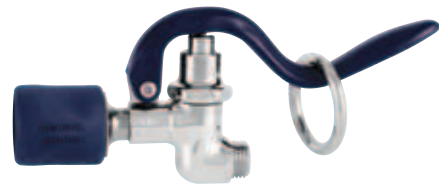
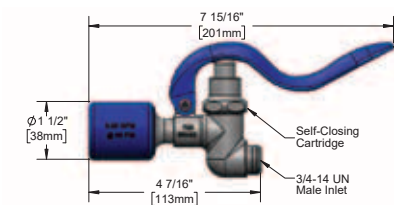
Pre-rinse standard blue spray valve, 4,35 L/min (1.15 GPM)



EB-0107-C



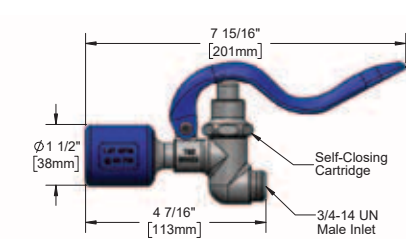
Standard blue low flow spray valve, 2,46 L/min (0.65 GPM)



EB-0107-J



Standard blue low flow spray valve, 4,05 L/min (1.07 GPM)



ADD-ON FAUCETS

EU-AF Series

Add-on faucet for pre-rinse units

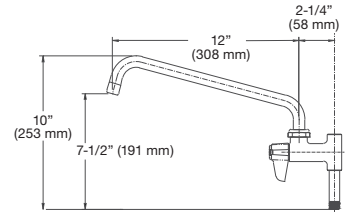
Add-On Faucet	Swing Nozzle Length
EU-AF00	Add-on faucet only, no nozzle
EU-AF06	156 mm (6")
EU-AF10	257 mm (10")
EU-AF12	308 mm (12")



EU-AF00



EU-AF12



Add-On Faucet Aerators

For Pre-rinse units / Add-on faucets



Aerator	Non-Aerated Device	Non-Aerated Device	VR Aerator
B-0199-01	B-0199-01-F10	B-0199-01-N05	B-0199-01-WS
8,3 L/min (2.2 GPM)	3,8 L/min (1.0 GPM)	1,9 L/min (0.5 GPM)	5,7 L/min (1.5 GPM)

PRE-RINSE UNIT ACCESSORIES

Wall Bracket

Standard PRU uses B-0109-03 – 305 mm (12")
 Compact PRU uses B-0109-01 – 152 mm (6")



B-0109-03



B-0109-01

EU-WH4

102 mm (4") Wrist blade handle, two colored screws



E-HDL-L

Lever handle, two colored screws



UK- Ceramic Cartridge



Standard ceramic cartridge assembly for UK- PRUs and faucets

- Hot side: 013787-45 (shown)
- Cold side: 013788-45



Pre-Rinse Swivel (018200-40)

Swivel assembly for UK- Pre-Rinse Units, provides unimpeded, smooth 360° rotation of pre-rinse spray valve

- PRU swivel: 018200-40



B-TEE-RGD

Accessory tee for PRUs; adds another water source



PRE-RINSE UNIT ACCESSORIES

011482-40

Blue grip handle assembly with 7/8-20 UN male thread inlet



011759-40

Blue grip handle assembly with 1/2" NPSM male thread inlet



012504-40

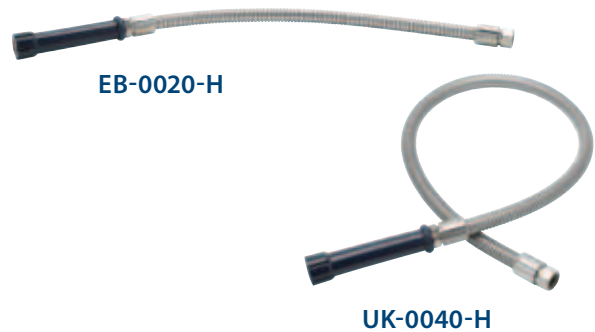
Blue grip handle assembly with 3/8" NPT female inlet



EB-0020-H and UK-0040-H

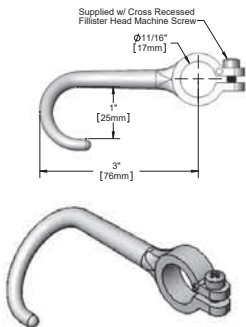
Blue grip handle assembly with 3/8" NPT female inlet

Hose Model	Length
EB-0020-H	508 mm (20")
UK-0040-H	1016 mm (40")



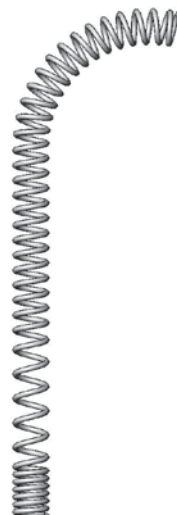
004R

Finger hook on riser holds spray valve on PRU riser, 11/16 O.D.



000888-45

Pre-rinse overhead spring



000369-40

Polished chrome plated riser for PRU, 457 mm (18") with 3/8" NPT male threads



FAUCETS

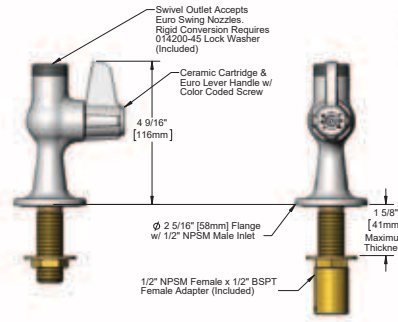


UK-1DF00

UK-1DF Series

All products on this page are single hole, single temperature deck-mount faucets

UK-1DF00

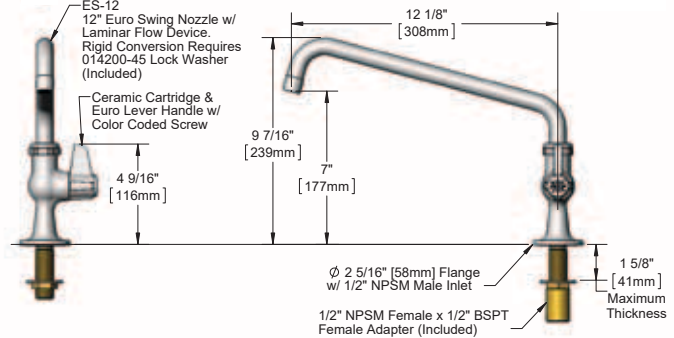


UK-1DF12



UK-1DF06

Example: UK-1DF12



Swing Nozzle / Swivel Gooseneck	Length
ES-05 Swivel gooseneck	140 mm (5")
ES-06 Swing nozzle	156 mm (6")
ES-08 Swing nozzle	206 mm (8")
ES-10 Swing nozzle	257 mm (10")
ES-12 Swing nozzle	308 mm (12")
ES-14 Swing nozzle	359 mm (14")
ES-16 Swing nozzle	410 mm (16")
ES-18 Swing nozzle	469 mm (18")
ES-18-DJ Double-joint swing nozzle	454 mm (18")

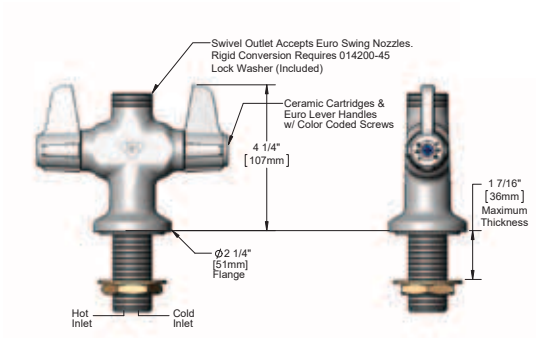
FAUCETS

UK-2DF Series

All products on this page are single hole, deck-mount mixing faucets



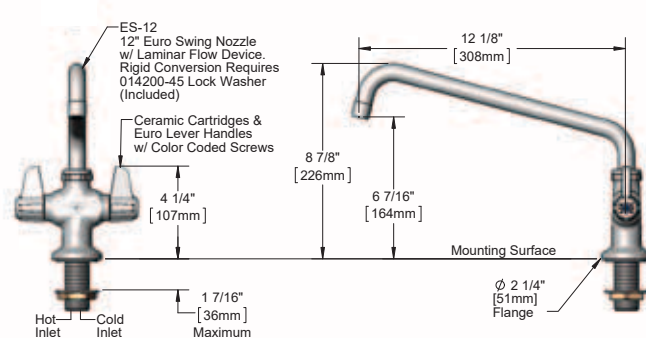
UK-2DF00



UK-2DF00



Example: UK-2DF12



UK-2DF12



UK-2DF06



Faucet Model	Swing Nozzle Length	Flow Rate
UK-2DF00	No nozzle	–
UK-2DF06	156 mm (6")	17,6 L/min (4.65 GPM)
UK-2DF08	206 mm (8")	17,6 L/min (4.65 GPM)
UK-2DF10	257 mm (10")	17,6 L/min (4.65 GPM)
UK-2DF12	308 mm (12")	17,6 L/min (4.65 GPM)

DECK-MOUNT FAUCETS



UK-6DF Series

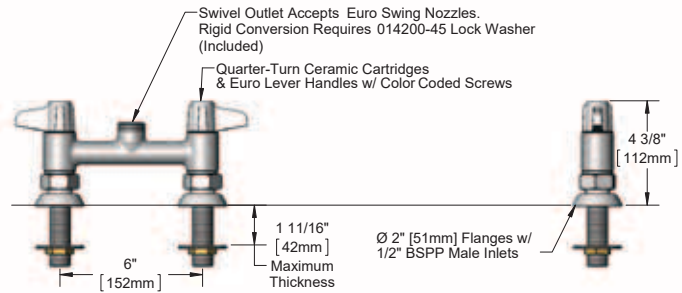
All products on this page are two-hole, deck-mount mixing faucets with 152 mm (6") bodies



UK-6DF00

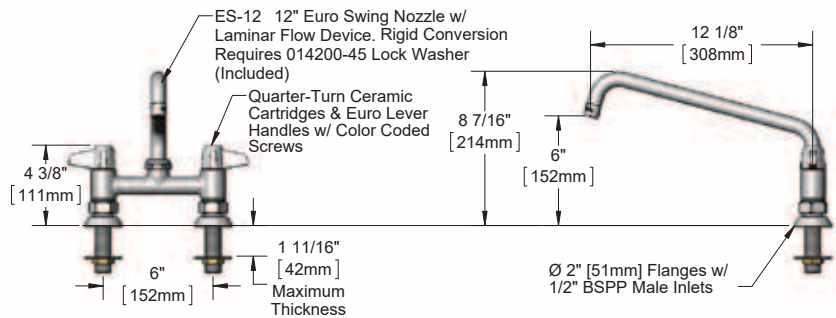


UK-6DF00



UK-6DF12

Example: UK-6DF12



Faucet Model	Swing Nozzle Length	Flow Rate
UK-6DF00	No nozzle	-
UK-6DF06	156 mm (6")	Full flow
UK-6DF08	206 mm (8")	Full flow
UK-6DF10	257 mm (10")	Full flow
UK-6DF12	308 mm (12")	Full flow

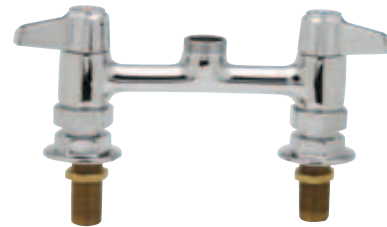
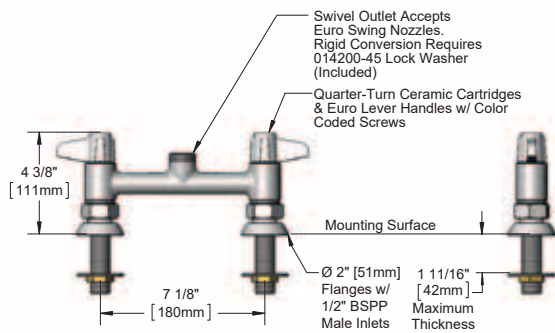
DECK-MOUNT FAUCETS

UK-7DF Series

All products on this page are two-hole, deck-mount mixing faucets with 178 mm (7") deck-mount bodies



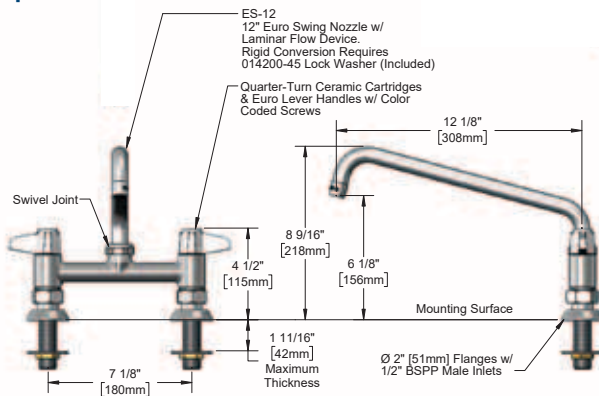
UK-7DF00



UK-7DF00



Example: UK-7DF12



UK-7DF12



UK-7DF06



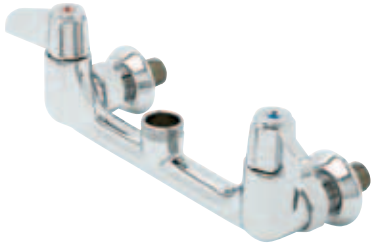
Faucet Model	Swing Nozzle Length	Flow Rate
UK-7DF00	No nozzle	–
UK-7DF06	156 mm (6")	Full flow
UK-7DF08	206 mm (8")	Full flow
UK-7DF10	257 mm (10")	Full flow
UK-7DF12	308 mm (12")	Full flow

WALL-MOUNT FAUCETS

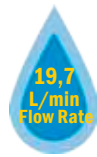


UK-8WF Series

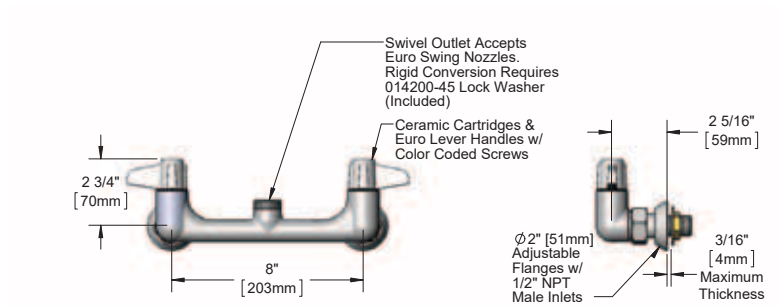
All products on this page are two-hole, wall-mount mixing faucets with 203 mm (6") bodies



UK-8WF00-EE



Example: UK-8WF00-EE



UK-8WF12-EE

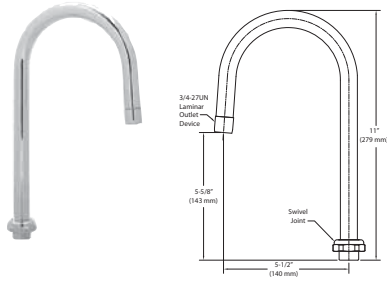


Faucet Model	Swing Nozzle Length	Flow Rate
UK-8WF00-EE	No nozzle	–
UK-8WF06-EE	156 mm (6")	19,7 L/min (5.2 GPM)
UK-8WF08-EE	206 mm (8")	19,7 L/min (5.2 GPM)
UK-8WF10-EE	257 mm (10")	19,7 L/min (5.2 GPM)
UK-8WF12-EE	308 mm (12")	19,7 L/min (5.2 GPM)

GOOSENECKS and SWING NOZZLES

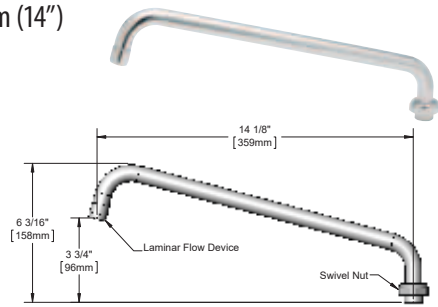
ES-05

140 mm (5")



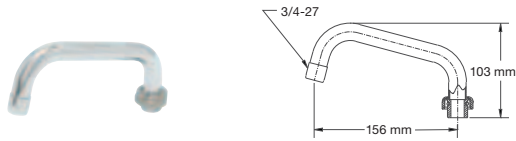
ES-14

359 mm (14")



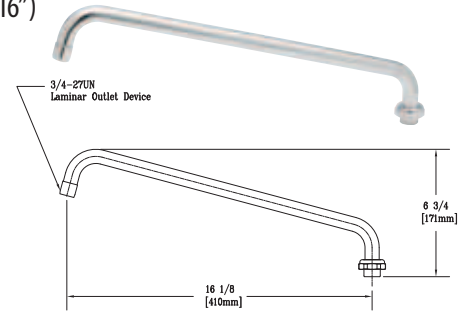
ES-06

156 mm (6")



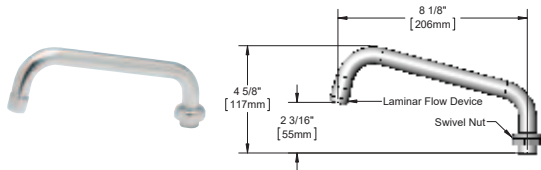
ES-16

410 mm (16")



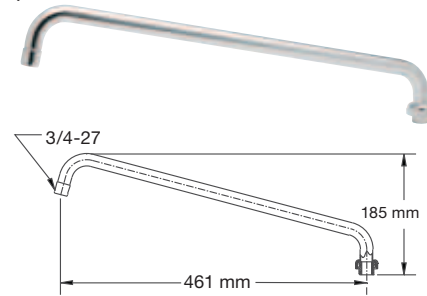
ES-08

206 mm (8")



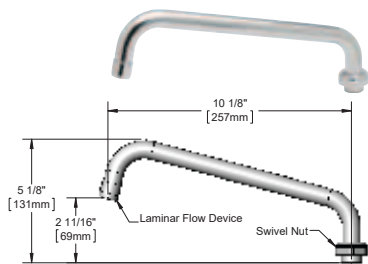
ES-18

461 mm (18")



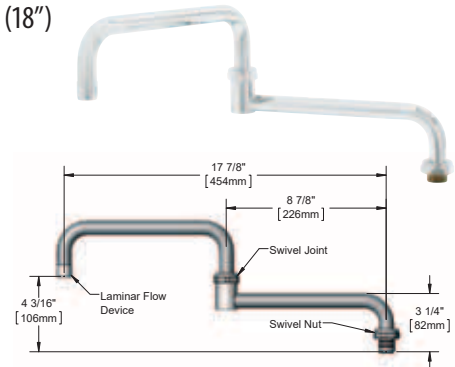
ES-10

257 mm (10")



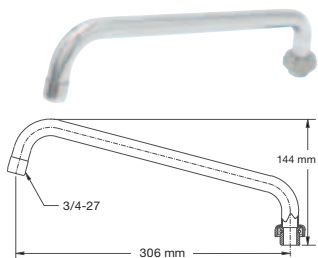
ES-18DJ

454 mm (18")



ES-12

308 mm (12")



Swing Nozzle / Swivel Gooseneck	Length
ES-05 Swivel gooseneck	140 mm (5")
ES-06 Swing nozzle	156 mm (6")
ES-08 Swing nozzle	206 mm (8")
ES-10 Swing nozzle	257 mm (10")
ES-12 Swing nozzle	306 mm (12")
ES-14 Swing nozzle	359 mm (14")
ES-16 Swing nozzle	410 mm (16")
ES-18 Swing nozzle	461 mm (18")
ES-18-DJ Double-joint swing nozzle	454 mm (18")

AERATORS / HANDLES / CARTRIDGES

Faucet Aerators

For faucets



Aerator	Non-Aerated Device	Non-Aerated Device	VR Aerator
B-0199-01	B-0199-01-F10	B-0199-01-N05	B-0199-01-WS
8,3 L/min (2.2 GPM)	3,8 L/min (1.0 GPM)	1,9 L/min (0.5 GPM)	5,7 L/min (1.5 GPM)

EU-WH4

102 mm (4") Wrist blade handle, two colored screws



UK- Ceramic Cartridges

Standard ceramic cartridge assembly for UK- PRUs and faucets

- Hot side: 013787-45 (shown)
- Cold side: 013788-45



E-HDL-L

Lever handle, two colored screws



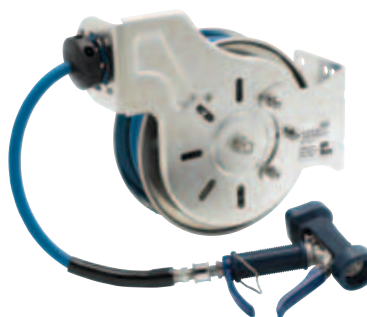
OPEN HOSE REELS / STAINLESS STEEL

T&S Open Hose Reel models shown on these two pages:

- EB-0107 blue spray valve with heat-resistant handle (-01 models)
- MV-2522-24 front trigger water gun with heat-resistant handle (-05 models)
- Adjustable hose bumper
- Includes hose swivel, allows for 360° rotation of spray device
- Multi-fit bracket for wall, ceiling or under counter mounting
- Ratcheting system holds the length of hose until a slight tug; retracts automatically



B-7112-01



B-7112-05

B-7112 Series Hose Reels

Open stainless steel hose reel, 7.5 m (15') hose length

B-7112 Models	Hose Diameter	Hose Length	Outlet
B-7112-01	3/8" I.D.	7.5 m (15')	EB-0107 high flow blue spray valve
B-7112-05	3/8" I.D.	7.5 m (15')	MV-2522-24 front trigger water gun



B-7133-01



B-7133-05

B-7133 Hose Reels

Open stainless steel hose reel, 10 m (35') hose length, no outlet (order separately, see chart below)

B-7133 Models	Hose Diameter	Hose Length	Spray Outlet	Wall Bracket
B-7133-01	1/2" I.D.	10 m (35')	EB-0107 high flow blue spray valve	Included
B-7133-05	1/2" I.D.	10 m (35')	MV-2522-24 front trigger water gun	Included

OPEN HOSE REELS / STAINLESS STEEL



B-7143-01



B-7143-05

B-7143 Hose Reels

Open stainless steel hose reel, 15 m (50') hose length, no outlet (order separately, see chart below)

B-7143 Models	Hose Diameter	Hose Length	Spray Outlet	Wall Bracket
B-7143-01	1/2" I.D.	15 m (50')	EB-0107 high flow blue spray valve	Included
B-7143-05	1/2" I.D.	15 m (50')	MV-2522-24 front trigger water gun	Included

ENCLOSED HOSE REELS / STAINLESS STEEL

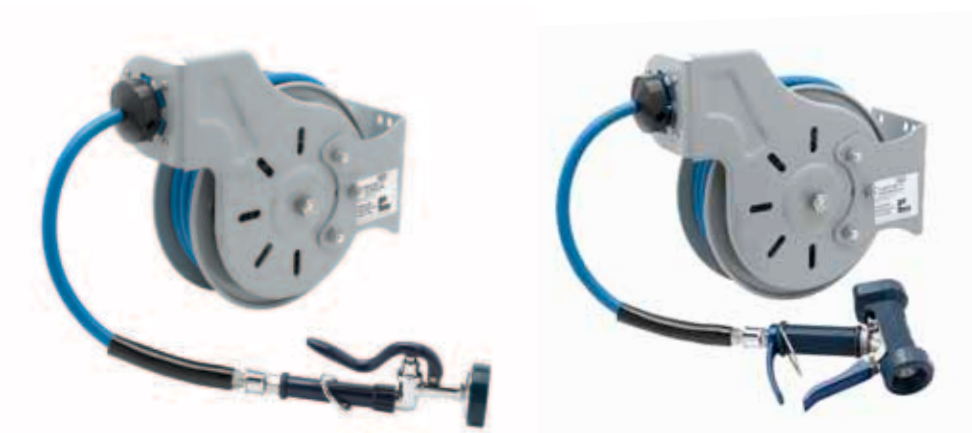


5R.M20.T449 Hose Reel

Klarco enclosed stainless steel hose reel, 3/8" ID x 20 m (65'), food grade heavy-duty hose, adjustable spray gun

Hose Reel Model	Hose Diameter	Hose Length	Spray Outlet	Flow Rate
5R.M20.T449	3/8" I.D.	20 m (65')	Adjustable flow spray gun	8,3 L/min (2.2 GPM)

OPEN HOSE REELS / EPOXY COATED STEEL



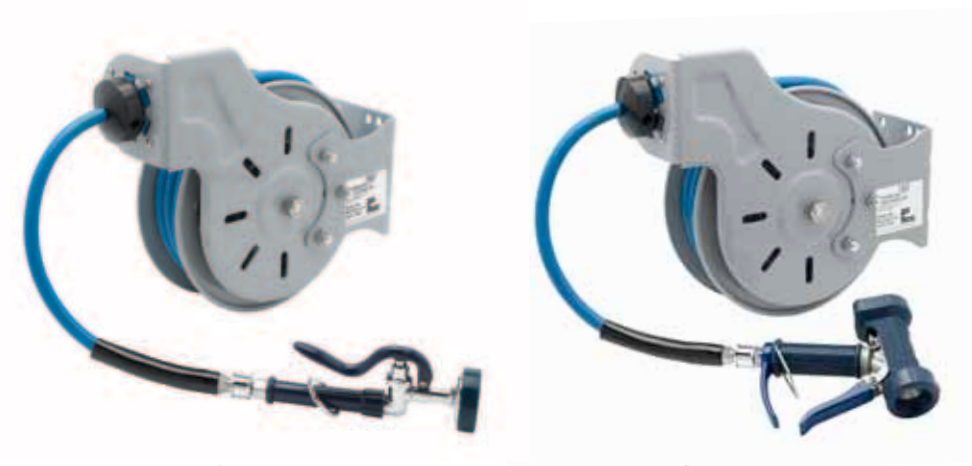
B-7212-01

B-7212-05

B-7212 Series Hose Reels

Open epoxy coated steel hose reel, 4.6 m (15') hose length

B-7212 Models	Hose Diameter	Hose Length	Spray Outlet	Wall Bracket
B-7212-01	3/8" I.D.	4.6 m (15')	EB-0107 high flow blue spray valve	Included
B-7212-05	3/8" I.D.	4.6 m (15')	MV-2522-24 front trigger water gun	Included



B-7232-01

B-7232-05

B-7232 Series Hose Reels

Open epoxy coated steel hose reel, 10 m (35') hose length

B-7232 Models	Hose Diameter	Hose Length	Spray Outlet	Wall Bracket
B-7232-01	3/8" I.D.	10 m (35')	EB-0107 high flow blue spray valve	Included
B-7232-05	3/8" I.D.	10 m (35')	MV-2522-24 front trigger water gun	Included

OPEN HOSE REELS / EPOXY COATED STEEL

All 5HR- Hose Reel models include:

- Epoxy coated steel
- ³/₈" I.D. hose

- ³/₈" NPT female inlets on reel
- Rated 21,21 L/min (5.6 GPM) @ 60 PSI / 4 Bar
- Maximum temperature 60° C / 140° F



5HR-232-01



5HR-232-09



5HR-242-01



5HR-242-12

5HR- Series Hose Reels

Open epoxy coated steel hose reels, various hose length, no outlet (order outlet separately, see outlet models and chart p. 38-39)

5HR- Models	Hose Diameter	Hose Length	Spray Outlet	Wall Bracket
5HR-222	3/8" I.D.	4.6 m (15')	–	Included
5HR-222-12	3/8" I.D.	4.6 m (15')	EMV-0522-24 front trigger water gun	Included
5HR-232	3/8" I.D.	10 m (35')	–	Included
5HR-232-01	3/8" I.D.	10 m (35')	5SV-WH spray valve	Included
5HR-232-09	3/8" I.D.	10 m (35')	5WG-1000-01 water gun	Included
5HR-232-12	3/8" I.D.	10 m (35')	EMV-0522-24 front trigger water gun	Included
5HR-242	3/8" I.D.	15 m (50')	–	Included
5HR-242-01	3/8" I.D.	15 m (50')	5SV-WH spray valve	Included
5HR-242-12	3/8" I.D.	15 m (50')	EMV-0522-24 front trigger water gun	Included

HOSE REEL SPRAY VALVES / WATER GUNS

Spray Valve/ Water Gun	Description	Flow Rate 4 bar (60 PSI)	Hose Reels
EB-0107-J	Spray Valve	4,05 L/min (1.07 GPM)	✓
EB-0107-J-SWV	Spray Valve with Swivel	4,05 L/min (1.07 GPM)	✓
EB-2322	Spray Valve Extension Unit	15,9 L/min (4.2 GPM)	✓
5SV-H	Equip High flow Spray Valve	17,03 L/min (4.50 GPM)	5HR- models only
5SV-WH	Equip High flow Spray Valve w/ Handle	17,03 L/min (4.50 GPM)	5HR- models only
5WG-1000-01	Equip Front Trigger Water Gun	14,08 L/min (3.91 GPM)	5HR- models only
MV-2522-24	Front Trigger Water Gun	30,47 L/min (8.05 GPM)	✓
EMV-0522-24	Front Trigger Water Gun	About 30 L/min (8 GPM)	ESA- and Equip (5HR-) models



UK-0107

Hose reel self-closing spray valve with blue rubber bumper, 4,35 L/min (1.15 GPM)

EB-0107-J

Low flow spray valve with 4,05 L/min (1.07 GPM)

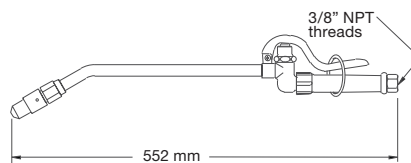
EB-0107-J-SWV

Spray valve with swivel, 4,05 L/min (1.07 GPM)



EB-2322

Spray valve with extension unit



5SV-H

High flow spray valve with 3/4-14 inlet for washdown applications



5SV-WH

High flow spray valve with 3/4-14 inlet and handle

MV-2522-24

Hose reel front trigger water gun, stainless steel with blue rubber cover, 5/16" flow orifice, 1/2" NPT female inlet



MV-3516-25

Hose reel rear trigger water gun, aluminum with rubber cover, 5/16" flow orifice, 1/2" NPT x 3/8" NPT female adapter



WATER GUNS / ACCESSORIES

EMV-0522-24

Hose reel brass front trigger water gun for ESA- and equip (5HR-) hose reel models



5WG-1000-01

Hose reel water gun with 3/4" garden hose female quick-disconnect inlet, and 1/2" NPSM female and 3/8" NPT female adapters



G019430-45 **EasyInstall**

Universal wall bracket for all 3/8" or 1/2" hose reels. 100° rotation EasyInstall stainless steel swing bracket. Designed for one-person installation



Hose Reel Swivel

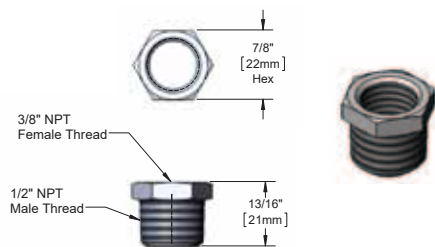
Standard feature on 3/8" and 1/2" hose reels, allows for 360° rotation for ease of use, can be used with any hose reel hose

- 3/8" hoses 019652-40
- 1/2" hoses 019653-40



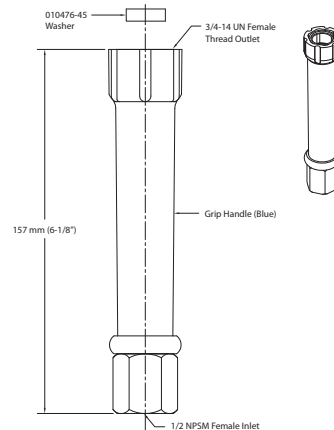
001359-40

Adapter, 1/2" NPT male x 3/8" NPT female, chrome plated



015082-40

Blue grip handle assembly with 1/2" NPSM female inlet



SENSOR FAUCETS WITH BELOW DECK CONTROLS



- All T&S ChekPoint Electronic Sensor Faucets include:
- Standard 8,3 L/min (2.2 GPM) vandal-resistant aerator
 - AC/DC control Module (electric plug-in and battery)
 - Adjustable automatic time-out feature
 - Hands-free washing conserves water and reduces risk of contamination
 - Adjustable temperature control mixing valve

3 YEAR WARRANTY



UK-3100



UK-3101



UK-3102



UK-3103

UK-3100

ChekPoint electronic faucet, deck-mount, gooseneck, AC/DC control module and UK transformer

UK-3101

ChekPoint electronic faucet, wall-mount, gooseneck, AC/DC control module and UK transformer

UK-3102

ChekPoint electronic faucet, deck-mount, gooseneck, AC/DC control module and UK transformer

UK-3103

ChekPoint electronic faucet, deck-mount, gooseneck, AC/DC control module and UK transformer

UK-3102-HG

ChekPoint electronic faucet, deck-mount, gooseneck, AC/DC control module, UK transformer and hydrogenerator; helps save water, energy and money



UK-3130

SENSOR FAUCETS WITH ABOVE DECK CONTROLS



ChekPoint Above Deck Electronic models (ADE) include:

- Above deck controls for easy installation and maintenance
- Single hole above deck sensor faucets
- Vandal-resistant 8,3 L/min (2.2 GPM) aerator

- Low flow models: 1,9 L/min (0.5 GPM) vandal-resistant spray device (-VF05)
- Hydrogenerator or low flow hydrogenerator models available

3 YEAR WARRANTY



UK-3130

ChekPoint above deck electronic faucet, single hole deck-mount with rigid/swivel gooseneck



UK-3132 Series

ChekPoint above deck electronic faucet, single hole deck-mount with cast spout

Faucet Model	Body	Flow Rate
UK-3132	Cast spout	8,3 L/min (2.2 GPM)
UK-3132-VF05	Cast spout	1,9 L/min (0.5 GPM)



UK-3142 Series

ChekPoint above deck electronic faucet, single hole deck-mount with contemporary spout

Faucet Model	Body	Flow Rate
UK-3142	Cast spout	8,3 L/min (2.2 GPM)
UK-3142-VF05	Cast spout	1,9 L/min (0.5 GPM)

HYDROGENERATORS FOR ELECTRONIC FAUCETS



EC-HYDROGEN

Hydrogenerator for ChekPoint faucet models (add -HG), including retrofit option, negates need for power source or battery replacement. Minimum flow-rate of 3,79 L/min



EC-HYDROGEN-LF

Low-flow Hydrogenerator for ChekPoint faucet models (add -LF), including retrofit option, negates need for power source or battery replacement. Requires flow-rate between 1,89 L/min and 3,79 L/min

GLASS FILLERS



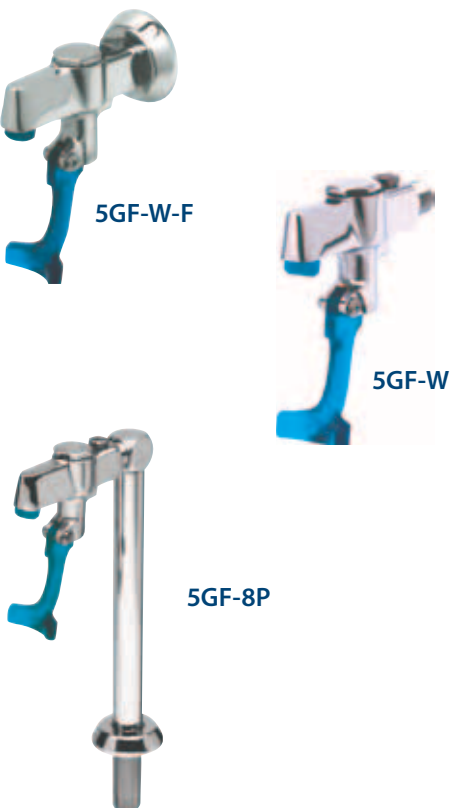
B-1200
 Wall-mount

B-1210
 Countertop mount pedestal, 203 mm (8") from base of flange to outlet

B-1210-01
 Countertop mount pedestal, 254 mm (10") from base of flange to outlet

B-1210-16
 Countertop mount pedestal, 406 mm (16") from base of flange to outlet and B-1210 pedestal glass filler

B-1230
 B-1210 water station with stainless steel drip pan with drop-in grid and drip pan drain with tail piece



5GF-W-F
 Wall-mount, 3/8" NPT female inlet

5GF-W
 Wall-mount, 3/8" NPT male inlet

5GF-8P
 Countertop mount pedestal, 305 mm (8") from base of flange to outlet

5GF-12P
 Countertop mount pedestal, 305 mm (12") from base of flange to outlet

5GF-16P
 Countertop mount pedestal, 406 mm (16") from base of flange to outlet

GLASS FILLERS

5GF-8P-WS

Water station with stainless steel drip pan with drop-in grid and drip pan drain with tail piece and 5GF-8P pedestal glass filler

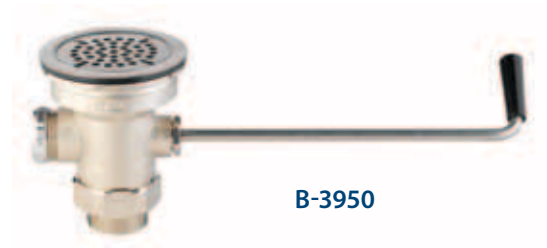


5GF-8P-WS

WASTE VALVES

B-3950 Series

Rotary waste valve for 3-1/2" sink opening with rough chrome plated body, 2" NPT male outlet, twist handle with heat-resistant plastic grip, 2" NPT female x 1-1/2" NPT male adapter, 3-1/2" snap-in removable strainer and overflow outlet and cap



B-3950

Overflow Assembly Option (B-3999-OF)

Add "-01" suffix on B-3950 and B-3990 models; includes the overflow assembly (tube and head), ie.: B-3950-01

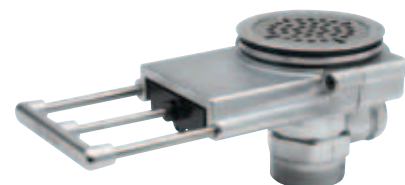
Waste Valve Model	Description
B-3950-01	Includes overflow assembly
B-3950-BSP	With 1/2" BSP male adapter
B-3990-01	Includes overflow assembly



B-3999-OF

B-3990 Series

Modular waste valve for easy installation and maintenance; 3-1/2" sink opening, twist handle, 2" NPT male and 1-1/2" NPT female overflow outlet and cap

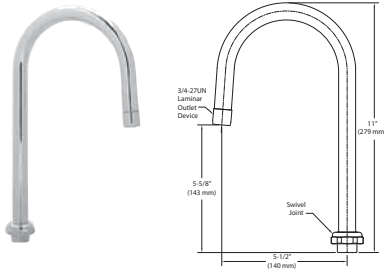


B-3990

GOOSENECKS and SWING NOZZLES

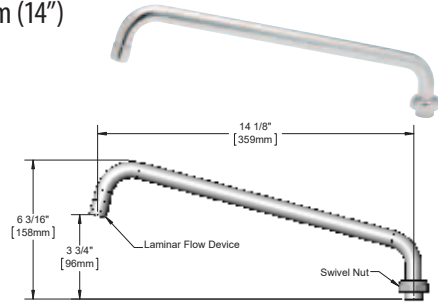
ES-05

140 mm (5")



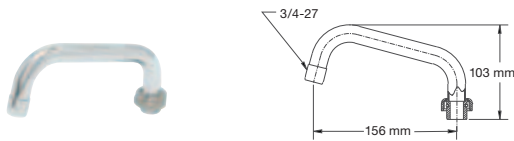
ES-14

359 mm (14")



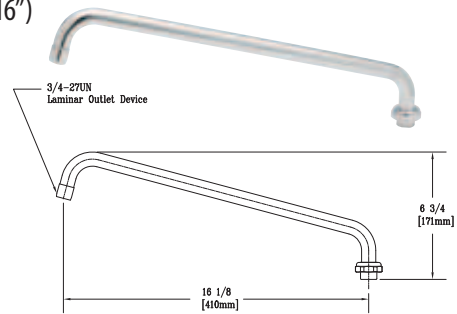
ES-06

156 mm (6")



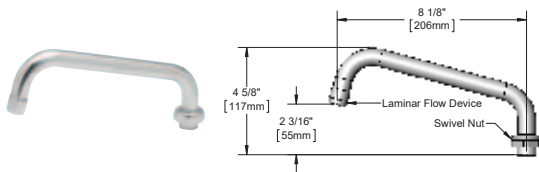
ES-16

410 mm (16")



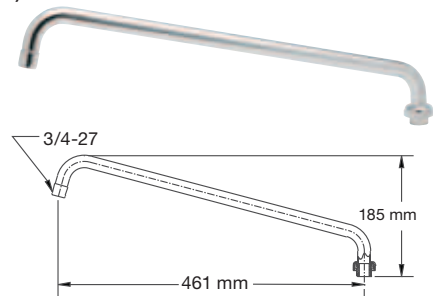
ES-08

206 mm (8")



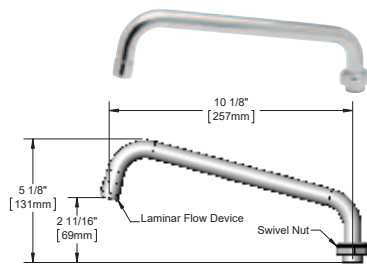
ES-18

469 mm (18")



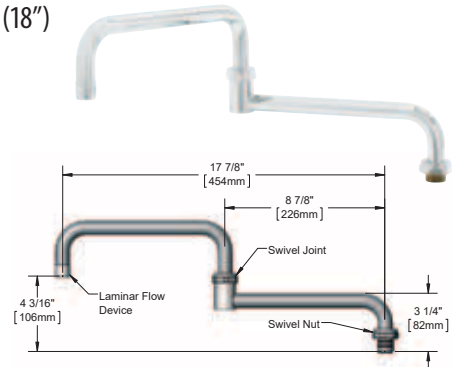
ES-10

257 mm (10")



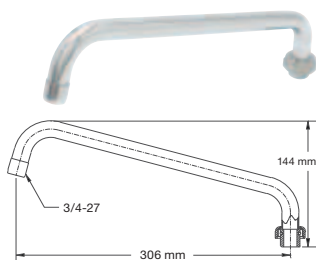
ES-18DJ

457 mm (18")



ES-12

308 mm (12")

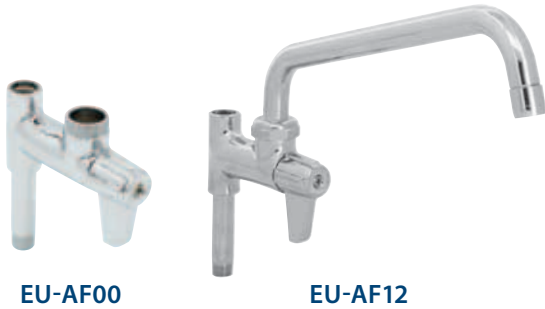


Swing Nozzle / Swivel Gooseneck	Length
ES-05 Swivel gooseneck	140 mm (5")
ES-06 Swing nozzle	156 mm (6")
ES-08 Swing nozzle	206 mm (8")
ES-10 Swing nozzle	257 mm (10")
ES-12 Swing nozzle	308 mm (12")
ES-14 Swing nozzle	359 mm (14")
ES-16 Swing nozzle	410 mm (16")
ES-18 Swing nozzle	469 mm (18")
ES-18-DJ Double-joint swing nozzle	454 mm (18")

PRE-RINSE and FAUCET ACCESSORIES

Add-On Faucets

For PRUs



EU-AF00

EU-AF12

Add-On Faucet	Nozzle Length
EU-AF00	–
EU-AF06	156 mm (6")
EU-AF08	206 mm (8")
EU-AF10	257 mm (10")
EU-AF12	308 mm (12")
EU-AF14	359 mm (14")
EU-AF16	410 mm (16")
EU-AF18	469 mm (18")

Wall Bracket

Standard PRU uses B-0109-03 – 305 mm (12")
 Compact PRU uses B-0109-01 – 152 mm (6")



B-0109-03

B-0109-01

EU-WH4

102 mm (4") Wrist blade handle, two colored screws



E-HDL-L

Lever handle, two colored screws



UK- Ceramic Cartridge



Standard ceramic cartridge assembly for UK- PRUs and faucets

- Hot side: 013787-45 (shown)
- Cold side: 013788-45



Pre-Rinse Swivel (018200-40)

Swivel assembly for UK- Pre-Rinse Units, provides unimpeded, smooth 360° rotation of pre-rinse spray valve

- PRU swivel: 018200-40



B-TEE-RGD

Accessory tee for PRUs; adds another water source

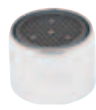


PRE-RINSE and FAUCETS / PARTS KITS



Faucet Aerators

For Pre-rinse units / Faucets / Add-on faucets



Aerator	Non-Aerated Device	Non-Aerated Device	VR Aerator
B-0199-01	B-0199-01-F10	B-0199-01-N05	B-0199-01-WS
8,3 L/min (2.2 GPM)	3,8 L/min (1.0 GPM)	1,9 L/min (0.5 GPM)	5,7 L/min (1.5 GPM)



UK-10K

Repair parts kit for UK-0107 spray valve. Includes two springs, two bonnet washers, two #27 hose washers, two seat washers, two packing seals, two bonnet binding washers, one spray ring, 1 spray face, one spray face screw, and two valve stems



EB-10K-C-NS

Repair parts kit for EB-0107-C spray valve. Includes spring, bonnet washer, #27 hose washer, bonnet binding washer, blue shield, quad seal, valve stem, and stem washer

EB-10K-J

Repair parts kit for EB-0107-J spray valve. Includes spring, bonnet washer, #27 hose washer, bonnet binding washer, blue shield, quad seal, valve stem, and stem washer

EB-10K

Repair parts kit for EB-0107 spray valve

EB-0020-H and UK-0040-H

Blue grip handle assembly with 3/8" NPT female inlet

Hose Model	Length
EB-0020-H	508 mm (20")
UK-0040-H	1016 mm (40")



EB-0020-H



UK-0040-H

PRE-RINSE / HOSE REEL / PARTS KITS

011482-40

Blue grip handle assembly with 7/8-20 UN male thread inlet



011759-40

Blue grip handle assembly with 1/2" NPSM male thread inlet



000369-40

Polished chrome plated riser for PRU, 457 mm (18") with 3/8" NPT male threads



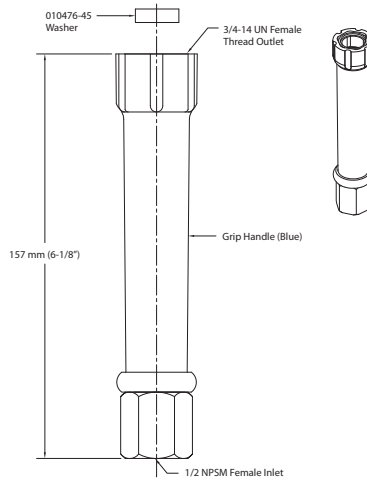
012504-40

Blue grip handle assembly with 3/8" NPT female inlet



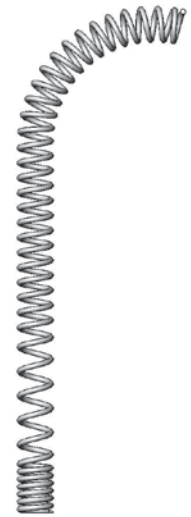
015082-40

Blue grip handle assembly with 1/2" NPSM female inlet



000888-45

Pre-rinse overhead spring



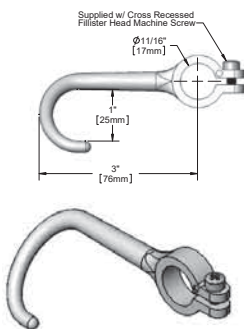
5HR-HDL

Black grip handle for 5HR hose reel models



004R

Finger hook on riser holds spray valve on PRU riser, 11/16 O.D.



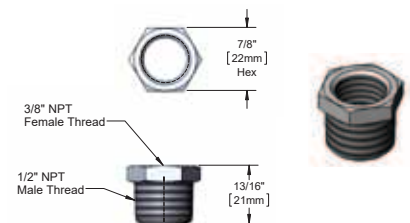
018369-45

Adapter, 3/4-27 UN female x 55/64-27 UN male, chrome plated with rubber washer



001359-40

Adapter, 1/2" NPT male x 3/8" NPT female, chrome plated





Part / Model No.	Page	Part / Model No.	Page	Part / Model No.	Page	Part / Model No.	Page
000358-40	11	5HR-222	37	B-TEE-RGD	24, 45	UK-3103	40
000361-40	11	5HR-222-12	37	E-HDL-L	11, 33, 45	UK-3130	41
000369-40	11, 25, 47	5HR-232	37	EB-0020-H	11, 25, 46	UK-3132	41
000372-40	11	5HR-232-01	37	EB-0107-C	11, 22	UK-3132-VF05	41
000374-40	11	5HR-232-09	37	EB-0107-J	22, 38	UK-3142	41
000821-40	11	5HR-232-12	37	EB-0107-J-SWV	38	UK-3142-VF05	41
000888-45	11, 25, 47	5HR-242	37	EB-10K	46	UK-1DF00	26
000907-45	11	5HR-242-01	37	EB-10K-C-NS	46	UK-1DF06	26
000913-45	11	5HR-242-12	37	EB-10K-J	46	UK-1DF08	26
001359-40	39, 43	5R.M20.T449	35	EB-2322	38	UK-1DF10	26
003198-45	11	5SV-H	38	EC-HYDROGEN	41	UK-1DF12	26
003199-45	11	5SV-WH	38	EC-HYDROGEN-LF	41	UK-1DP00	12
004R	11, 25, 43	5WG-1000-01	38, 39	EMV-0522-24	39	UK-1DP06	12
010476-45	11	B-0109-01	24, 45	ES-05	31, 44	UK-1DP06-J	12
010594-40	11	B-0109-03	11, 24, 45	ES-06	11, 31, 44	UK-1DP06-L	12
011454-45	11	B-0199-01	23, 32, 46	ES-08	11, 31, 44	UK-1DP08	12
011475-45	11	B-0199-01-F10	23, 32, 46	ES-10	11, 31, 44	UK-1DP08-J	12
011482-40	11, 25, 47	B-0199-01-N05	23, 32, 46	ES-12	11, 31, 44	UK-1DP08-L	12
011759-40	25, 47	B-0199-02-WS	23, 32, 46	ES-14	31, 44	UK-1DP10	12
012504-40	25, 47	B-1200	42	ES-16	31, 44	UK-1DP10-J	12
013787-45	11, 24, 32, 45	B-1210	42	ES-18	31, 44	UK-1DP10-L	12
013788-45	11, 24, 32, 45	B-1210-01	42	ES-18-DJ	31, 44	UK-1DP12	12
013838-45	11	B-1210-16	42	EU-AF00	11, 23, 44	UK-1DP12-J	12
013839-25	11	B-1230	42	EU-AF06	23, 44	UK-1DP12-L	12
013957-25	11	B-3950	43	EU-AF08	23, 44	UK-1DP00-A	17
014200-45	11	B-3950-BSP	43	EU-AF10	23, 44	UK-1DP06-A	17
014610-40	11	B-3950-01	43	EU-AF12	23, 44	UK-1DP06-JA	17
014674-40	11	B-3990	43	EU-AF14	23, 44	UK-1DP06-LA	17
015082-40	39, 47	B-3990-01	43	EU-AF16	23, 44	UK-1DP08-A	17
017288-45	11	B-3999-OF	43	EU-AF18	23, 44	UK-1DP08-JA	17
018200-40	24, 45	B-7112-01	34	EU-WH4	24, 32, 45	UK-1DP08-LA	17
018369-45	47	B-7112-05	34	G019430-45	39	UK-1DP10-A	17
019652-40	39	B-7212-01	36	MV-2522-24	38	UK-1DP10-JA	17
019653-40	39	B-7212-05	36	MV-3516-25	38	UK-1DP10-LA	17
5GF-W	42	B-7232-01	36	UK-0040-H	11, 25	UK-1DP12-JA	17
5GF-W-F	42	B-7232-05	36	UK-0107	11, 22, 38	UK-1DP12-LA	17
5GF-8P	42	B-7133-01	34	UK-10K	46	UK-2DF00	27
5GF-8P-WS	43	B-7133-05	34	UK-3100	40	UK-2DF06	27
5GF-12P	42	B-7143-01	35	UK-3102	40	UK-2DF08	27
5GF-16P	42	B-7143-05	35	UK-3102-HG	40	UK-2DF10	27

Part / Model No.	Page	Part / Model No.	Page	Part / Model No.	Page
UK-2DF12	27	UK-6DP10-J	14	UK-7DP08-A	20
UK-2DP00	13	UK-6DP10-L	14	UK-7DP08-JA	20
UK-2DP06	13	UK-6DP12	14	UK-7DP08-LA	20
UK-2DP06-J	13	UK-6DP12-J	14	UK-7DP10-A	20
UK-2DP06-L	13	UK-6DP12-L	14	UK-7DP10-JA	20
UK-2DP08	13	UK-6DP00-A	19	UK-7DP10-LA	20
UK-2DP08-J	13	UK-6DP06-A	19	UK-7DP12-A	20
UK-2DP08-L	13	UK-6DP06-JA	19	UK-7DP12-JA	20
UK-2DP10	13	UK-6DP06-LA	19	UK-7DP12-LA	20
UK-2DP10-J	13	UK-6DP08-A	19	UK-8WF00-EE	30
UK-2DP10-L	13	UK-6DP08-JA	19	UK-8WF06-EE	30
UK-2DP12	13	UK-6DP08-LA	19	UK-8WF08-EE	30
UK-2DP12-J	13	UK-6DP10-A	19	UK-8WF10-EE	30
UK-2DP12-L	13	UK-6DP10-JA	19	UK-8WF12-EE	30
UK-2DP00-A	18	UK-6DP10-LA	19	UK-8WP00-EE	16
UK-2DP06-A	18	UK-6DP12-A	19	UK-8WP06-EE	16
UK-2DP06-JA	18	UK-6DP12-JA	19	UK-8WP06-EE-J	16
UK-2DP06-LA	18	UK-6DP12-LA	19	UK-8WP08-EE	16
UK-2DP08-A	18	UK-7DF00	29	UK-8WP08-EE-J	16
UK-2DP08-JA	18	UK-7DF06	29	UK-8WP10-EE	16
UK-2DP08-LA	18	UK-7DF08	29	UK-8WP10-EE-J	16
UK-2DP10-A	18	UK-7DF10	29	UK-8WP12-EE	16
UK-2DP10-JA	18	UK-7DF12	29	UK-8WP12-EE-J	16
UK-2DP10-LA	18	UK-7DP00	15	UK-8WP00-A-EE	21
UK-2DP12-A	18	UK-7DP06	15	UK-8WP06-A-EE	21
UK-2DP12-JA	18	UK-7DP06-J	15	UK-8WP08-A-EE	21
UK-2DP12-LA	18	UK-7DP06-L	15	UK-8WP10-A-EE	21
UK-6DF00	28	UK-7DP08	15	UK-8WP12-A-EE	21
UK-6DF06	28	UK-7DP08-J	15	UK-8WP06-JA-EE	21
UK-6DF08	28	UK-7DP08-L	15	UK-8WP08-JA-EE	21
UK-6DF10	28	UK-7DP10	15	UK-8WP10-JA-EE	21
UK-6DF12	28	UK-7DP10-J	15	UK-8WP12-JA-EE	21
UK-6DP00	14	UK-7DP10-L	15		
UK-6DP06	14	UK-7DP12	15		
UK-6DP06-J	14	UK-7DP12-J	15		
UK-6DP06-L	14	UK-7DP12-L	15		
UK-6DP08	14	UK-7DP00-A	20		
UK-6DP08-J	14	UK-7DP06-A	20		
UK-6DP08-L	14	UK-7DP06-JA	20		
UK-6DP10	14	UK-7DP06-LA	20		

For up-to-date spec sheets of the international products, click the links below:

Product Number	Link
5EF-EU1DG-C	https://www.tsbrass.com/files/drawings/FAUCETS/5EF-EU1DG-C.pdf
5EF-EU1DG-HG	https://www.tsbrass.com/files/drawings/FAUCETS/5EF-EU1DG-HG.pdf
5EF-EU1DG-LMV	https://www.tsbrass.com/files/drawings/FAUCETS/5EF-EU1DG-LMV.pdf
5EF-EU1DG-LMVF5	https://www.tsbrass.com/files/drawings/FAUCETS/5EF-EU1DG-LMVF5.pdf
5EF-EU1DG-VF05	https://www.tsbrass.com/files/drawings/FAUCETS/5EF-EU1DG-VF05.pdf
5EF-EU1DS-C	https://www.tsbrass.com/files/drawings/FAUCETS/5EF-EU1DS-C.pdf
5EF-EU1DS-LMV	https://www.tsbrass.com/files/drawings/FAUCETS/5EF-EU1DS-LMV.pdf
5EF-EU1DS-LMVF5	https://www.tsbrass.com/files/drawings/FAUCETS/5EF-EU1DS-LMVF5.pdf
5EF-EU1DS-VF05	https://www.tsbrass.com/files/drawings/FAUCETS/5EF-EU1DS-VF05.pdf
5EF-EU1WG-C	https://www.tsbrass.com/files/drawings/FAUCETS/5EF-EU1WG-C.pdf
5EF-EU1WG-LMV	https://www.tsbrass.com/files/drawings/FAUCETS/5EF-EU1WG-LMV.pdf
5EF-EU1WG-LMVF5	https://www.tsbrass.com/files/drawings/FAUCETS/5EF-EU1WG-LMVF5.pdf
5EF-EU1WG-VF05	https://www.tsbrass.com/files/drawings/FAUCETS/5EF-EU1WG-VF05.pdf
5EF-EU4DS-C	https://www.tsbrass.com/files/drawings/FAUCETS/5EF-EU4DS-C.pdf
5EF-EU4DS-LMV	https://www.tsbrass.com/files/drawings/FAUCETS/5EF-EU4DS-LMV.pdf
5EF-EU4DS-LMVF5	https://www.tsbrass.com/files/drawings/FAUCETS/5EF-EU4DS-LMVF5.pdf
5EF-EU4DS-VF05	https://www.tsbrass.com/files/drawings/FAUCETS/5EF-EU4DS-VF05.pdf
EA-1DF08-300	https://www.tsbrass.com/files/drawings/EA/EA-1DF08-300.pdf
EA-1DF08-500	https://www.tsbrass.com/files/drawings/EA/EA-1DF08-500.pdf
EA-1DF09	https://www.tsbrass.com/files/drawings/EA/EA-1DF09.pdf
EA-1DF09-LH	https://www.tsbrass.com/files/drawings/EA/EA-1DF09-LH.pdf
EA-1DF09-LH-F15	https://www.tsbrass.com/files/drawings/EA/EA-1DF09-LH-F15.pdf
EA-2DF09	https://www.tsbrass.com/files/drawings/EA/EA-2DF09.pdf
EA-2DF12	https://www.tsbrass.com/files/drawings/EA/EA-2DF12.pdf
EA-2DF12-150	https://www.tsbrass.com/files/drawings/EA/EA-2DF12-150.pdf
EA-2DF12-300	https://www.tsbrass.com/files/drawings/EA/EA-2DF12-300.pdf
EA-2DF12-500	https://www.tsbrass.com/files/drawings/EA/EA-2DF12-500.pdf
EA-2DF12-600	https://www.tsbrass.com/files/drawings/EA/EA-2DF12-600.pdf
EA-2DF14	https://www.tsbrass.com/files/drawings/EA/EA-2DF14.pdf
EA-2DF14-300	https://www.tsbrass.com/files/drawings/EA/EA-2DF14-300.pdf
EA-2DF14-500	https://www.tsbrass.com/files/drawings/EA/EA-2DF14-500.pdf
EA-2DF14-600	https://www.tsbrass.com/files/drawings/EA/EA-2DF14-600.pdf
EA-2DHF09	https://www.tsbrass.com/files/drawings/EA/EA-2DHF09.pdf
EA-2DHF12	https://www.tsbrass.com/files/drawings/EA/EA-2DHF12.pdf
EA-2DHF12-300	https://www.tsbrass.com/files/drawings/EA/EA-2DHF12-300.pdf
EA-2DHF12-500	https://www.tsbrass.com/files/drawings/EA/EA-2DHF12-500.pdf
EA-2DHF12-600	https://www.tsbrass.com/files/drawings/EA/EA-2DHF12-600.pdf
EA-2DHF14	https://www.tsbrass.com/files/drawings/EA/EA-2DHF14.pdf
EA-2DHF14-300	https://www.tsbrass.com/files/drawings/EA/EA-2DHF14-300.pdf
EA-2DHF14-500	https://www.tsbrass.com/files/drawings/EA/EA-2DHF14-500.pdf
EA-2DHF14-600	https://www.tsbrass.com/files/drawings/EA/EA-2DHF14-600.pdf
EA-6DF08-LH-200	https://www.tsbrass.com/files/drawings/EA/EA-6DF08-LH-200.pdf
EA-6WF08	https://www.tsbrass.com/files/drawings/EA/EA-6WF08.pdf
EA-6WF08-LH	https://www.tsbrass.com/files/drawings/EA/EA-6WF08-LH.pdf
EA-6WF10	https://www.tsbrass.com/files/drawings/EA/EA-6WF10.pdf
EA-6WF12	https://www.tsbrass.com/files/drawings/EA/EA-6WF12.pdf
EA-6WF14-LH	https://www.tsbrass.com/files/drawings/EA/EA-6WF14-LH.pdf
EB-0020-H	https://www.tsbrass.com/files/drawings/EB/EB-0020-H.pdf
EB-0024-H	https://www.tsbrass.com/files/drawings/EB/EB-0024-H.pdf
EB-0032-H	https://www.tsbrass.com/files/drawings/EB/EB-0032-H.pdf

Product Number	Link
EB-0044-H	https://www.tsbrass.com/files/drawings/EB/EB-0044-H.pdf
EB-0044-R	https://www.tsbrass.com/files/drawings/EB/EB-0044-R.pdf
EB-0052-R	https://www.tsbrass.com/files/drawings/EB/EB-0052-R.pdf
EB-0060-H	https://www.tsbrass.com/files/drawings/EB/EB-0060-H.pdf
EB-0068-H	https://www.tsbrass.com/files/drawings/EB/EB-0068-H.pdf
EB-0072-H	https://www.tsbrass.com/files/drawings/EB/EB-0072-H.pdf
EB-0078-H	https://www.tsbrass.com/files/drawings/EB/EB-0078-H.pdf
EB-0084-H	https://www.tsbrass.com/files/drawings/EB/EB-0084-H.pdf
EB-0096-H	https://www.tsbrass.com/files/drawings/EB/EB-0096-H.pdf
EB-0100-72H	https://www.tsbrass.com/files/drawings/EB/EB-0100-72H.pdf
EB-0104-H	https://www.tsbrass.com/files/drawings/EB/EB-0104-H.pdf
EB-0107	https://www.tsbrass.com/files/drawings/EB/EB-0107.pdf
EB-0107-035	https://www.tsbrass.com/files/drawings/EB/EB-0107-035.pdf
EB-0107-C	https://www.tsbrass.com/files/drawings/EB/EB-0107-C.pdf
EB-0107-C35	https://www.tsbrass.com/files/drawings/EB/EB-0107-C35.pdf
EB-0107-J	https://www.tsbrass.com/files/drawings/EB/EB-0107-J.pdf
EB-0107-J-HF12	https://www.tsbrass.com/files/drawings/EB/EB-0107-J-HF12.pdf
EB-0107-J-HM12	https://www.tsbrass.com/files/drawings/EB/EB-0107-J-HM12.pdf
EB-0107-J-PS	https://www.tsbrass.com/files/drawings/EB/EB-0107-J-PS.pdf
EB-0107-J-QD-PS	https://www.tsbrass.com/files/drawings/EB/EB-0107-J-QD-PS.pdf
EB-0107-JSW-40H	https://www.tsbrass.com/files/drawings/EB/EB-0107-JSW-40H.pdf
EB-0107-JSW-PS	https://www.tsbrass.com/files/drawings/EB/EB-0107-JSW-PS.pdf
EB-0107-J-SWV	https://www.tsbrass.com/files/drawings/EB/EB-0107-J-SWV.pdf
EB-0108-H	https://www.tsbrass.com/files/drawings/EB/EB-0108-H.pdf
EB-0113-B	https://www.tsbrass.com/files/drawings/EB/EB-0113-B.pdf
EB-0113-BJ	https://www.tsbrass.com/files/drawings/EB/EB-0113-BJ.pdf
EB-0120-CMH	https://www.tsbrass.com/files/drawings/EB/EB-0120-CMH.pdf
EB-0123-B	https://www.tsbrass.com/files/drawings/EB/EB-0123-B.pdf
EB-0133-B	https://www.tsbrass.com/files/drawings/EB/EB-0133-B.pdf
EB-0133-BJ	https://www.tsbrass.com/files/drawings/EB/EB-0133-BJ.pdf
EB-0133-CCB	https://www.tsbrass.com/files/drawings/EB/EB-0133-CCB.pdf
EB-0144-H	https://www.tsbrass.com/files/drawings/EB/EB-0144-H.pdf
EB-0176-02-CR	https://www.tsbrass.com/files/drawings/EB/EB-0176-02-CR.pdf
EB-0211	https://www.tsbrass.com/files/drawings/EB/EB-0211.pdf
EB-0231	https://www.tsbrass.com/files/drawings/EB/EB-0231.pdf
EB-0236	https://www.tsbrass.com/files/drawings/EB/EB-0236.pdf
EB-0236-LN	https://www.tsbrass.com/files/drawings/EB/EB-0236-LN.pdf
EB-0950-72H	https://www.tsbrass.com/files/drawings/EB/EB-0950-72H.pdf
EB-10K	https://www.tsbrass.com/files/drawings/EB/EB-10K.pdf
EB-10K-C	https://www.tsbrass.com/files/drawings/EB/EB-10K-C.pdf
EB-10K-J	https://www.tsbrass.com/files/drawings/EB/EB-10K-J.pdf
EB-1420	https://www.tsbrass.com/files/drawings/EB/EB-1420.pdf
EB-1421	https://www.tsbrass.com/files/drawings/EB/EB-1421.pdf
EB-1428	https://www.tsbrass.com/files/drawings/EB/EB-1428.pdf
EB-2250	https://www.tsbrass.com/files/drawings/EB/EB-2250.pdf
EB-2250-B	https://www.tsbrass.com/files/drawings/EB/EB-2250-B.pdf
EB-2250-B08-18R	https://www.tsbrass.com/files/drawings/EB/EB-2250-B08-18R.pdf
EB-2261	https://www.tsbrass.com/files/drawings/EB/EB-2261.pdf
EB-2261-04	https://www.tsbrass.com/files/drawings/EB/EB-2261-04.pdf
EB-2261-04-108	https://www.tsbrass.com/files/drawings/EB/EB-2261-04-108.pdf
EB-2261-04-J	https://www.tsbrass.com/files/drawings/EB/EB-2261-04-J.pdf
EB-2322	https://www.tsbrass.com/files/drawings/EB/EB-2322.pdf



Product Number	Link
EB-2322-QD	https://www.tsbrass.com/files/drawings/EB/EB-2322-QD.pdf
E-HDL-L	https://www.tsbrass.com/files/drawings/EU_ES/E-HDL-L.pdf
EMPK-7DLN-06	https://www.tsbrass.com/files/drawings/EMP/EMPK-7DLN-06.pdf
EMPU-2DLN-06	https://www.tsbrass.com/files/drawings/EMP/EMPU-2DLN-06.pdf
EMPU-7DLN-06	https://www.tsbrass.com/files/drawings/EMP/EMPU-7DLN-06.pdf
EMPV-2DLN-00	https://www.tsbrass.com/files/drawings/EMP/EMPV-2DLN-00.pdf
EMPV-2DLN-06	https://www.tsbrass.com/files/drawings/EMP/EMPV-2DLN-06.pdf
EMPV-6DLN-06	https://www.tsbrass.com/files/drawings/EMP/EMPV-6DLN-06.pdf
EMV-0522-24	https://www.tsbrass.com/files/drawings/EMV/EMV-0522-24.pdf
ES-03	https://www.tsbrass.com/files/drawings/EU_ES/ES-03.pdf
ES-05	https://www.tsbrass.com/files/drawings/EU_ES/ES-05.pdf
ES-06	https://www.tsbrass.com/files/drawings/EU_ES/ES-06.pdf
ES-08	https://www.tsbrass.com/files/drawings/EU_ES/ES-08.pdf
ES-10	https://www.tsbrass.com/files/drawings/EU_ES/ES-10.pdf
ES-12	https://www.tsbrass.com/files/drawings/EU_ES/ES-12.pdf
ES-14	https://www.tsbrass.com/files/drawings/EU_ES/ES-14.pdf
ES-16	https://www.tsbrass.com/files/drawings/EU_ES/ES-16.pdf
ES-18	https://www.tsbrass.com/files/drawings/EU_ES/ES-18.pdf
ES-18-DJ	https://www.tsbrass.com/files/drawings/EU_ES/ES-18-DJ.pdf
ESA-4L33-HOSE	https://www.tsbrass.com/files/drawings/ESA_Hose_Reels/ESA-4L33-HOSE.pdf
ESA-4L50-HOSE	https://www.tsbrass.com/files/drawings/ESA_Hose_Reels/ESA-4L50-HOSE.pdf
ESA-4L65-HOSE	https://www.tsbrass.com/files/drawings/ESA_Hose_Reels/ESA-4L65-HOSE.pdf
ESA-4L82-HOSE	https://www.tsbrass.com/files/drawings/ESA_Hose_Reels/ESA-4L82-HOSE.pdf
ESA-QD	https://www.tsbrass.com/files/drawings/ESA_Hose_Reels/ESA-QD.pdf
EU-0108-BSP	https://www.tsbrass.com/files/drawings/EU_ES/EU-0108-BSP.pdf
EU-0108-C-BSP	https://www.tsbrass.com/files/drawings/EU_ES/EU-0108-C-BSP.pdf
EU-0108-H-BSP	https://www.tsbrass.com/files/drawings/EU_ES/EU-0108-H-BSP.pdf
EU-0199-G12-F05	https://www.tsbrass.com/files/drawings/EU_ES/EU-0199-G12-F05.pdf
EU-0199-M18-F05	https://www.tsbrass.com/files/drawings/EU_ES/EU-0199-M18-F05.pdf
EU-0199-M22-FFA	https://www.tsbrass.com/files/drawings/EU_ES/EU-0199-M22-FFA.pdf
EU-0199-M22-FFL	https://www.tsbrass.com/files/drawings/EU_ES/EU-0199-M22-FFL.pdf
EU-0199-M22-V05	https://www.tsbrass.com/files/drawings/EU_ES/EU-0199-M22-V05.pdf
EU-0199-M22-V22	https://www.tsbrass.com/files/drawings/EU_ES/EU-0199-M22-V22.pdf
EU-0199-M24-F10	https://www.tsbrass.com/files/drawings/EU_ES/EU-0199-M24-F10.pdf
EU-0199-M24-F15	https://www.tsbrass.com/files/drawings/EU_ES/EU-0199-M24-F15.pdf
EU-0199-M24-FFA	https://www.tsbrass.com/files/drawings/EU_ES/EU-0199-M24-FFA.pdf
EU-0199-M24-V05	https://www.tsbrass.com/files/drawings/EU_ES/EU-0199-M24-V05.pdf
EU-0199-M24-V22	https://www.tsbrass.com/files/drawings/EU_ES/EU-0199-M24-V22.pdf
EU-1DF00	https://www.tsbrass.com/files/drawings/EU_ES/EU-1DF00.pdf
EU-1DF12	https://www.tsbrass.com/files/drawings/EU_ES/EU-1DF12.pdf
EU-1DP00	https://www.tsbrass.com/files/drawings/EU_ES/EU-1DP00.pdf
EU-1DP00-108H	https://www.tsbrass.com/files/drawings/EU_ES/EU-1DP00-108H.pdf
EU-1DP12	https://www.tsbrass.com/files/drawings/EU_ES/EU-1DP12.pdf
EU-2DF00	https://www.tsbrass.com/files/drawings/EU_ES/EU-2DF00.pdf
EU-2DF12	https://www.tsbrass.com/files/drawings/EU_ES/EU-2DF12.pdf
EU-2DF18	https://www.tsbrass.com/files/drawings/EU_ES/EU-2DF18.pdf
EU-2DP00	https://www.tsbrass.com/files/drawings/EU_ES/EU-2DP00.pdf
EU-2DP00-108H	https://www.tsbrass.com/files/drawings/EU_ES/EU-2DP00-108H.pdf
EU-2DP00-L	https://www.tsbrass.com/files/drawings/EU_ES/EU-2DP00-L.pdf

Product Number	Link
EU-2DP00-LA	https://www.tsbrass.com/files/drawings/EU_ES/EU-2DP00-LA.pdf
EU-2DP12	https://www.tsbrass.com/files/drawings/EU_ES/EU-2DP12.pdf
EU-2DP12-108	https://www.tsbrass.com/files/drawings/EU_ES/EU-2DP12-108.pdf
EU-2DP12-108H	https://www.tsbrass.com/files/drawings/EU_ES/EU-2DP12-108H.pdf
EU-2DP12-J	https://www.tsbrass.com/files/drawings/EU_ES/EU-2DP12-J.pdf
EU-2DP12-L	https://www.tsbrass.com/files/drawings/EU_ES/EU-2DP12-L.pdf
EU-2DP12-LA	https://www.tsbrass.com/files/drawings/EU_ES/EU-2DP12-LA.pdf
EU-3122	https://www.tsbrass.com/files/drawings/EU_ES/EU-3122.pdf
EU-6DF00	https://www.tsbrass.com/files/drawings/EU_ES/EU-6DF00.pdf
EU-6DF12	https://www.tsbrass.com/files/drawings/EU_ES/EU-6DF12.pdf
EU-6DP00	https://www.tsbrass.com/files/drawings/EU_ES/EU-6DP00.pdf
EU-6DP00-108H	https://www.tsbrass.com/files/drawings/EU_ES/EU-6DP00-108H.pdf
EU-6DP00-A	https://www.tsbrass.com/files/drawings/EU_ES/EU-6DP00-A.pdf
EU-6DP00-L	https://www.tsbrass.com/files/drawings/EU_ES/EU-6DP00-L.pdf
EU-6DP10	https://www.tsbrass.com/files/drawings/EU_ES/EU-6DP10.pdf
EU-6DP12	https://www.tsbrass.com/files/drawings/EU_ES/EU-6DP12.pdf
EU-6DP12-108	https://www.tsbrass.com/files/drawings/EU_ES/EU-6DP12-108.pdf
EU-6DP12-L	https://www.tsbrass.com/files/drawings/EU_ES/EU-6DP12-L.pdf
EU-7133	https://www.tsbrass.com/files/drawings/EU_ES/EU-7133.pdf
EU-7133-FG	https://www.tsbrass.com/files/drawings/EU_ES/EU-7133-FG.pdf
EU-7143	https://www.tsbrass.com/files/drawings/EU_ES/EU-7143.pdf
EU-AF00	https://www.tsbrass.com/files/drawings/EU_ES/EU-AF00.pdf
EU-AF06	https://www.tsbrass.com/files/drawings/EU_ES/EU-AF06.pdf
EU-AF10	https://www.tsbrass.com/files/drawings/EU_ES/EU-AF10.pdf
EU-AF12	https://www.tsbrass.com/files/drawings/EU_ES/EU-AF12.pdf
EU-EZ-K	https://www.tsbrass.com/files/drawings/EU_ES/EU-EZ-K.pdf
EU-F05-B6	https://www.tsbrass.com/files/drawings/EU_ES/EU-F05-B6.pdf
EU-F10-B6	https://www.tsbrass.com/files/drawings/EU_ES/EU-F10-B6.pdf
EUK-2DP00	https://www.tsbrass.com/files/drawings/EU_ES/EUK-2DP00.pdf
EUK-2DP12	https://www.tsbrass.com/files/drawings/EU_ES/EUK-2DP12.pdf
EUK-6DP00	https://www.tsbrass.com/files/drawings/EU_ES/EUK-6DP00.pdf
EUK-6DP12	https://www.tsbrass.com/files/drawings/EU_ES/EUK-6DP12.pdf
EU-WH4	https://www.tsbrass.com/files/drawings/EU_ES/EU-WH4.pdf
EX-0199-23	https://www.tsbrass.com/files/drawings/EX/EX-0199-23.pdf
EX-1DMP06-H	https://www.tsbrass.com/files/drawings/EX/EX-1DMP06-H.pdf
EX-1DMP08-H	https://www.tsbrass.com/files/drawings/EX/EX-1DMP08-H.pdf
EX-1DP00-H	https://www.tsbrass.com/files/drawings/EX/EX-1DP00-H.pdf
EX-1DP12-H	https://www.tsbrass.com/files/drawings/EX/EX-1DP12-H.pdf
EX-1WSF-A	https://www.tsbrass.com/files/drawings/EX/EX-1WSF-A.pdf
EX-1WWF08	https://www.tsbrass.com/files/drawings/EX/EX-1WWF08.pdf
EX-1WWF10	https://www.tsbrass.com/files/drawings/EX/EX-1WWF10.pdf
EX-1WWF12	https://www.tsbrass.com/files/drawings/EX/EX-1WWF12.pdf
EX-1WWF14	https://www.tsbrass.com/files/drawings/EX/EX-1WWF14.pdf
EX-6WP00-H	https://www.tsbrass.com/files/drawings/EX/EX-6WP00-H.pdf
EX-6WP12-H	https://www.tsbrass.com/files/drawings/EX/EX-6WP12-H.pdf
EX-7930EW	https://www.tsbrass.com/files/drawings/EX/EX-7930EW.pdf
EX-ABLUTION	https://www.tsbrass.com/files/drawings/EX/EX-ABLUTION.pdf
EX-ADF00	https://www.tsbrass.com/files/drawings/EX/EX-ADF00.pdf

Product Number	Link
EX-ADF12	https://www.tsbrass.com/files/drawings/EX/EX-ADF12.pdf
EX-RINSER-1	https://www.tsbrass.com/files/drawings/EX/EX-RINSER-1.pdf
EX-RINSER-2	https://www.tsbrass.com/files/drawings/EX/EX-RINSER-2.pdf
EX-RINSER-3	https://www.tsbrass.com/files/drawings/EX/EX-RINSER-3.pdf
EX-RINSER-SV06	https://www.tsbrass.com/files/drawings/EX/EX-RINSER-SV06.pdf
EX-RINSER-SV06B	https://www.tsbrass.com/files/drawings/EX/EX-RINSER-SV06B.pdf
EX-RINSER-SV13	https://www.tsbrass.com/files/drawings/EX/EX-RINSER-SV13.pdf
SA-2DP00-J	https://www.tsbrass.com/files/drawings/SA/SA-2DP00-J.pdf
SA-2DP12-J	https://www.tsbrass.com/files/drawings/SA/SA-2DP12-J.pdf
UK-0040-H	https://www.tsbrass.com/files/drawings/UK/UK-0040-H.pdf
UK-0107	https://www.tsbrass.com/files/drawings/UK/UK-0107.pdf
UK-0107-H	https://www.tsbrass.com/files/drawings/UK/UK-0107-H.pdf
UK-10K	https://www.tsbrass.com/files/drawings/UK/UK-10K.pdf
UK-1DF00	https://www.tsbrass.com/files/drawings/UK/UK-1DF00.pdf
UK-1DF06	https://www.tsbrass.com/files/drawings/UK/UK-1DF06.pdf
UK-1DF12	https://www.tsbrass.com/files/drawings/UK/UK-1DF12.pdf
UK-1DP00	https://www.tsbrass.com/files/drawings/UK/UK-1DP00.pdf
UK-1DP00-A	https://www.tsbrass.com/files/drawings/UK/UK-1DP00-A.pdf
UK-1DP00-L	https://www.tsbrass.com/files/drawings/UK/UK-1DP00-L.pdf
UK-1DP12	https://www.tsbrass.com/files/drawings/UK/UK-1DP12.pdf
UK-2322	https://www.tsbrass.com/files/drawings/UK/UK-2322.pdf
UK-2DF00	https://www.tsbrass.com/files/drawings/UK/UK-2DF00.pdf
UK-2DF06	https://www.tsbrass.com/files/drawings/UK/UK-2DF06.pdf
UK-2DF12	https://www.tsbrass.com/files/drawings/UK/UK-2DF12.pdf
UK-2DP00	https://www.tsbrass.com/files/drawings/UK/UK-2DP00.pdf
UK-2DP00-A	https://www.tsbrass.com/files/drawings/UK/UK-2DP00-A.pdf
UK-2DP00-L	https://www.tsbrass.com/files/drawings/UK/UK-2DP00-L.pdf
UK-2DP06	https://www.tsbrass.com/files/drawings/UK/UK-2DP06.pdf
UK-2DP12	https://www.tsbrass.com/files/drawings/UK/UK-2DP12.pdf
UK-2DP12-A	https://www.tsbrass.com/files/drawings/UK/UK-2DP12-A.pdf
UK-2DP12-L	https://www.tsbrass.com/files/drawings/UK/UK-2DP12-L.pdf
UK-3100	https://www.tsbrass.com/files/drawings/UK/UK-3100.pdf
UK-3102	https://www.tsbrass.com/files/drawings/UK/UK-3102.pdf
UK-3102-HG	https://www.tsbrass.com/files/drawings/UK/UK-3102-HG.pdf
UK-3103	https://www.tsbrass.com/files/drawings/UK/UK-3103.pdf
UK-6DF00	https://www.tsbrass.com/files/drawings/UK/UK-6DF00.pdf
UK-6DF10	https://www.tsbrass.com/files/drawings/UK/UK-6DF10.pdf
UK-6DF12	https://www.tsbrass.com/files/drawings/UK/UK-6DF12.pdf
UK-6DP00-A	https://www.tsbrass.com/files/drawings/UK/UK-6DP00-A.pdf
UK-6DP12-L	https://www.tsbrass.com/files/drawings/UK/UK-6DP12-L.pdf
UK-7DF00	https://www.tsbrass.com/files/drawings/UK/UK-7DF00.pdf
UK-7DF06	https://www.tsbrass.com/files/drawings/UK/UK-7DF06.pdf
UK-7DF12	https://www.tsbrass.com/files/drawings/UK/UK-7DF12.pdf
UK-7DP00	https://www.tsbrass.com/files/drawings/UK/UK-7DP00.pdf
UK-7DP00-A	https://www.tsbrass.com/files/drawings/UK/UK-7DP00-A.pdf
UK-7DP00-L	https://www.tsbrass.com/files/drawings/UK/UK-7DP00-L.pdf
UK-7DP06	https://www.tsbrass.com/files/drawings/UK/UK-7DP06.pdf
UK-7DP12	https://www.tsbrass.com/files/drawings/UK/UK-7DP12.pdf

Product Number	Link
UK-7DP12-A	https://www.tsbrass.com/files/drawings/UK/UK-7DP12-A.pdf
UK-7DP12-L	https://www.tsbrass.com/files/drawings/UK/UK-7DP12-L.pdf
UK-7DP12-LA	https://www.tsbrass.com/files/drawings/UK/UK-7DP12-LA.pdf
UK-8WF00-EE	https://www.tsbrass.com/files/drawings/UK/UK-8WF00-EE.pdf
UK-8WF12-EE	https://www.tsbrass.com/files/drawings/UK/UK-8WF12-EE.pdf
UK-8WP00-A-EE	https://www.tsbrass.com/files/drawings/UK/UK-8WP00-A-EE.pdf
UK-8WP00-EE	https://www.tsbrass.com/files/drawings/UK/UK-8WP00-EE.pdf
UK-8WP12-A-EE	https://www.tsbrass.com/files/drawings/UK/UK-8WP12-A-EE.pdf
UK-8WP12-EE	https://www.tsbrass.com/files/drawings/UK/UK-8WP12-EE.pdf

You can find T&S products at the following companies:



WALT DISNEY Parks and Resorts



LOUVRE ABU DHABI ■■■■■■■■■■ اللوفر أبوظبي



COMPANY MISSION

To achieve profitable growth by designing, producing, and marketing high quality products for the food service and institutional markets, both domestically and internationally.

To progressively operate the company in a manner beneficial to the stockholders, employees, customers, and the communities in which we work.

To be the premier company of quality commercial, institutional, and industrial products by being innovative, creative, and aggressive, while maintaining a financially secure foundation.

COMPANY STATEMENT

Provide high quality solutions for the food service, plumbing and institutional markets with exceptional customer service.

WARRANTY INFORMATION

All T&S products are warranted to be free from defects in material and workmanship for a period of one (1) year from the date of purchase. Liability is limited thereunder to factory repair and/or replacement of material found to be defective, after examination by T&S, during the warranty period. No claims for labor, shipping costs or consequential damages will be accepted or honored.

Replacement and/or repair under this warranty will be made within a reasonable time after receipt by T&S of the allegedly defective item.

Items which have received secondary finishing or have been altered in any way after purchase are not covered by this warranty. Claims resulting from damaged cartons must be filed with the carrier.

Some states do not allow limitations on how long an implied warranty lasts or on the exclusion of incidental or consequential damages, so all the limitations or exclusions appearing herein may not be permitted by your state and, therefore, your local statutes should be consulted with respect thereto or with respect to any other rights which your state statutes may specifically confer on you.

After receiving proper authorization, all returns of merchandise which are claimed defective under this warranty must be sent to T&S Brass and Bronze Works, Inc., P.O. Box 1088, 2 Saddleback Cove, Travelers Rest, SC 29690, clearly marked to the attention of the Warranty Repair Department. Shipping charges, both ways, shall be paid by the customer.



www.tsbrass.com

T&S BRASS AND BRONZE WORKS, INC.

2 Saddleback Cove • P.O. Box 1088 • Travelers Rest, SC 29690

U.S. Toll-free 800-476-4103 • +1 864-834-6715 • Fax +1 800-868-0084 • internationalsales@tsbrass.com

