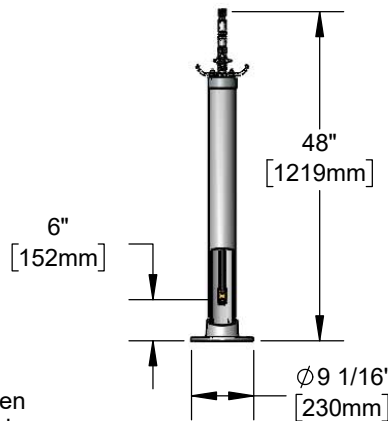
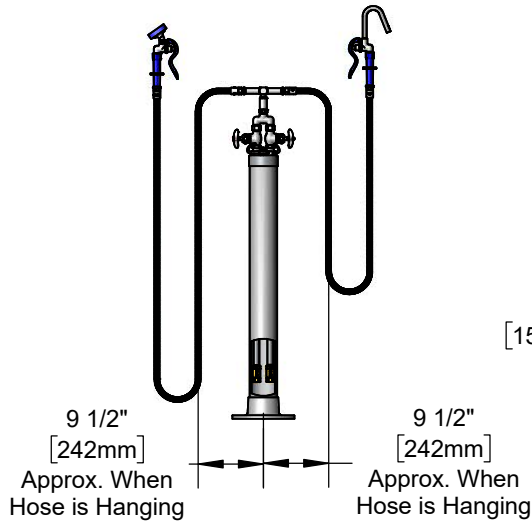
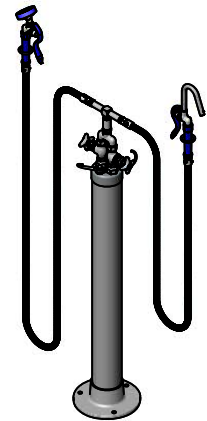




Architect/Engineering Specifications:

Stanchion with chrome plated brass body, swivel tee, 104" and 68" flexible stainless steel hoses with heat resistant handles, high flow angled spray valve, spray valve with hook nozzle, control valves with compression cartridges, 4-arm handles and finger hooks. Certified to ASME A112.18.1/CSA B125.1, NSF 61-Section 9 and NSF 372.

Job Name \_\_\_\_\_  
 Model Specified \_\_\_\_\_ Quantity \_\_\_\_\_  
 Variations Specified \_\_\_\_\_  
 Date \_\_\_\_\_



Features & Benefits:

- Stanchion w/ polished chrome plated brass body
- Two check valves
- Swivel tee
- 104" flexible stainless steel hose with heat resistant blue handle and hold down ring
- 68" flexible stainless steel hose with heat resistant blue handle and hold down ring
- High flow spray valve
- Spray valve with hook nozzle
- Control Valves w/ Big-Flo compression cartridges
- 4-arm handles w/ color coded indexes
- Two finger hooks mounted on stanchion
- Material: Polished chrome plated brass body, swivel tee and spray valve bodies, chrome plated metal handles and stainless steel hose

Product Compliance:

- ASME A112.18.1 / CSA B125.1
- NSF 61 - Section 9
- NSF 372 (Low Lead Content)
- 2019 DOE PRSV Non-Compliant



Warranty: One Year (Limited)

Performance Data:

- Pressure: 20 - 125 psi
- Temperature: 40 °F - 140 °F
- Flow Rate:
  - Spray Valve: 2.68 GPM @ 60 psi
  - Hook Nozzle: 3.18 GPM @ 60 psi

