



T&S BRASS AND BRONZE WORKS, INC.

2 Saddleback Cove / P.O. Box 1088
Travelers Rest, SC 29690

Model No.
EC-3100-7XF1THG

Item No.

Travelers Rest, SC: 800-476-4103 • Simi Valley, CA: 800-423-0150 • Fax: 864-834-3518 • www.tsbrass.com



ADA Compliant



This Space for Architect/Engineer Approval

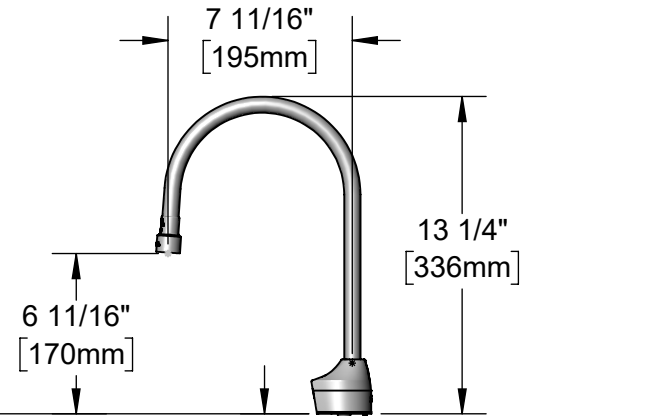
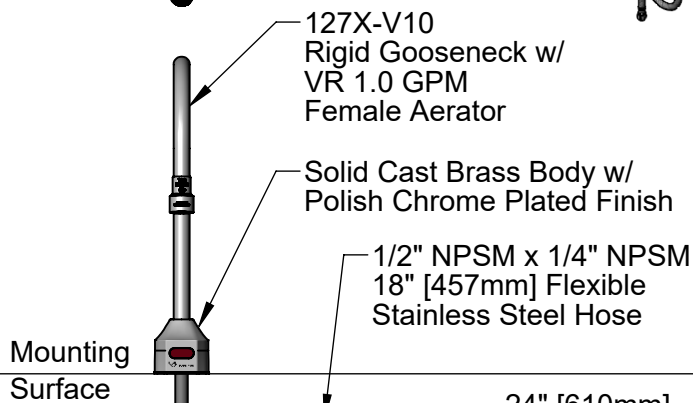
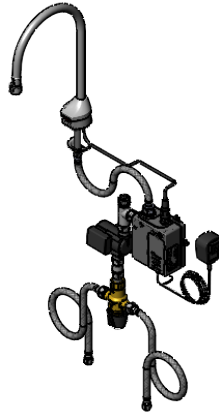
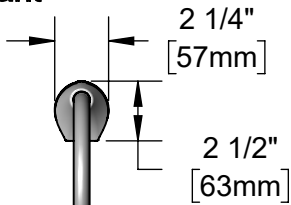
Job Name _____ Date _____

Model Specified _____ Quantity _____

Customer/Wholesaler _____

Contractor _____

Architect/Engineer _____



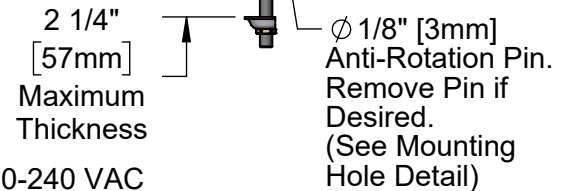
Removable Strainer
EC-HYDROGEN Hydro-Generator Power Supply. No AA Batteries or AC Adapter Needed to Supply Power to Faucet

EC-TMV Thermostatic Temperature Mixing Valve w/ Check Valves

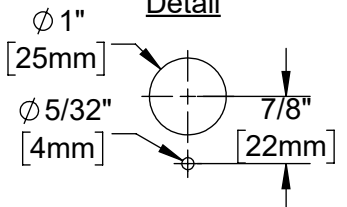
Optional 100-240 VAC Adapter w/ 72 inch [1800mm] Power Cord

4 inch x 4 3/8 inch x 2 3/16 inch Deep [102mm x 111mm x 56mm] Water Resistant Control Module Box (Grey) w/ Internal Flow Control Setting Switches AC or DC Operated w/ (4) AA Batteries Hardwire Capable Using Terminals on Back

(2) 3/8 inch Compression x 1/2 inch NPSM 18 inch [457mm] Flexible Stainless Steel Supply Hoses



Mounting Hole Detail



Product Specifications:

Chrome Plated Brass Electronic Faucet: Deck Mount, Rigid Gooseneck w/ VR 1.0 GPM Aerator, AC/DC Control Module w/ Internal Flow Control Setting Switches, Thermostatic Temperature Control Mixing Valve w/ Integral Check Valves, Hydro-Generator & 18 inch Flexible Stainless Steel Supply Hoses

Product Compliance:

ASME A112.18.1 / CSA B125.1
NSF 61 - Section 9
NSF 372 (Low Lead Content)
ANSI A117.1 (ADA)
UL 1951
ASSE 1070 (TMV)



T&S BRASS AND BRONZE WORKS, INC.

2 Saddleback Cove / P.O. Box 1088
Travelers Rest, SC 29690

Model No.
EC-3100-7XF1THG

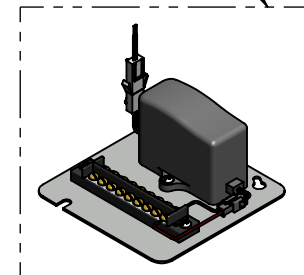
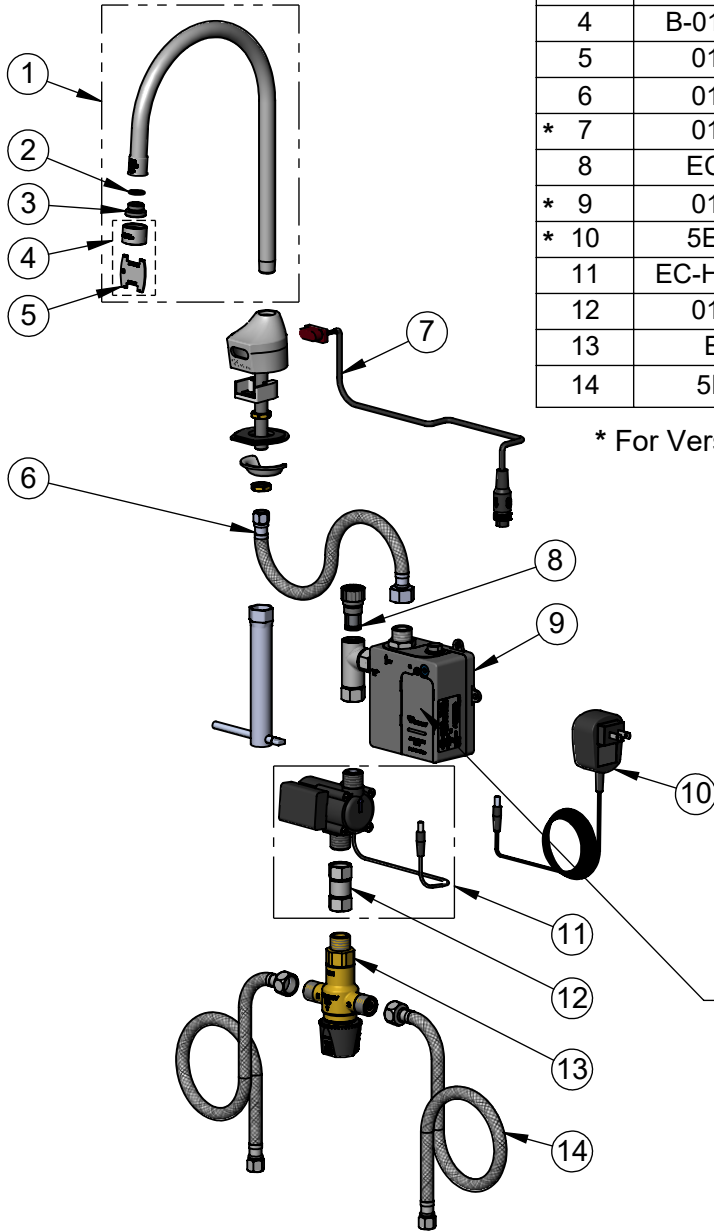
Item No.

Travelers Rest, SC: 800-476-4103 • Simi Valley, CA: 800-423-0150 • Fax: 864-834-3518 • www.tsbrass.com

ITEM NO.	SALES NO.	DESCRIPTION
1	127X-V10	Rigid Gooseneck w/ VR 1.0 GPM Aerator
2	006575-45	O-Ring
3	044A	3/8" to Aerator Adapter
4	B-0199-06-F10	VR 1.0 GPM Aerator, 55/64-27 UN Female w/ Key
5	015425-45	Vandal Resistant Key
6	016297-45	Inlet Hose, Faucet, 1/2" NPSM-F x 1/4" NPSM-F
* 7	019174-45	Sensor Cable Assembly
8	EC-FILTER	Replacement Filter
* 9	019944-45	ChekPoint Control Module w/ Filter Tee
* 10	5EF-0002C	AC Adapter - US Plug
11	EC-HYDROGEN	HydroGenerator Power Supply
12	017506-45	1/2" NPSM Swivel Coupling
13	EC-TMV	Thermostatic Mixing Valve
14	5EF-0005	Supply Hose, 9/16-24 Female x 1/2" NPSM

* For Versions Prior to 2021, Consult with T&S Customer Service

A Maximum of (8) ChekPoint Faucets can be Hardwire Connected and Powered by EC-HARDWIRE ChekPoint Hardwire AC Transformer. (Sold Separately)



Flow Control Switches are Located Behind Battery Compartment Cover.

* Switches are Set to DEFAULT Position:

- Auto Time Out = 15 Seconds
- Shut Off Delay = 1 Second
- Auto Flush = OFF
- Metering Mode = OFF

* Available Water Flow Control Selections:

- Auto Time Out: 15 sec, 30 sec, 45 sec, 60 sec, 3 min, 20 min
- Shut Off Delay: 1 sec, 10 sec, 15 sec, 30 sec
- Auto Flush (30 Seconds After Every 12 Inactive Hours): ON or OFF
- Metering Mode: ON or OFF

Product Specifications:

Chrome Plated Brass Electronic Faucet: Deck Mount, Rigid Gooseneck w/ VR 1.0 GPM Aerator, AC/DC Control Module w/ Internal Flow Control Setting Switches, Thermostatic Temperature Control Mixing Valve w/ Integral Check Valves, Hydro-Generator & 18" Flexible Stainless Steel Supply Hoses

Product Compliance:

ASME A112.18.1 / CSA B125.1
NSF 61 - Section 9
NSF 372 (Low Lead Content)
ANSI A117.1 (ADA)
UL 1951
ASSE 1070 (TMV)