



T&S BRASS AND BRONZE WORKS, INC.
 2 Saddleback Cove / P.O. Box 1088
 Travelers Rest, SC 29690

Model No.
0RK3

Item No.

Travelers Rest, SC: 800-476-4103 • Simi Valley, CA: 800-423-0150 • Fax: 864-834-3518 • www.tsbrass.com



ADA Compliant

This Space for Architect/Engineer Approval

Job Name _____ Date _____

Model Specified _____ Quantity _____

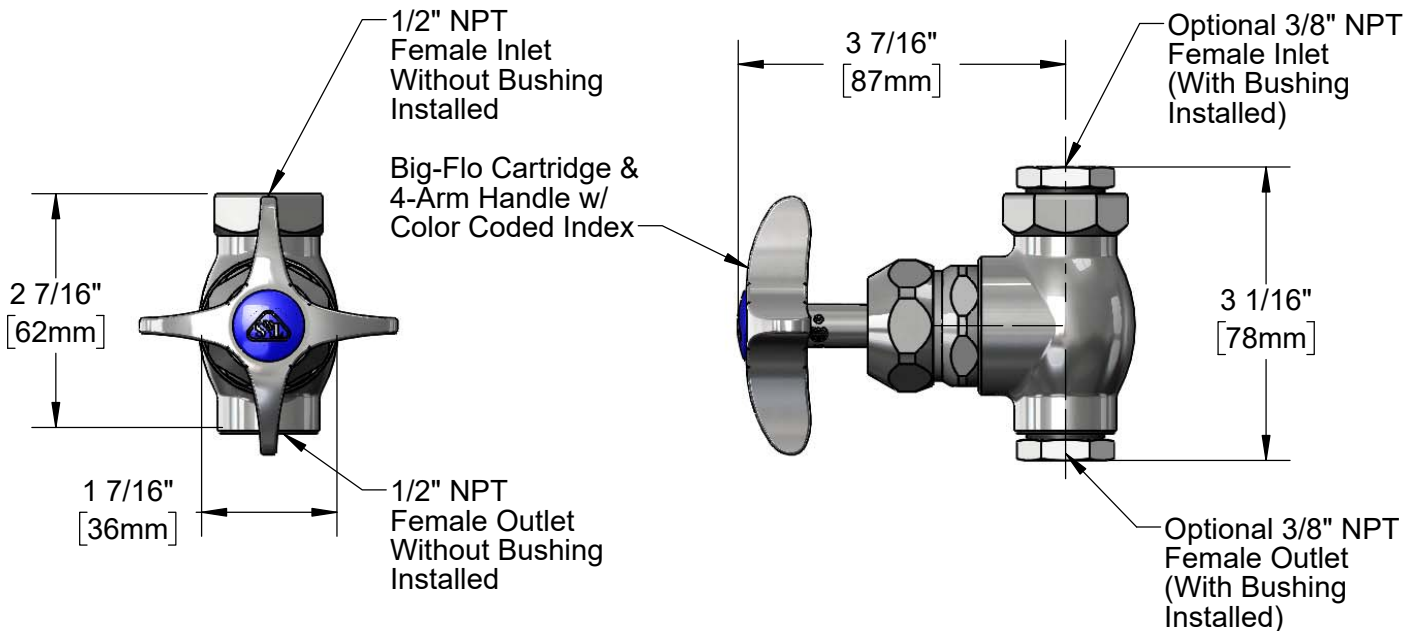
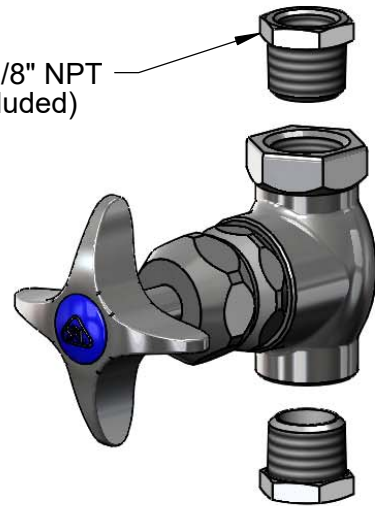
Customer/Wholesaler _____

Contractor _____

Architect/Engineer _____



(2) 1/2" NPT Male x 3/8" NPT Female Bushings (Included)



Product Specifications:
 1/2" NPT Inlet / Outlet Female Valve w/ Loose Bushings for Optional 3/8" NPT Female Connections, 4-Arm Handle & Big-Flo Cartridge

Product Compliance:
 ASME A112.18.1 / CSA B125.1
 NSF 61 - Section 9
 NSF 372 (Low Lead Content)
 ANSI A117.1 (ADA)



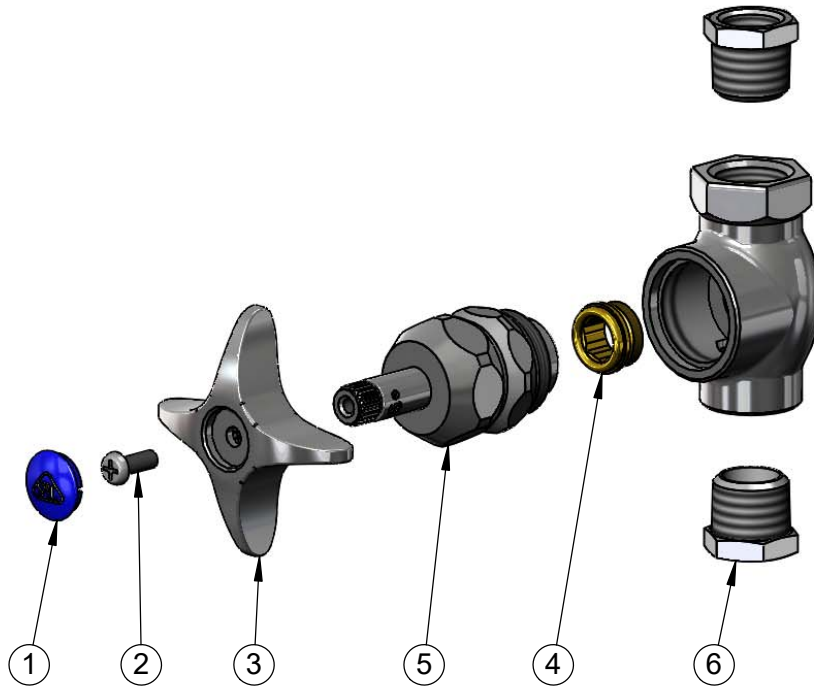
T&S BRASS AND BRONZE WORKS, INC.
 2 Saddleback Cove / P.O. Box 1088
 Travelers Rest, SC 29690

Model No.
0RK3

Item No.

Travelers Rest, SC: 800-476-4103 • Simi Valley, CA: 800-423-0150 • Fax: 864-834-3518 • www.tsbrass.com

ITEM NO.	SALES NO.	DESCRIPTION
1	018506-19NS	Blue Button Index, Press-in
2	000925-45	Lab Handle Screw
3	002521-45NS	4-Arm Handle (New Style)
4	000764-20	Seat, Big-Flo
5	006482-40NS	Big-Flo Cartridge, RTC
6	001359-40	Hex Bushing, 1/2" NPT Male x 3/8" NPT Female



Product Specifications:
 1/2" NPT Inlet / Outlet Female Valve w/ Loose Bushings
 for Optional 3/8" NPT Female Connections, 4-Arm Handle
 & Big-Flo Cartridge

Product Compliance:
 ASME A112.18.1 / CSA B125.1
 NSF 61 - Section 9
 NSF 372 (Low Lead Content)
 ANSI A117.1 (ADA)