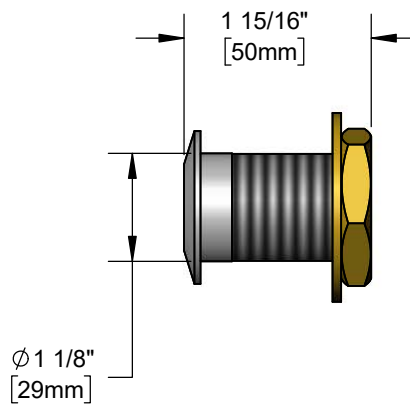
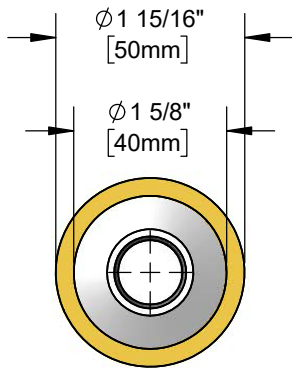
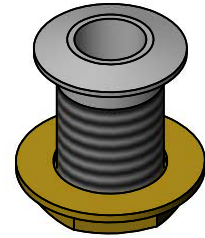




Architect/Engineering Specifications:

Polished chrome plated 1 1/8-18 UNEF flush plate with washer and locknut.

Job Name _____
 Model Specified _____ Quantity _____
 Variations Specified _____
 Date _____



Features & Benefits:

- Flush plate
- Lock washer
- Locknut
- Material: Polished chrome plated brass

Product Compliance:

- N/A

Warranty: One Year (Limited)

Performance Data:

- N/A

