



Eyewash Stations
EW-SP21FC

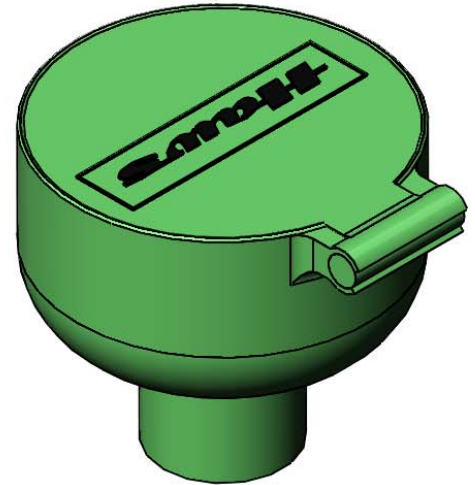
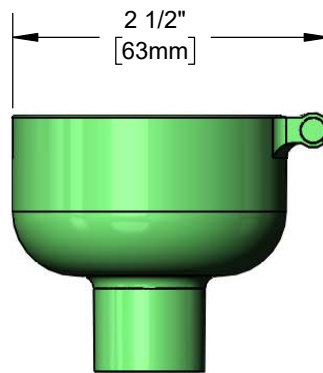
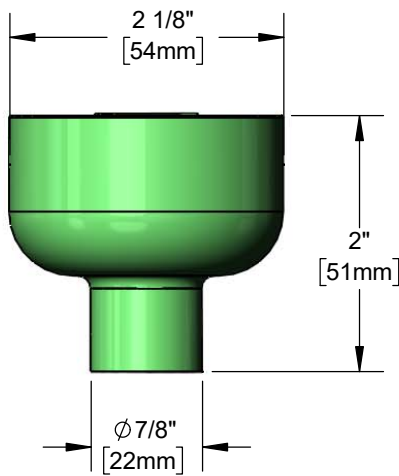
TAG:

Eye/Face Wash Head

Architect/Engineering Specifications:

Safety green eye/face wash head with built-in 2.5 GPM flow control, flip top dust cover and 1/4" NPT female inlet.

Job Name _____
 Model Specified _____ Quantity _____
 Variations Specified _____
 Date _____



Features & Benefits:

- Safety green eye/face wash head
- Built-in 2.5 GPM flow control
- Flip top dust cover
- 1/4" NPT female inlet
- Material: ABS Plastic

Product Compliance:

- NSF 61 Exempt (Non-Potable)



Warranty: One Year (Limited)

Performance Data:

- Pressure: 30 - 90 psi [2.07 - 6.21 bar]
- Temperature: 60 °F - 100 °F [15.56 °C - 37.78 °C]
- Flow Rate: 2.5 GPM [9.46 L/min] @ 60 psi [4.14 bar]



T&S BRASS AND BRONZE WORKS, INC.



• 2 Saddleback Cove • Travelers Rest, SC 29690
 Ph 800-476-4103 • Fax 864-834-3518
 • Simi Valley, CA • Ph 800-423-0150 • www.tsbrass.com

Date: 02/19/21