



# T&S BRASS AND BRONZE WORKS, INC.

2 Saddleback Cove / P.O. Box 1088  
Travelers Rest, SC 29690

Model No.

**B-0665-BSTR-963**

Item No.

Travelers Rest, SC: 800-476-4103 • Simi Valley, CA: 800-423-0150 • Fax: 864-834-3518 • www.tsbrass.com



**ADA Compliant**

This Space for Architect/Engineer Approval

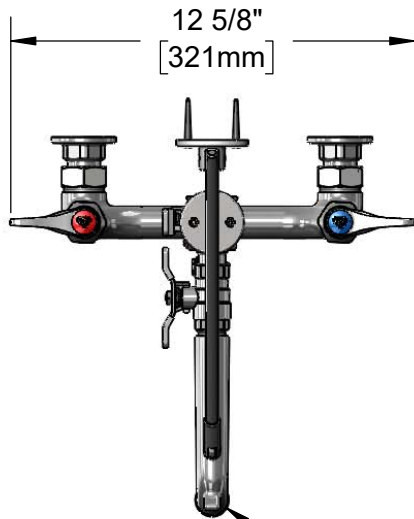
Job Name \_\_\_\_\_ Date \_\_\_\_\_

Model Specified \_\_\_\_\_ Quantity \_\_\_\_\_

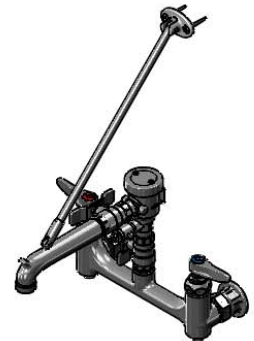
Customer/Wholesaler \_\_\_\_\_

Contractor \_\_\_\_\_

Architect/Engineer \_\_\_\_\_



Garden Hose  
Male Outlet



Quarter-Turn  
Eterna Cartridges w/  
Spring Checks &  
Lever Handles w/  
Color Coded Indexes

Items Not Shown  
for Clarity

B-0963  
Vacuum  
Breaker

Ø2" [51mm]  
Flanges w/  
1/2" NPT  
Female Inlets

Integral  
Service  
Stop

3 7/8"  
[99mm]

8"  
[203mm]  
Adjustable from  
7 3/4" to 8 1/4"  
[197mm to 210mm]

Support Rod  
Furnished w/ Wall  
Bracket &  
Mounting Screws

15 3/4"  
[400mm]

8 11/16"  
[220mm]

2 11/16"  
[68mm]

Mounting Surface

### Product Specifications:

Wall Mount Service Sink, Rough Chrome with Integral Service Stops, Quarter-Turn Eterna Cartridges w/ Spring Checks, Lever Handles and Continuous Pressure Vacuum Breaker w/ Quarter-Turn Ball Valves

### Product Compliance:

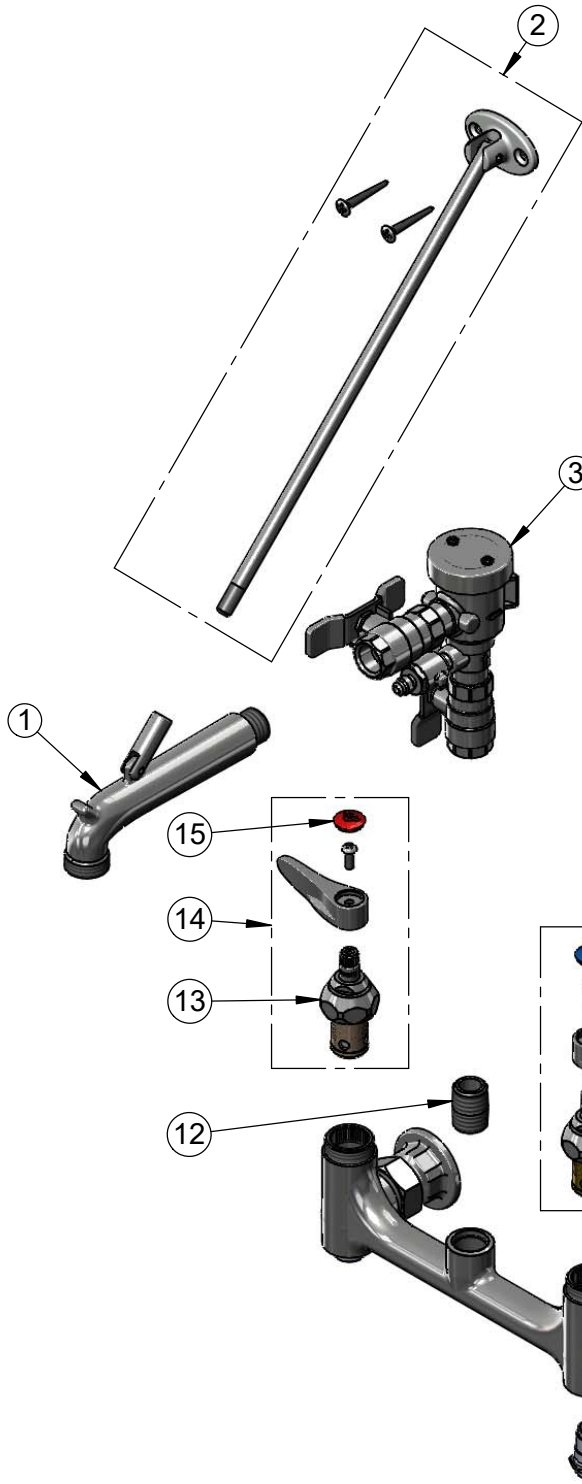
ASME A112.18.1 / CSA B125.1  
NSF 61 - Section 9  
NSF 372 (Low Lead Content)  
ASSE 1056 (VB)  
ANSI A117.1 (ADA)



**T&S BRASS AND BRONZE WORKS, INC.**  
 2 Saddleback Cove / P.O. Box 1088  
 Travelers Rest, SC 29690

Model No.  
**B-0665-BSTR-963**  
 Item No.

Travelers Rest, SC: 800-476-4103 • Simi Valley, CA: 800-423-0150 • Fax: 864-834-3518 • www.tsbrass.com



ITEM NO.	SALES NO.	DESCRIPTION
1	009545-25	Spout w/ Male Garden Hose Outlet & Upper Clevis- Rough Chrome
2	009546-40	Support Rod B-0665 - Polish Chrome
3	B-0963	Vacuum Breaker 1/2 NPT Female
4	018506-19NS	Blue Button Index, Press-in
5	000925-45	Lab Handle Screw
6	001638-45NS	Lever Handle (New Style)
7	012442-40NS	Quarter-Turn Eterna Cartridge w/ Spring Check, LTC
8	002711-40NS	Quarter-Turn Eterna Cartridge w/ Spring Check, Handle, Blue Index & Screw, LTC
9	163A	BST Assembly, 163A
10	001019-45	Coupling Nut Washer
11	00AA	1/2" NPT Female Eccentric Flange
12	002534-25	Close Nipple, 1/2" NPT
13	012443-40NS	Quarter-Turn Eterna Cartridge w/ Spring Check, RTC
14	002712-40NS	Quarter-Turn Eterna Cartridge w/ Spring Check, Handle, Red Index & Screw, RTC
15	001193-19NS	Red Button Index, Press-in

**Product Specifications:**  
 Wall Mount Service Sink, Rough Chrome with Integral Service Stops, Quarter-Turn Eterna Cartridges w/ Spring Checks, Lever Handles and Continuous Pressure Vacuum Breaker w/ Quarter-Turn Ball Valves

**Product Compliance:**  
 ASME A112.18.1 / CSA B125.1  
 NSF 61 - Section 9  
 NSF 372 (Low Lead Content)  
 ASSE 1056 (VB)  
 ANSI A117.1 (ADA)