



**ADA Compliant**

*This Space for Architect/Engineer Approval*

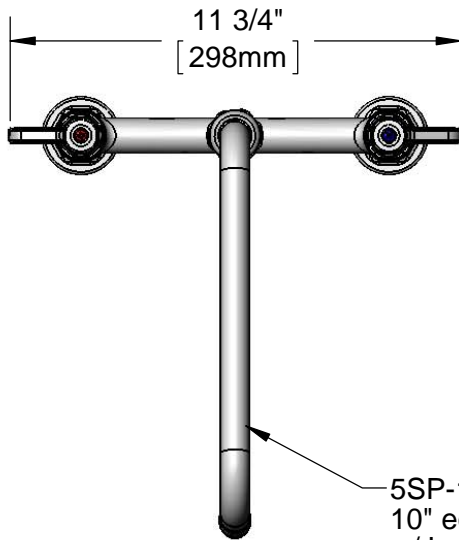
Job Name \_\_\_\_\_ Date \_\_\_\_\_

Model Specified \_\_\_\_\_ Quantity \_\_\_\_\_

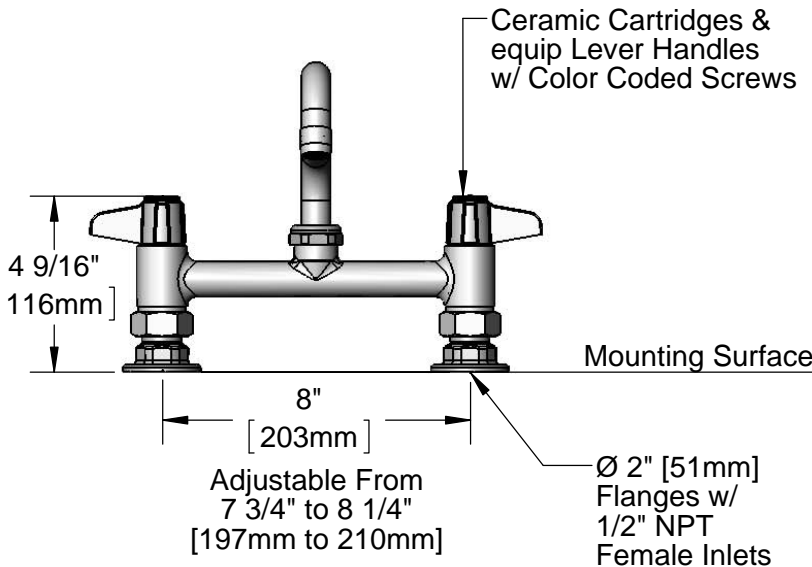
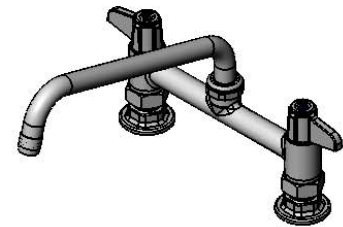
Customer/Wholesaler \_\_\_\_\_

Contractor \_\_\_\_\_

Architect/Engineer \_\_\_\_\_



5SP-10  
10" equip Swing Nozzle  
w/ Laminar Flow Device.  
Rigid Conversion Requires  
014200-45 Lock Washer  
(Sold Separately)

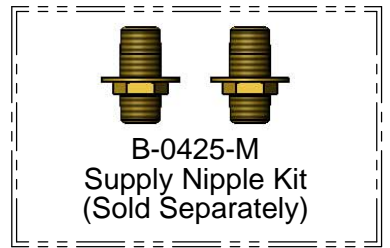
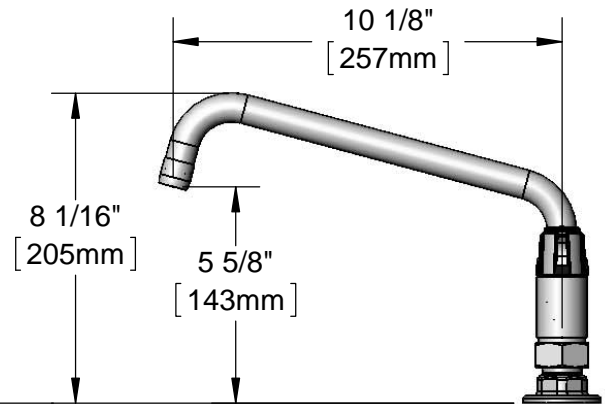


Ceramic Cartridges &  
equip Lever Handles  
w/ Color Coded Screws

Mounting Surface

Adjustable From  
7 3/4" to 8 1/4"  
[197mm to 210mm]

Ø 2" [51mm]  
Flanges w/  
1/2" NPT  
Female Inlets



Model Number

**5F-8DLX10**

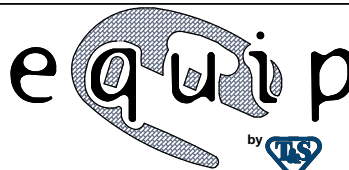
Product Specifications:

**8" Deck Mount Mixing Faucet, Ceramic Cartridges,  
equip Lever Handles, 10" equip Swing Nozzle  
& 1/2" NPT Female Inlets**

Product Compliance:

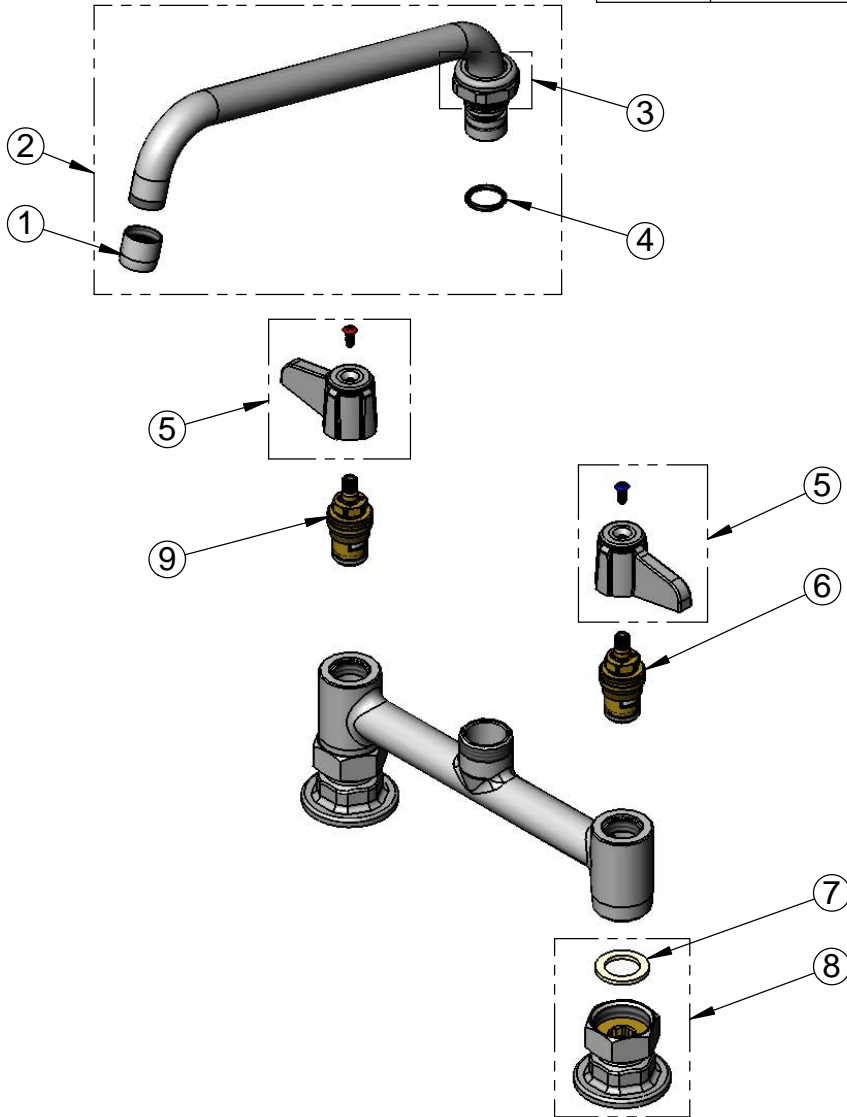
ASME A112.18.1 / CSA B125.1  
NSF 61 - Section 9  
NSF 372 (Low Lead Content)  
ANSI A117.1 (ADA)

equip  
Foodservice  
Accessories



2 Saddleback Cove, P.O. Box 1088  
Travelers Rest, South Carolina 29690  
Phone: 800.891.4808 Fax: 800.868.0084  
equip.tsbrass.com

ITEM NO.	SALES NO.	DESCRIPTION
1	014250-45	Laminar Flow Device
2	5SP-10	10" equip Swing Nozzle
3	013839-25	equip Swivel Nut
4	013848-45	equip Swivel Piece O-Ring
5	5-HDL-L	equip Lever Handle w/ Color Coded Screws
6	013788-45	equip Ceramic Cartridge, LTC
7	001019-45	Coupling Nut Washer
8	00AA	1/2" NPT Female Eccentric Flange
9	013787-45	equip Ceramic Cartridge, RTC



Model Number

**5F-8DLX10**

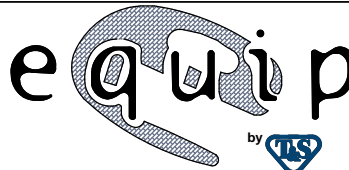
Product Specifications:

8" Deck Mount Mixing Faucet, Ceramic Cartridges,  
equip Lever Handles, 10" equip Swing Nozzle  
& 1/2" NPT Female Inlets

Product Compliance:

ASME A112.18.1 / CSA B125.1  
NSF 61 - Section 9  
NSF 372 (Low Lead Content)  
ANSI A117.1 (ADA)

equip  
Foodservice  
Accessories



2 Saddleback Cove, P.O. Box 1088  
Travelers Rest, South Carolina 29690  
Phone: 800.891.4808 Fax: 800.868.0084  
equip.tsbrass.com