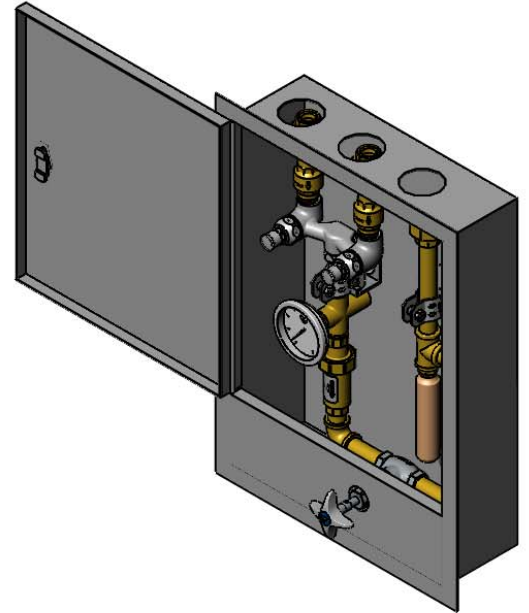
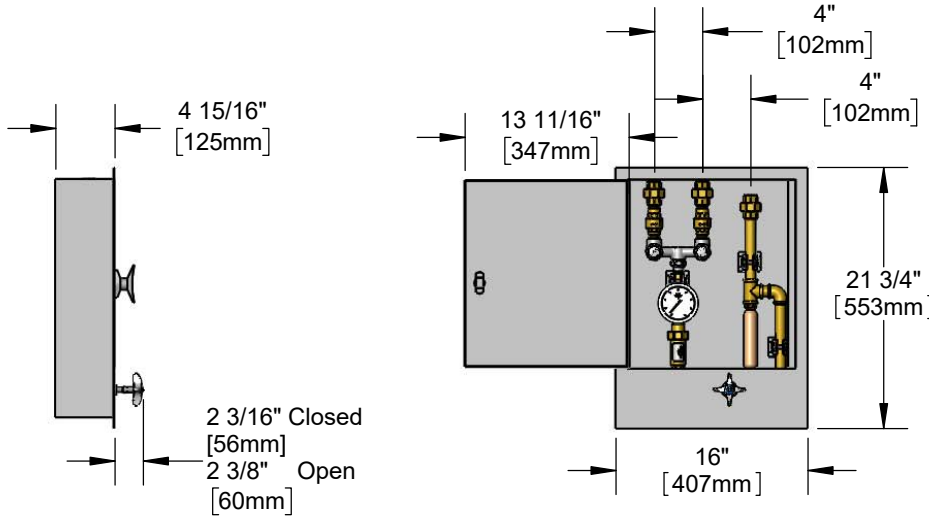




Architect/Engineering Specifications:

Water control unit with stainless steel water control cabinet containing 1/2" union inlets and outlet, 1/2" check valves, loose key mixing valve with compression cartridges with spring checks, bi-metallic thermometer, dual check valve backflow preventer, shut-off valve and water hammer arrestor. Certified to ASSE 1024 and ASSE 1010.

Job Name _____
 Model Specified _____ Quantity _____
 Variations Specified _____
 Date _____



Features & Benefits:

- Flush mount stainless steel control cabinet with locking latch contains water control system
- 1/2" NPT female union inlets (2) and outlet
- 1/2" in-line check valves
- Loose key mixing valve with Eterna compression cartridges, tee handles and screws
- Bi-metallic thermometer with $\phi 3"$ dial face
- Dual check valve backflow preventer
- Shut-off valve with 4-arm handle operable from outside of closed cabinet
- Material: Stainless steel cabinet, chrome plated metal handle and brass control unit components.

Product Compliance:

- NSF 61 Exempt (Non-Potable)
- ASSE 1024 (VB)
- ASSE 1010 (Arrestor)



Warranty: One Year (Limited)

Performance Data:

- Pressure: 20 - 125 psi [1.38 - 8.62 bar]
- Temperature: 40 °F - 140 °F [4.44 °C - 60 °C]
- Flow Rate: 12.90 GPM [8.3 L/min] @ 60 psi [4.14 bar]

