



T&S BRASS AND BRONZE WORKS, INC.
 2 Saddleback Cove / P.O. Box 1088
 Travelers Rest, SC 29690

Model No.
BL-4005-01

Item No.

Travelers Rest, SC: 800-476-4103 • Simi Valley, CA: 800-423-0150 • Fax: 864-834-3518 • www.tsbrass.com

Notes:

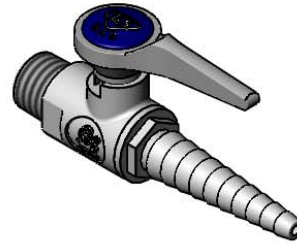
1. Ball Valve Construction Provides On/Off Control of Laboratory Gases.
 (For Oxygen, Hydrogen or Where Fine Metering Adjustment is Needed, BL-4010-01 Gas Cock is Recommended.)
2. ANSI Z21.15/ CSA 9.1 Certified for Natural Gas (0.5 PSIG Max.)
3. Rated Pressure for Laboratory Gases: 125 PSIG Max.

This Space for Architect/Engineer Approval

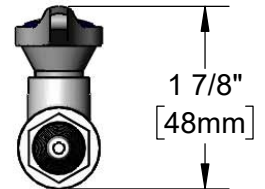
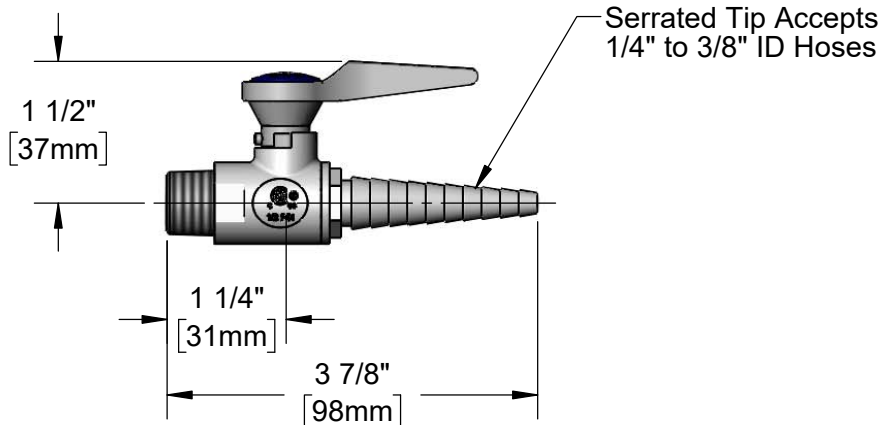
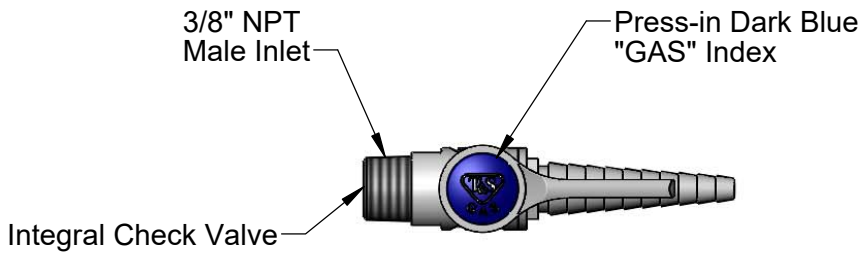
Job Name _____ Date _____
 Model Specified _____ Quantity _____
 Customer/Wholesaler _____
 Contractor _____
 Architect/Engineer _____



ADA Compliant



209L-AIR-NS
 Index
 Included



Product Specifications:
 Chrome Plated Brass Ball Valve Hose Cock w/ Integral Check Valve,
 "GAS" and "AIR" Snap-in Indexes

Product Compliance:
 ANSI Z21.15a / CSA 9.1a (Gas Valves)
 ANSI A117.1 (ADA)



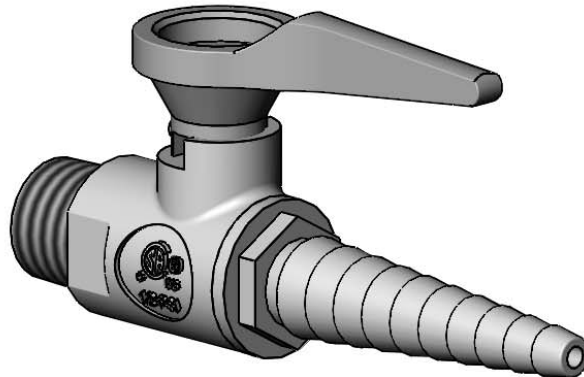
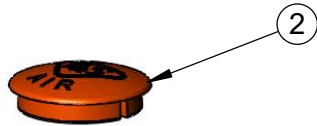
T&S BRASS AND BRONZE WORKS, INC.
2 Saddleback Cove / P.O. Box 1088
Travelers Rest, SC 29690

Model No.
BL-4005-01

Item No.

Travelers Rest, SC: 800-476-4103 • Simi Valley, CA: 800-423-0150 • Fax: 864-834-3518 • www.tsbrass.com

| ITEM NO. | SALES NO. | DESCRIPTION |
|----------|-------------|----------------------------------|
| 1 | 209L-GAS-NS | Dark Blue "GAS" Lab Button Index |
| 2 | 209L-AIR-NS | Orange "AIR" Lab Button Index |



Product Specifications:
Chrome Plated Brass Ball Valve Hose Cock w/ Integral Check Valve,
"GAS" and "AIR" Snap-in Indexes

Product Compliance:
ANSI Z21.15a / CSA 9.1a (Gas Valves)
ANSI A117.1 (ADA)