



T&S BRASS AND BRONZE WORKS, INC.

2 Saddleback Cove / P.O. Box 1088
Travelers Rest, SC 29690

Model No.

B-2343

Item No.

Travelers Rest, SC: 800-476-4103 • Simi Valley, CA: 800-423-0150 • Fax: 864-834-3518 • www.tsbrass.com

This Space for Architect/Engineer Approval

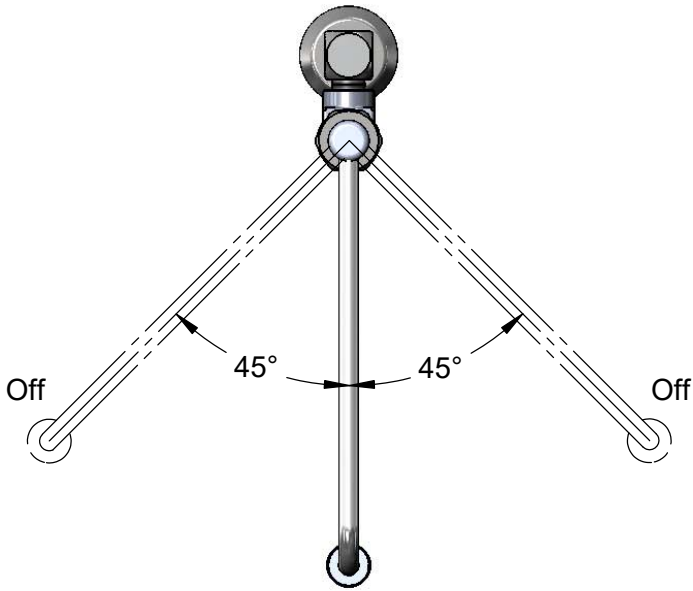
Job Name _____ Date _____

Model Specified _____ Quantity _____

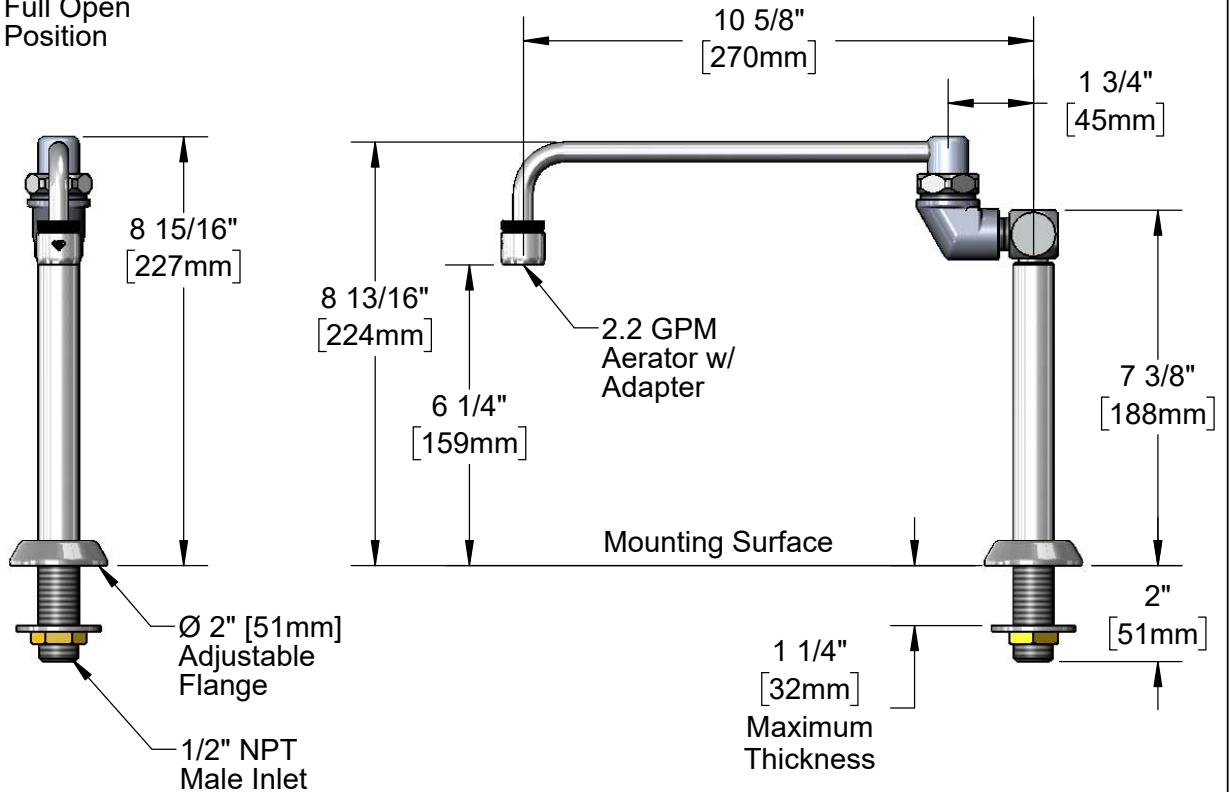
Customer/Wholesaler _____

Contractor _____

Architect/Engineer _____



Full Open Position



Rough-In Requirement:
Ø 1" [25mm] Mounting Hole

Product Specifications:
Chinese Pedestal Faucet

Product Compliance:
ASME A112.18.1 / CSA B125.1
NSF 61 - Section 9
NSF 372 (Low Lead Content)
ANSI A117.1 (ADA)



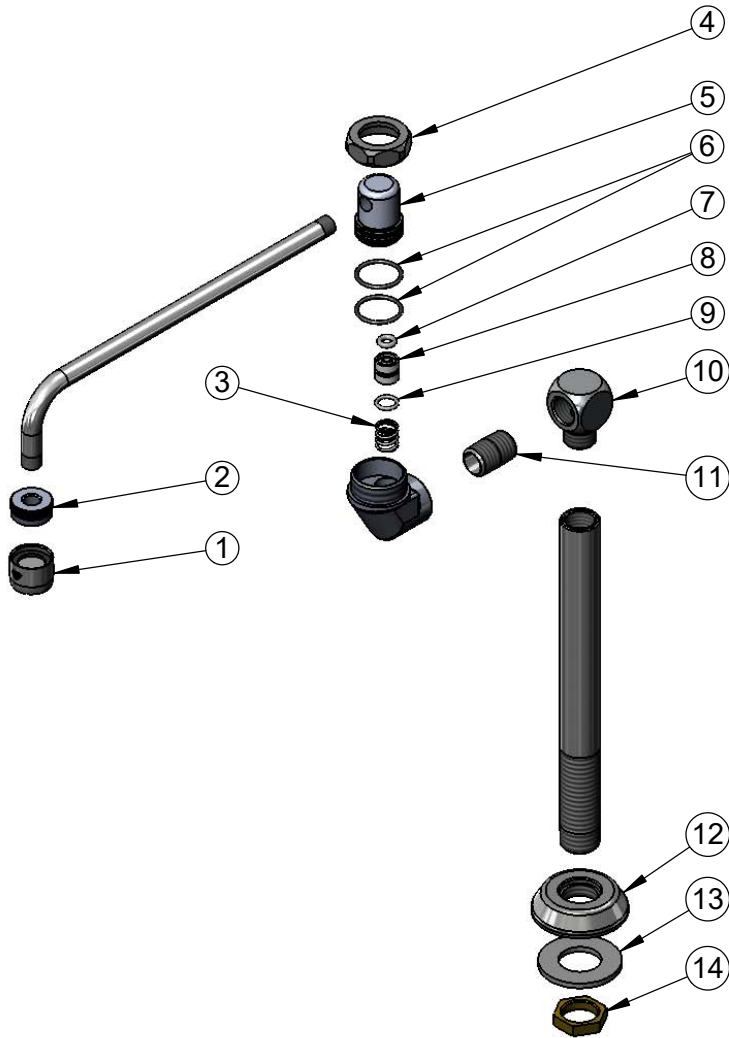
T&S BRASS AND BRONZE WORKS, INC.
 2 Saddleback Cove / P.O. Box 1088
 Travelers Rest, SC 29690

Model No.
B-2343

Item No.

Travelers Rest, SC: 800-476-4103 • Simi Valley, CA: 800-423-0150 • Fax: 864-834-3518 • www.tsbrass.com

ITEM NO.	SALES NO.	DESCRIPTION
1	B-0199-01	2.2 GPM Aerator, 55/64"-27 UN Female
2	001624-25	Adapter, 1/8" Female
3	001625-45	Wrist Action Return Spring
4	001623-40	Pedestal Swivel Nut
5	001622-24	Pedestal Swivel Piece
6	006562-45	O-Ring
7	009268-45	O-Ring
8	001621-20	Dynamic Bearing
9	009267-45	O-Ring
10	000741-40	Pedestal Cube
11	002535-25	3/8" Close Nipple
12	000024-40	Pedestal Flange
13	001033-45	Pedestal Washer
14	002954-45	Shank Lock Nut



Product Specifications:
 Chinese Pedestal Faucet

Product Compliance:
 ASME A112.18.1 / CSA B125.1
 NSF 61 - Section 9
 NSF 372 (Low Lead Content)
 ANSI A117.1 (ADA)