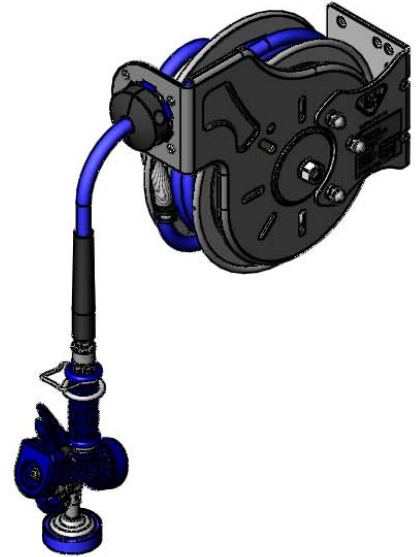
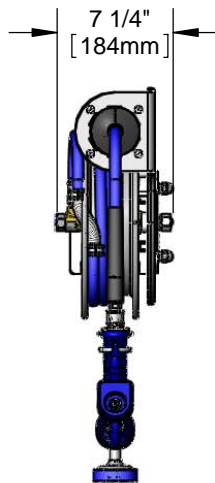
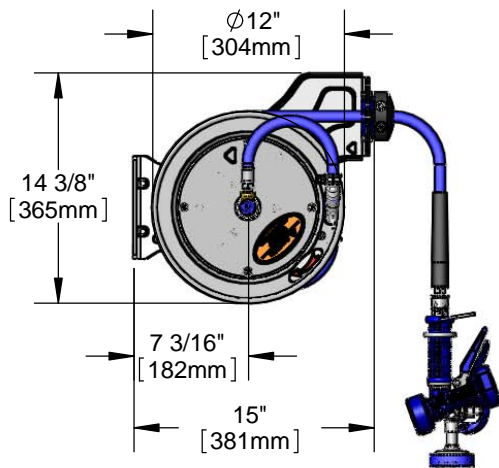




Architect/Engineering Specifications:

Open stainless steel hose reel, high flow spray valve with swivel, 3/8" x 15' heavy-duty non-marking hose, ratcheting system, multi-fit bracket, Adjustable hose bumper and 3/8" NPT female inlet.

Job Name	_____		
Model Specified	_____	Quantity	_____
Variations Specified	_____		
Date	_____		



Features & Benefits:

- Open stainless steel hose reel
- Blue high flow spray valve w/ swivel
- 3/8" x 15' heavy-duty non-marking hose rated to 300 PSI
- Ratcheting system holds the length of hose until a slight tug to retract automatically
- 3/8" NPT female inlet
- Adjustable hose bumper
- Multi-fit bracket for wall, ceiling or under counter mounting
- Material: stainless steel open reel and wall bracket, polished chrome plated brass spray valve

Product Compliance:

- NSF 61 Exempt (Non-Potable)
- EPA 2005 Non-Compliant (PRSV)

Warranty: Two Year (Limited)

- Hose: One Year (Limited)

Performance Data:

- Pressure: 20 - 125 psi
- Temperature: 40 °F - 140 °F
- Flow Rate: 3.70 GPM @ 60 psi

Optional Hose Reel Spray Valves

- B-0107 Spray Valve
- B-0108 Ergonomic Medium Flow Spray Valve
- B-0108-H Ergonomic High Flow Spray Valve
- EB-0107 High Flow Spray Valve (Standard)
- EB-2322 Extended Spray Wand
- MV-2516-24 Stainless Steel Rear Trigger Water Gun
- MV-2522-24 Stainless Steel Front Trigger Water Gun
- MV-3516-24 Aluminum Rear Trigger Water Gun

Optional Hose Reel Multi-Fit Brackets

1/4", 3/8", & 1/2" Hose Reel

- G019430-45 EasyInstall Stainless Steel Swing Bracket
- G016652-45 Deck Mount Pivot Bracket

