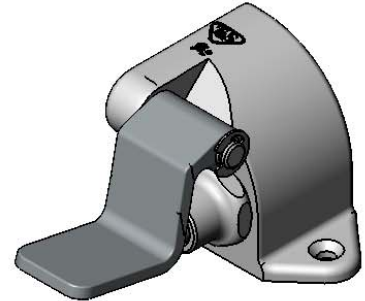
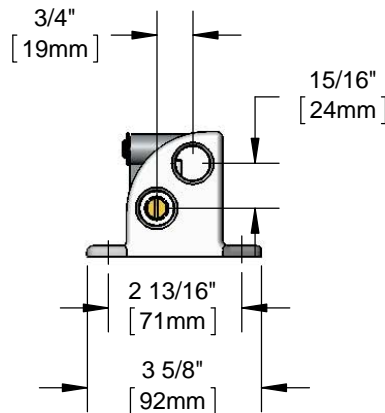
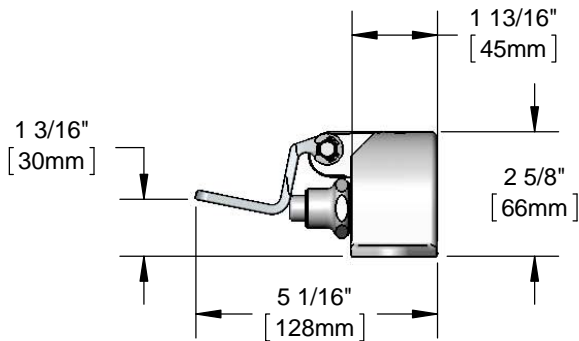




Architect/Engineering Specifications:

Floor mount single pedal valve with polished chrome plated solid brass body and pedal, self-closing valve, check valves, 1/2" NPT female inlet and outlet and mounting screws. Certified to ASME A112.18.1/CSA B125.1, NSF 61-Section 9 and NSF 372.

Job Name _____
Model Specified _____ Quantity _____
Variations Specified _____
Date _____



Features & Benefits:

- Floor mount single pedal valve
- Blank pedal
- Pedal flips up for floor cleaning
- Self-closing valve
- 1/2" Check valves to prevent the cross flow of water
- 1/2" NPT female inlet
- 1/2" NPT female outlet
- Mounting screws included
- Material: Polished chrome brass body & pedal

Optional Cartridges

- Metering Cartridge

Product Compliance:

- ASME A112.18.1 / CSA B125.1
- NSF 61 - Section 9
- NSF 372 (Low Lead Content)



Warranty: One Year (Limited)

Performance Data:

- Pressure: 20 - 125 psi
- Temperature: 40 °F - 140 °F
- Flow Rate: 4.92 GPM @ 60 psi

