



T&S BRASS AND BRONZE WORKS, INC.

2 Saddleback Cove / P.O. Box 1088
Travelers Rest, SC 29690

Model No.

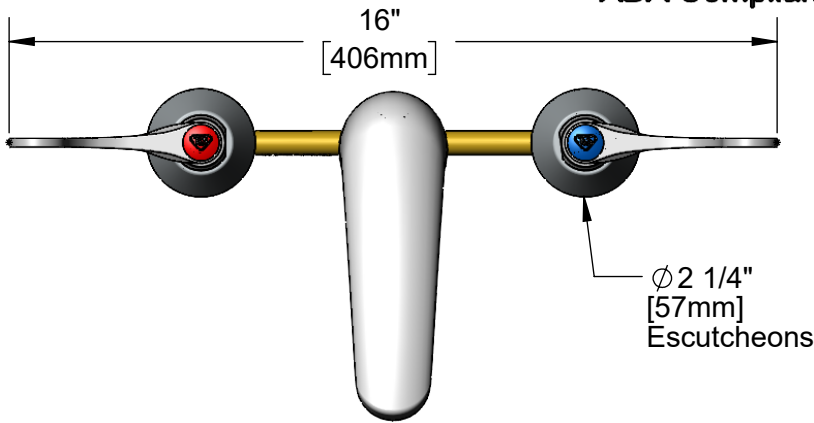
B-2990-WH4

Item No.

Travelers Rest, SC: 800-476-4103 • Simi Valley, CA: 800-423-0150 • Fax: 864-834-3518 • www.tsbrass.com



ADA Compliant



This Space for Architect/Engineer Approval

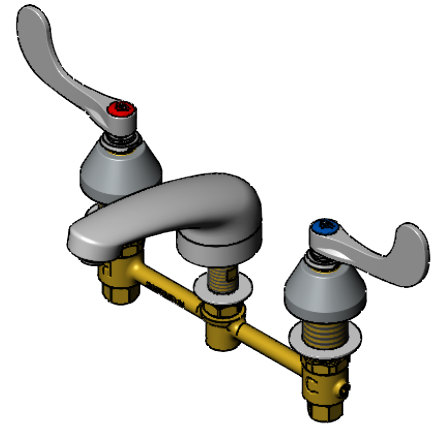
Job Name _____ Date _____

Model Specified _____ Quantity _____

Customer/Wholesaler _____

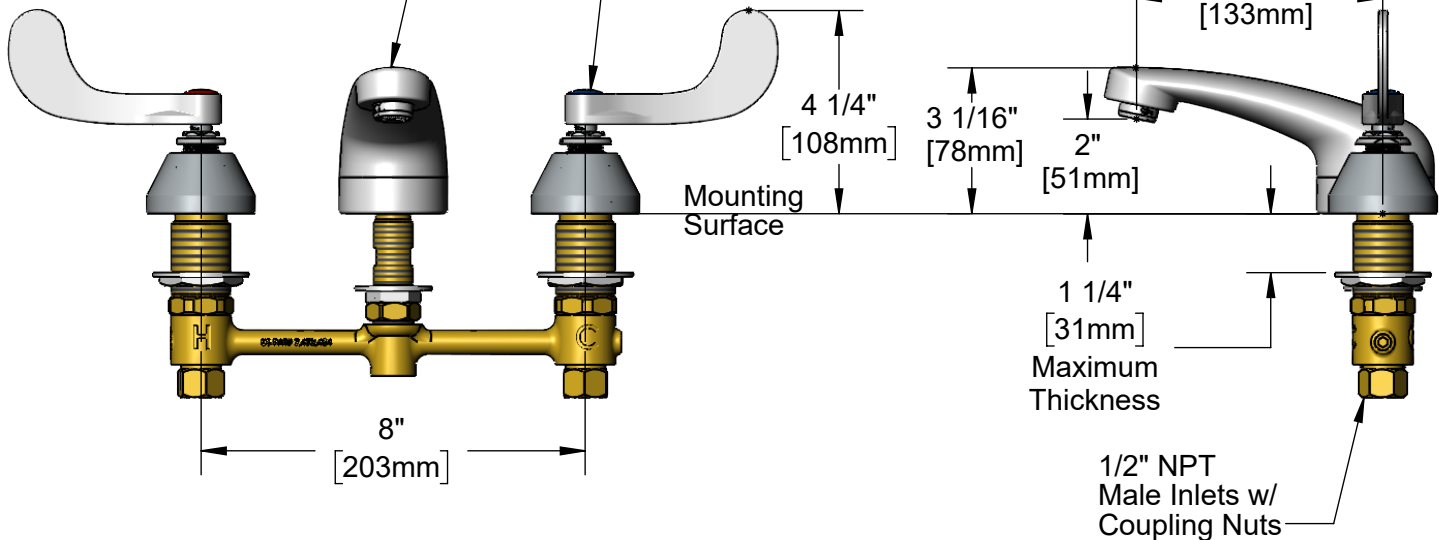
Contractor _____

Architect/Engineer _____



Lavatory Spout w/
B-0199-03
2.2 GPM Aerator

Quarter-Turn
Eterna Cartridge w/
Spring Checks &
4" Wrist Action Handles
& Color Coded Indexes



Rough-In Requirement:
Center Shank: \varnothing 1" [25mm] Mounting Hole
Hot/Cold Side: \varnothing 1 1/2" [38mm] Mounting Holes

Product Specifications:
8" Concealed Widespread EasyInstall Mixing Faucet, 4" Wrist Action Handles, Quarter-Turn Eterna Cartridges w/ Spring Checks, Lavatory Spout w/ 2.2 GPM Aerator and 1/2" NPT Male Inlets w/ Coupling Nuts

Product Compliance:
ASME A112.18.1 / CSA B125.1
NSF 61 - Section 9
NSF 372 (Low Lead Content)
ANSI A117.1 (ADA)



T&S BRASS AND BRONZE WORKS, INC.

2 Saddleback Cove / P.O. Box 1088
Travelers Rest, SC 29690

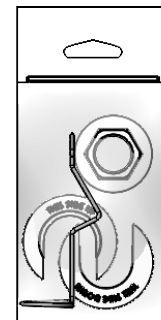
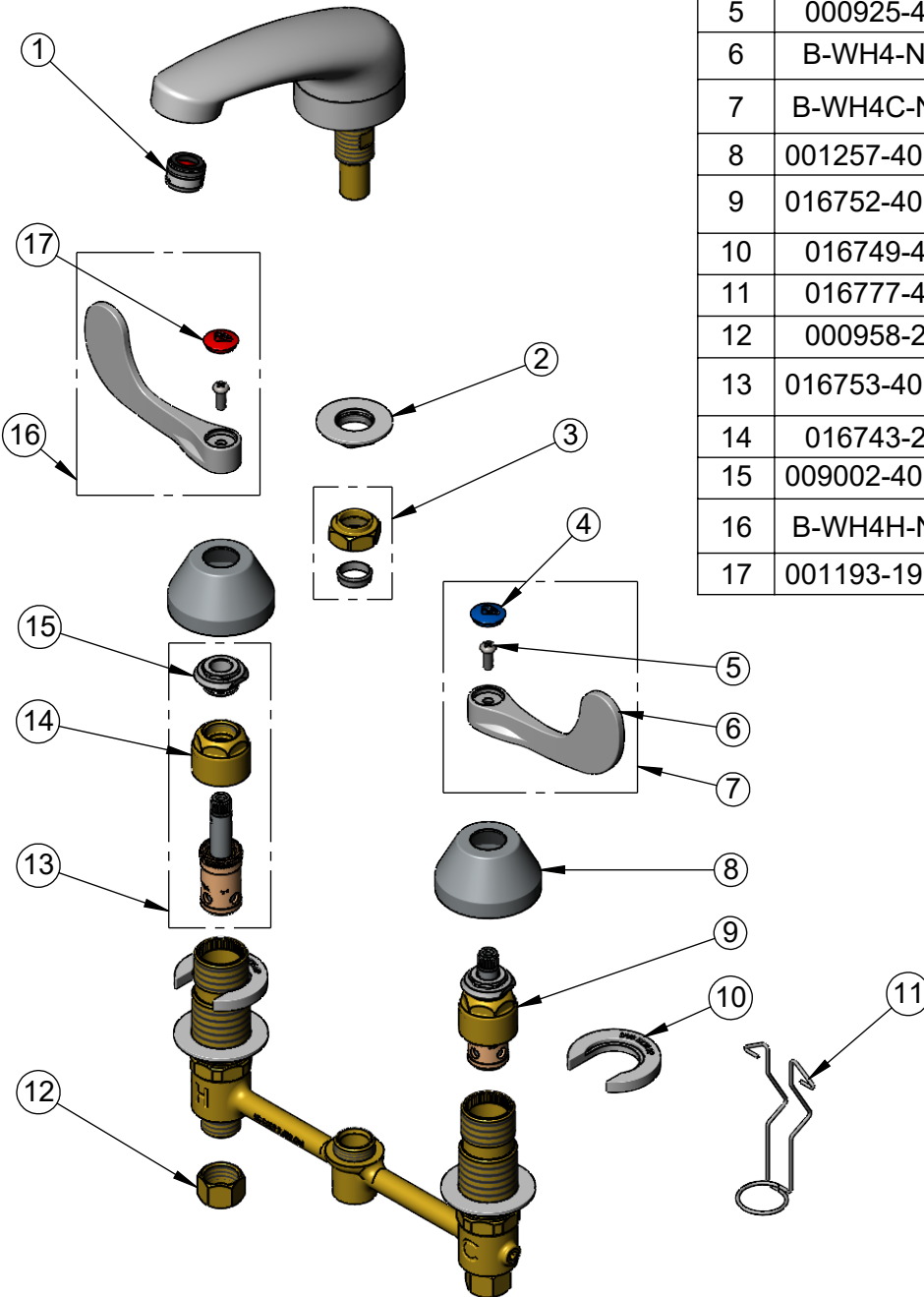
Model No.

B-2990-WH4

Item No.

Travelers Rest, SC: 800-476-4103 • Simi Valley, CA: 800-423-0150 • Fax: 864-834-3518 • www.tsbrass.com

ITEM NO.	SALES NO.	DESCRIPTION
1	B-0199-03	2.2 GPM Aerator
2	016742-45	Center Flange Nut
3	016745-45	Compression Nut & Fitting
4	018506-19NS	Blue Button Index, Press-in
5	000925-45	Lab Handle Screw
6	B-WH4-NS	Wrist Action Handle - New Style
7	B-WH4C-NS	Wrist Action Handle, Blue Index & Screw
8	001257-40NS	Bell Escutcheon
9	016752-40NS	EasyInstall, CWS Quarter-Turn Eterna Cartridge w/ Spring Check, LTC
10	016749-45	Sidebody C-Washer
11	016777-45	CWS Hanger
12	000958-20	Coupling Nut
13	016753-40NS	EasyInstall, CWS Quarter-Turn Eterna Cartridge w/ Spring Check, RTC
14	016743-20	CWS Bonnet
15	009002-40NS	Packing Assembly (New Style)
16	B-WH4H-NS	Wrist Action Handle, Red Index & Screw
17	001193-19NS	Red Button Index, Press-in



017245-40
Installation Repair Kit
Includes #2, (2)#10, & #11

Product Specifications:

8" Concealed Widespread EasyInstall Mixing Faucet, 4" Wrist Action Handles, Quarter-Turn Eterna Cartridges w/ Spring Checks, Lavatory Spout w/ 2.2 GPM Aerator and 1/2" NPT Male Inlets w/ Coupling Nuts

Product Compliance:

ASME A112.18.1 / CSA B125.1
NSF 61 - Section 9
NSF 372 (Low Lead Content)
ANSI A117.1 (ADA)