



T&S BRASS AND BRONZE WORKS, INC.

2 Saddleback Cove / P.O. Box 1088
Travelers Rest, SC 29690

Model No.

B-0113-12CRB8P-LB

Item No.

Travelers Rest, SC: 800-476-4103 • Simi Valley, CA: 800-423-0150 • Fax: 864-834-3518 • www.tsbrass.com

This Space for Architect/Engineer Approval

Job Name _____ Date _____

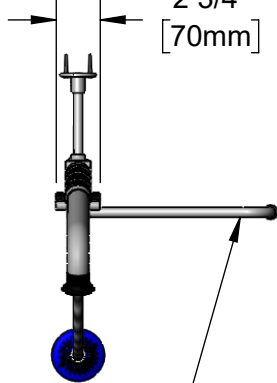
Model Specified _____ Quantity _____

Customer/Wholesaler _____

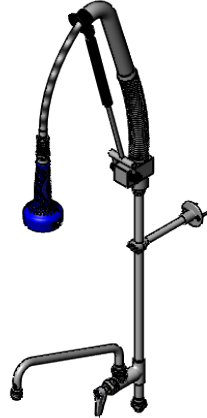
Contractor _____

Architect/Engineer _____

2 3/4"
[70mm]



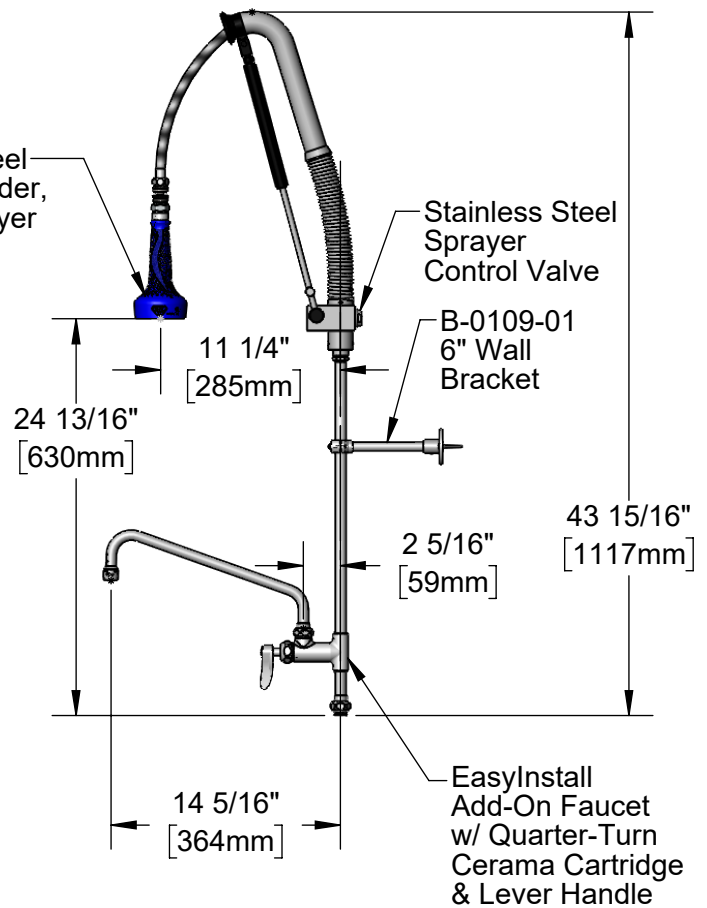
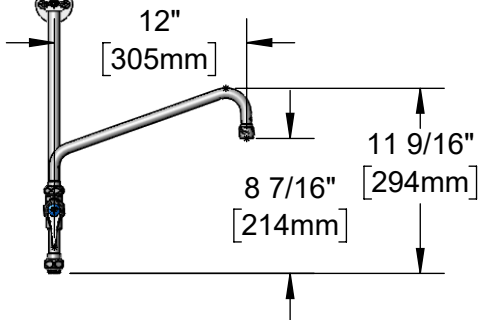
062X
12" Swing Nozzle w/
Stream Regulator Outlet



30" Flexible Stainless Steel
Hose w/ Spring, Air Cylinder,
Swivel & 1.07 GPM Sprayer

Items Not Shown
For Clarity

3/8" NPT x 18" Riser



Product Specifications:

EasyInstall Pull-Down Pre-Rinse Unit: Add-On Faucet w/ 12" Swing Nozzle, 18" Riser, 30" Flexible Stainless Steel Hose, 1.07 GPM Sprayer, Ball-Joint Swivel, 6" Wall Bracket and Less Body

Product Compliance:

ASME A112.18.1 / CSA B125.1
NSF 61 - Section 9
NSF 372 (Low Lead Content)
2019 DOE PRSV - Class II



T&S BRASS AND BRONZE WORKS, INC.

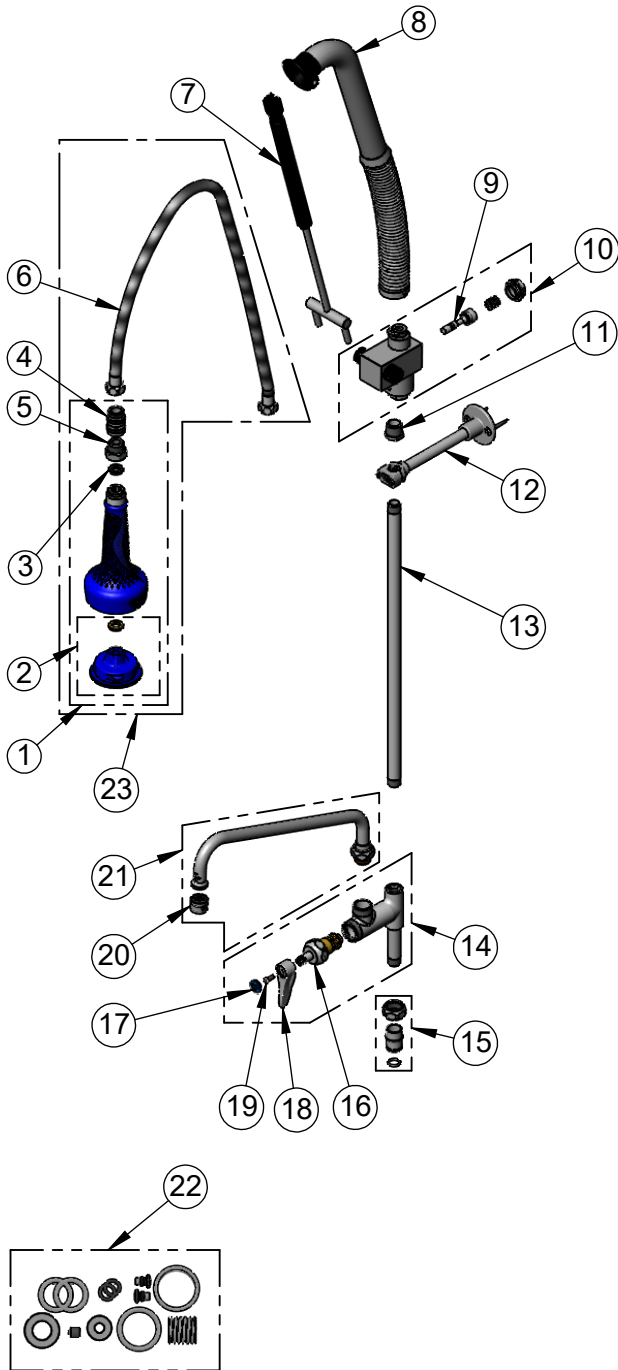
2 Saddleback Cove / P.O. Box 1088
Travelers Rest, SC 29690

Model No.

B-0113-12CRB8P-LB

Item No.

Travelers Rest, SC: 800-476-4103 • Simi Valley, CA: 800-423-0150 • Fax: 864-834-3518 • www.tsbrass.com



ITEM NO.	SALES NO.	DESCRIPTION
1	019898-40	1.07 GPM Sprayer w/ Swivel
2	108SF-RK	Spray Face Repair Kit
3	001014-45	Washer, Hose Barrel
4	021046-45	Stainless Steel Ball-Joint Swivel
5	005221-25	7/8-20 x 1/2" BSPF Adapter
6	019901-45	30" Stainless Steel Braided Hose w/ 1/2" NPT Threads
7	020062-45	Air Cylinder Repair Kit
8	020060-45	Spring & Tube Repair Kit
9	020061-45	Valve Stem Repair Kit
10	020063-45	Valve Body Repair Kit
11	001359-40	Hex Bushing, 1/2" NPT Male x 3/8" NPT Female
12	B-0109-01	6" Wall Bracket
13	000369-40	3/8" NPT x 18" Riser
14	B-0155-CR-LN	Add-On Faucet, Less Nozzle
15	EZ-K	EasyInstall Kit: Nut, Bushing, O-ring & Lock Washer
16	012394-25NS	Quarter-Turn Cerama Cartridge w/ Check Valve, RTC
17	018506-19NS	Blue Button Index, Press-in
18	001638-45NS	Lever Handle (New Style)
19	000925-45	Lab Handle Screw
20	B-PT	Full Flow Stream Regulator, 55/64-27
21	062X	12" Swing Nozzle
22	020064-45	PRU Control Valve Seal Repair Kit
23	021047-40	Hose, Sprayer & Swivel

Product Specifications:

EasyInstall Pull-Down Pre-Rinse Unit: Add-On Faucet w/ 12" Swing Nozzle, 18" Riser, 30" Flexible Stainless Steel Hose, 1.07 GPM Sprayer, Ball-Joint Swivel, 6" Wall Bracket and Less Body

Product Compliance:

ASME A112.18.1 / CSA B125.1
NSF 61 - Section 9
NSF 372 (Low Lead Content)
2019 DOE PRSV - Class II