



# T&S BRASS AND BRONZE WORKS, INC.

2 Saddleback Cove / P.O. Box 1088  
Travelers Rest, SC 29690

Model No.

**B-0133-CRBSTKIT**

Item No.

Travelers Rest, SC: 800-476-4103 • Simi Valley, CA: 800-423-0150 • Fax: 864-834-3518 • www.tsbrass.com

This Space for Architect/Engineer Approval

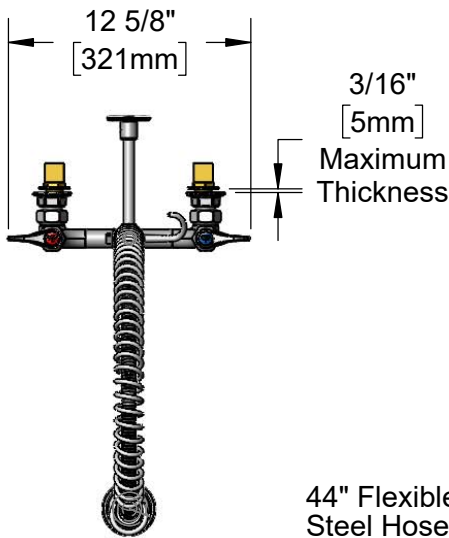
Job Name \_\_\_\_\_ Date \_\_\_\_\_

Model Specified \_\_\_\_\_ Quantity \_\_\_\_\_

Customer/Wholesaler \_\_\_\_\_

Contractor \_\_\_\_\_

Architect/Engineer \_\_\_\_\_



44" Flexible Stainless Steel Hose w/ Spring & Spray Valve

B-TEE-RGD Tee for Accessory Fittings  
Direction of Tee is Discretion of End-User During Installation

Finger Hook

018200-40 Pre-Rinse Swivel  
Quarter-Turn Cerama Cartridges w/ Check Valves & Lever Handles w/ Color Coded Indexes

Items Not Shown for Clarity

3/8" NPT x 8" Riser

EasyInstall Lock Nut & Bushing

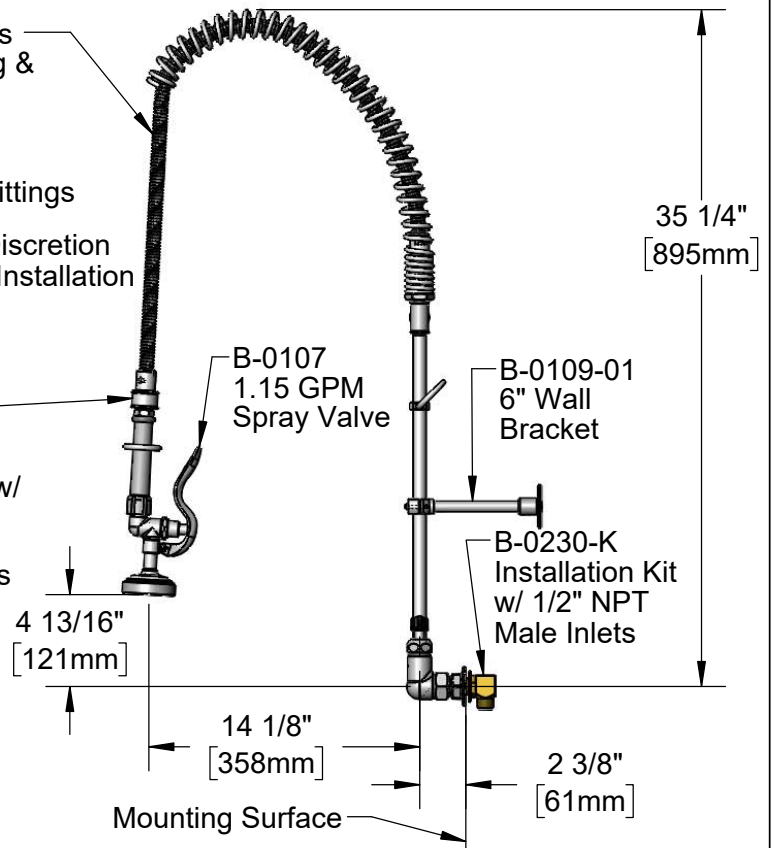
3 11/16" [93mm]

8" [203mm]

Adjustable From 7 3/4" to 8 1/4" [197mm to 210mm]

Ø2" [51mm] Flanges w/ 1/2" NPT Female Inlets

Rough-In Requirement:  
(2) Ø 1" [25mm] Mounting Holes



**B-0230-KIT**  
Short EL Installation Kit  
w/ (2) Flexible Stainless Steel Hoses

**Product Specifications:**

Pre-Rinse Unit: EasyInstall 8" Wall Mount Mixing Faucet, Quarter-Turn Cerama Cartridges w/ Check Valves, Lever Handles, 44" Flexible Stainless Steel Hose, 1.15 GPM Spray Valve w/ Swivel, Accessory Fitting Tee, 6" Wall Bracket and 1/2" NPT Male Elbow Installation Kit w/ (2) Flexible Stainless Steel Hoses

**Product Compliance:**

ASME A112.18.1 / CSA B125.1  
NSF 61 - Section 9  
NSF 372 (Low Lead Content)  
2019 DOE PRSV - Class II



# T&S BRASS AND BRONZE WORKS, INC.

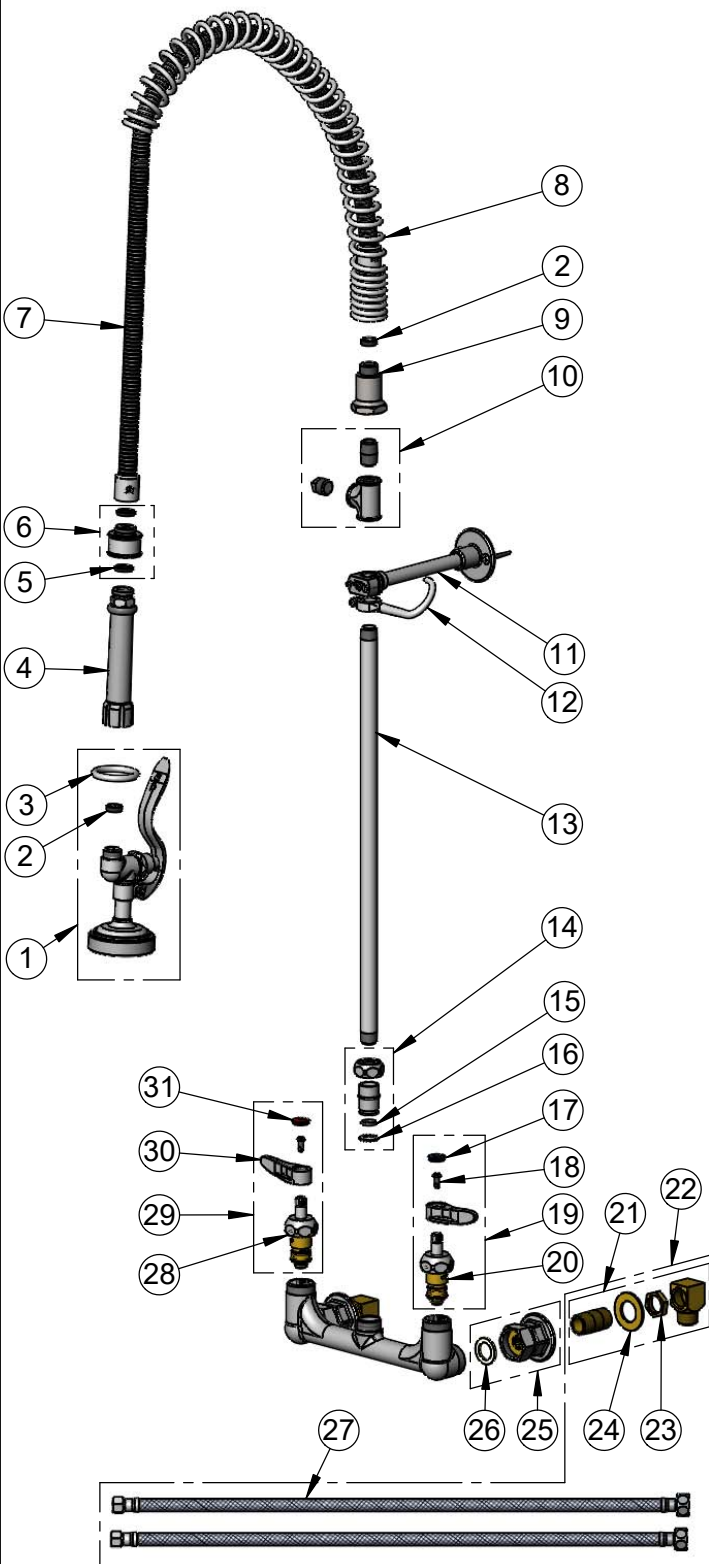
2 Saddleback Cove / P.O. Box 1088  
Travelers Rest, SC 29690

Model No.

**B-0133-CRBSTKIT**

Item No.

Travelers Rest, SC: 800-476-4103 • Simi Valley, CA: 800-423-0150 • Fax: 864-834-3518 • www.tsbrass.com



ITEM NO.	SALES NO.	DESCRIPTION
1	B-0107	1.15 GPM Spray Valve
2	010476-45	#27 Washer
3	000907-45	Spray Valve Hold Down Ring
4	002987-40	Grip Handle
5	001014-45	Washer, B-0100 Hose Barrel
6	018200-40	Pre-Rinse Swivel w/ (2) Washers
7	B-0044-H2A	44" Flexible Stainless Steel Hose, Less Handle
8	000888-45	EasyInstall Overhead Spring
9	000821-40	Spring Body
10	B-TEE-RGD	Rigid Tee for Accessory Fittings
11	B-0109-01	6" Wall Bracket
12	004R	Finger Hook
13	000369-40	3/8" NPT x 18" Riser
14	EZ-K	EasyInstall Kit
15	001065-45	O-Ring
16	014200-45	Star Washer, Anti-Rotation
17	018506-19NS	Blue Button Index, Press-in
18	000925-45	Lab Handle Screw
19	012447-25NS	Quarter-Turn Cerama Cartridge w/ Check Valve, Handle, Blue Index & Screw, LTC
20	012395-25NS	Quarter-Turn Cerama Cartridge w/ Check Valve, LTC
21	B-0230-K	Short Elbow Installation Kit
22	B-0230-KIT	Short Elbow Installation Kit w/ (2) Hoses
23	002954-45	Shank Lock Nut
24	000999-45	Brass Lock Washer
25	00AA	1/2" NPT Female Eccentric Flange
26	001019-45	Coupling Nut Washer
27	017420-45	24" Flexible Supple Hose
28	012394-25NS	Quarter-Turn Cerama Cartridge w/ Check Valve, RTC
29	012446-25NS	Quarter-Turn Cerama Cartridge w/ Check Valve, Handle, Red Index & Screw, RTC
30	001638-45NS	Lever Handle (New Style)
31	001193-19NS	Red Button Index, Press-in

**Product Specifications:**  
Pre-Rinse Unit: EasyInstall 8" Wall Mount Mixing Faucet, Quarter-Turn Cerama Cartridges w/ Check Valves, Lever Handles, 44" Flexible Stainless Steel Hose, 1.15 GPM Spray Valve w/ Swivel, Accessory Fitting Tee, 6" Wall Bracket and 1/2" NPT Male Elbow Installation Kit w/ (2) Flexible Stainless Steel Hoses

**Product Compliance:**  
ASME A112.18.1 / CSA B125.1  
NSF 61 - Section 9  
NSF 372 (Low Lead Content)  
2019 DOE PRSV - Class II