



**T&S BRASS AND BRONZE WORKS, INC.**  
 2 Saddleback Cove / P.O. Box 1088  
 Travelers Rest, SC 29690

Model No.  
**B-0044-V9**

Item No.

Travelers Rest, SC: 800-476-4103 • Simi Valley, CA: 800-423-0150 • Fax: 864-834-3518 • www.tsbrass.com

This Space for Architect/Engineer Approval

Job Name \_\_\_\_\_ Date \_\_\_\_\_

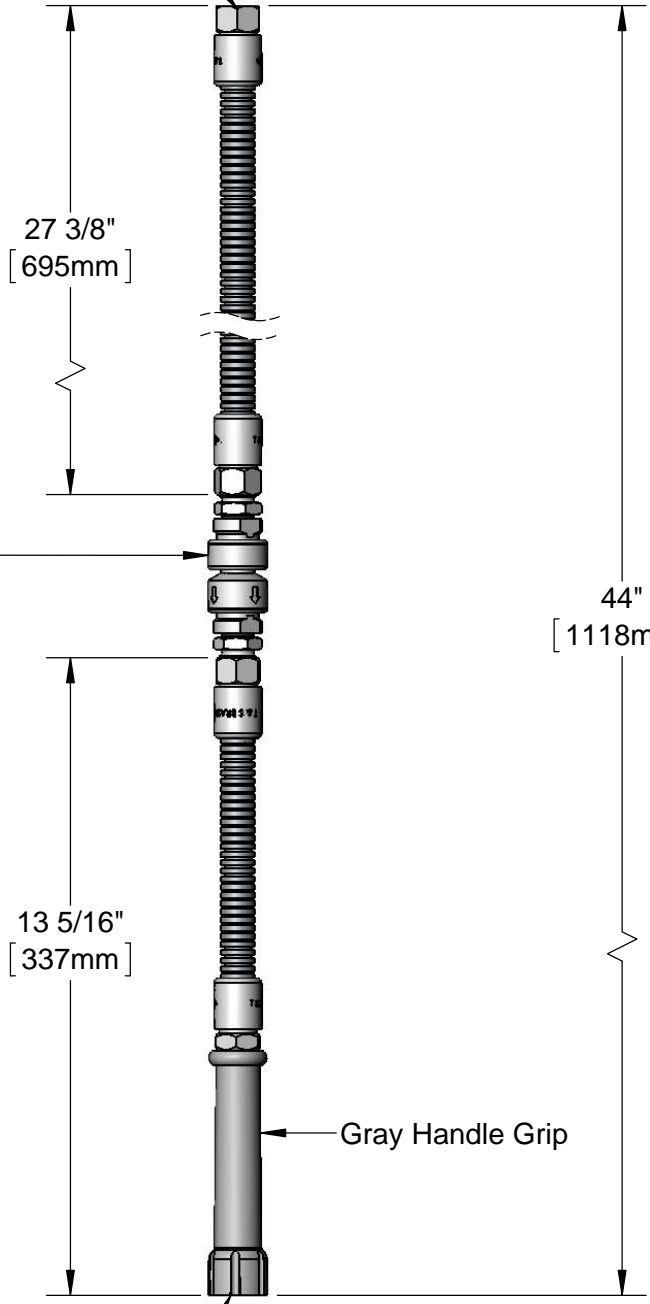
Model Specified \_\_\_\_\_ Quantity \_\_\_\_\_

Customer/Wholesaler \_\_\_\_\_

Contractor \_\_\_\_\_


Architect/Engineer \_\_\_\_\_

3/4-14 UN  
 Female Inlet



B-0970-FE  
 Continuous  
 Pressure  
 Atmospheric  
 Vacuum Breaker

44"  
 [1118mm]

  
 (2) 010476-45  
 Washers  
 (Included)

13 5/16"  
 [337mm]

Gray Handle Grip

3/4-14 UN  
 Female Outlet

Product Specifications:

44" Flexible Stainless Steel Hose w/ Inner Polyurethane Hose,  
 B-0970-FE Continuous Pressure Vacuum Breaker & Gray Handle

Product Compliance:

ASME A112.18.1 / CSA B125.1  
 NSF 61 - Section 9  
 NSF 372 (Low Lead Content)  
 CSA B64.8