



T&S BRASS AND BRONZE WORKS, INC.

2 Saddleback Cove / P.O. Box 1088
Travelers Rest, SC 29690

Model No.

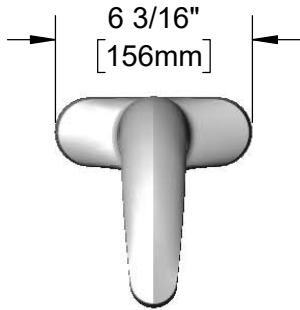
EC-3104-VF05-HG

Item No.

Travelers Rest, SC: 800-476-4103 • Simi Valley, CA: 800-423-0150 • Fax: 864-834-3518 • www.tsbrass.com



ADA Compliant



This Space for Architect/Engineer Approval

Job Name _____ Date _____

Model Specified _____ Quantity _____

Customer/Wholesaler _____

Contractor _____

Architect/Engineer _____

Solid Cast Brass Spout w/
Polish Chrome Plated Finish

1/2" NPSM x 1/4" NPSM
18" [457mm] Flexible
Stainless Steel Hose

Mounting
Surface

24" [610mm]
Sensor Cable

Hydro-Generator Power
Supply. No AA Batteries
or AC Adapter Needed
to Supply Power to
Faucet. (Connect Plug
to Power Port)

Removable Strainer
Temperature Mixing
Valve w/ Integral
Check Valves

4" x 4 3/8" x 2 3/16" Deep
[102mm x 111mm x 56mm]
Water Resistant Control Module Box (Grey)
w/ Internal Flow Control Setting Switches,
AC or DC Operated w/ (4) AA Batteries.
Hardwire Capable Using Terminals on Back

Optional 100-240 VAC
Adapter w/ 72" [1830mm]
Power Cord

(2) 3/8" Compression x 1/2" NPSM
18" [457mm] Flexible Stainless
Steel Supply Hoses

B-0199-08-N05
0.5 GPM [1.9 L/min]
VR Non-Aerated
Spray Device

4 1/16"
[103mm]

4 7/8"
[124mm]

5 1/16"
[129mm]

1 3/4"
[45mm]
Maximum
Distance

2 1/4"
[57mm]

Rough-In Requirement:
(2) \varnothing 1" [25mm] Mounting Stud Holes on 4" [102mm] Centers

Product Specifications:

Chrome Plated Brass Electronic Faucet: 4" c/c Deck Mount Cast Spout w/ VR 0.5 GPM Non-Aerated Spray Device, AC/DC Control Module w/ Internal Flow Control Setting Switches, Temperature Control Mixing Valve w/ Check Valves, Hydro-Generator, 18" Flexible Stainless Steel Supply Hoses

Product Compliance:

ASME A112.18.1 / CSA B125.1
NSF 61 - Section 9
NSF 372 (Low Lead Content)
ANSI A117.1 (ADA)
UL 1951



T&S BRASS AND BRONZE WORKS, INC.

2 Saddleback Cove / P.O. Box 1088
Travelers Rest, SC 29690

Model No.

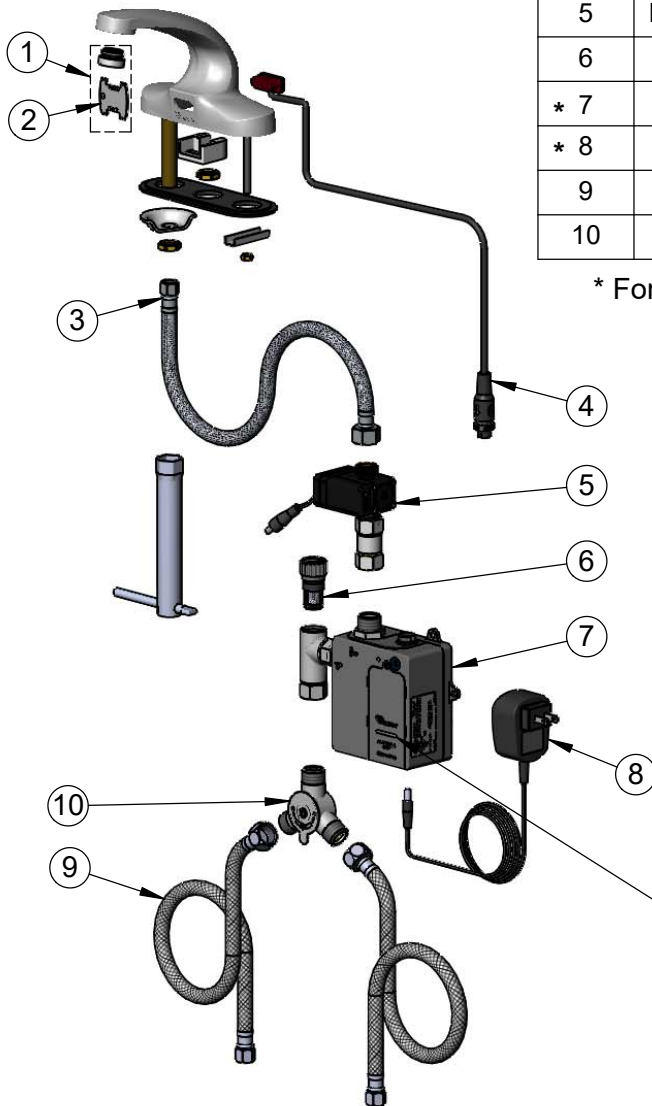
EC-3104-VF05-HG

Item No.

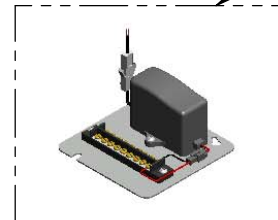
Travelers Rest, SC: 800-476-4103 • Simi Valley, CA: 800-423-0150 • Fax: 864-834-3518 • www.tsbrass.com

ITEM NO.	SALES NO.	DESCRIPTION
1	B-0199-08-N05	0.5 GPM VR Spray Device, 13/16-27 Male
2	015425-45	Vandal Resistant Key
3	016297-45	Inlet Hose, Faucet, 1/2" NPSM-F x 1/4" NPSM-F
* 4	019174-45	Sensor Cable Assembly
5	EC-HYDROGEN-LF	Low Flow Hydro-Generator
6	EC-FILTER	Replacement Filter
* 7	019944-45	ChekPoint Control Module w/ Filter Tee
* 8	5EF-0002C	AC Adapter - US Plug
9	5EF-0005	Supply Hose, 9/16-24 Female x 1/2" NPSM
10	5EF-0006	Mechanical Mixing Valve

* For Versions Prior to 2021, Consult with T&S Customer Service



A Maximum of (8) ChekPoint Faucets can be Hardwire Connected and Powered by EC-HARDWIRE ChekPoint Hardwire AC Transformer. (Sold Separately)



Flow Control Switches are Located Behind Battery Compartment Cover.

* Switches are Set to DEFAULT Position:

- Auto Time Out = 15 Seconds
- Shut Off Delay = 1 Second
- Auto Flush = OFF
- Metering Mode = OFF

*** Available Water Flow Control Selections:**

- Auto Time Out: 15 sec, 30 sec, 45 sec, 60 sec, 3 min, 20 min
- Shut Off Delay: 1 sec, 10 sec, 15 sec, 30 sec
- Auto Flush (30 Seconds After Every 12 Inactive Hours): ON or OFF
- Metering Mode: ON or OFF

Product Specifications:

Chrome Plated Brass Electronic Faucet: 4" c/c Deck Mount Cast Spout w/ VR 0.5 GPM Non-Aerated Spray Device, AC/DC Control Module w/ Internal Flow Control Setting Switches, Temperature Control Mixing Valve w/ Check Valves, Hydro-Generator, 18" Flexible Stainless Steel Supply Hoses

Product Compliance:

ASME A112.18.1 / CSA B125.1
NSF 61 - Section 9
NSF 372 (Low Lead Content)
ANSI A117.1 (ADA)
UL 1951