



**T&S BRASS AND BRONZE WORKS, INC.**  
 2 Saddleback Cove / P.O. Box 1088  
 Travelers Rest, SC 29690

Model No.  
**B-0107-C35**

Item No.

Travelers Rest, SC: 800-476-4103 • Simi Valley, CA: 800-423-0150 • Fax: 864-834-3518 • www.tsbrass.com

This Space for Architect/Engineer Approval

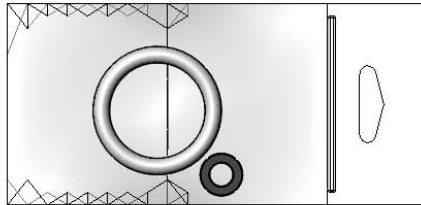
Job Name \_\_\_\_\_ Date \_\_\_\_\_

Model Specified \_\_\_\_\_ Quantity \_\_\_\_\_

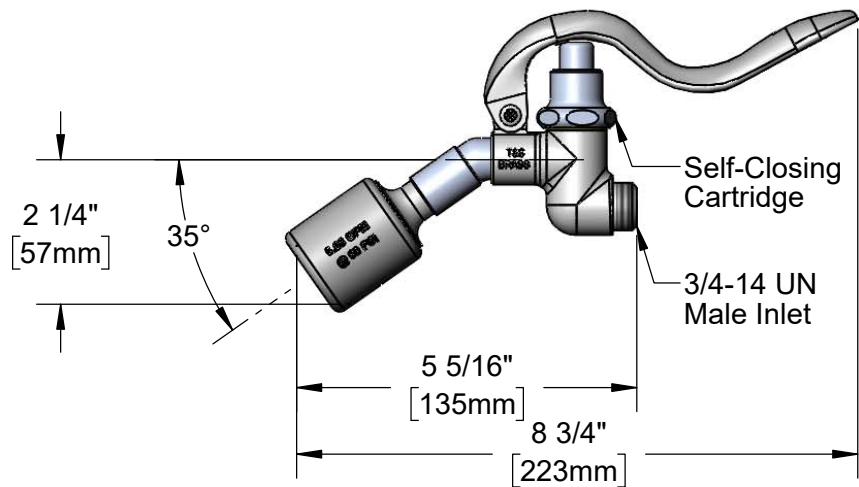
Customer/Wholesaler \_\_\_\_\_

Contractor \_\_\_\_\_

Architect/Engineer \_\_\_\_\_



Hose Washer &  
 Hold Down Ring  
 (Included)



Product Specifications:  
**0.65 GPM low flow angled Spray Valve**

Product Compliance:  
 ASME A112.18.1 / CSA B125.1  
 NSF 61 - Section 9  
 NSF 372 (Low Lead Content)  
 2019 DOE PRSV - Class I



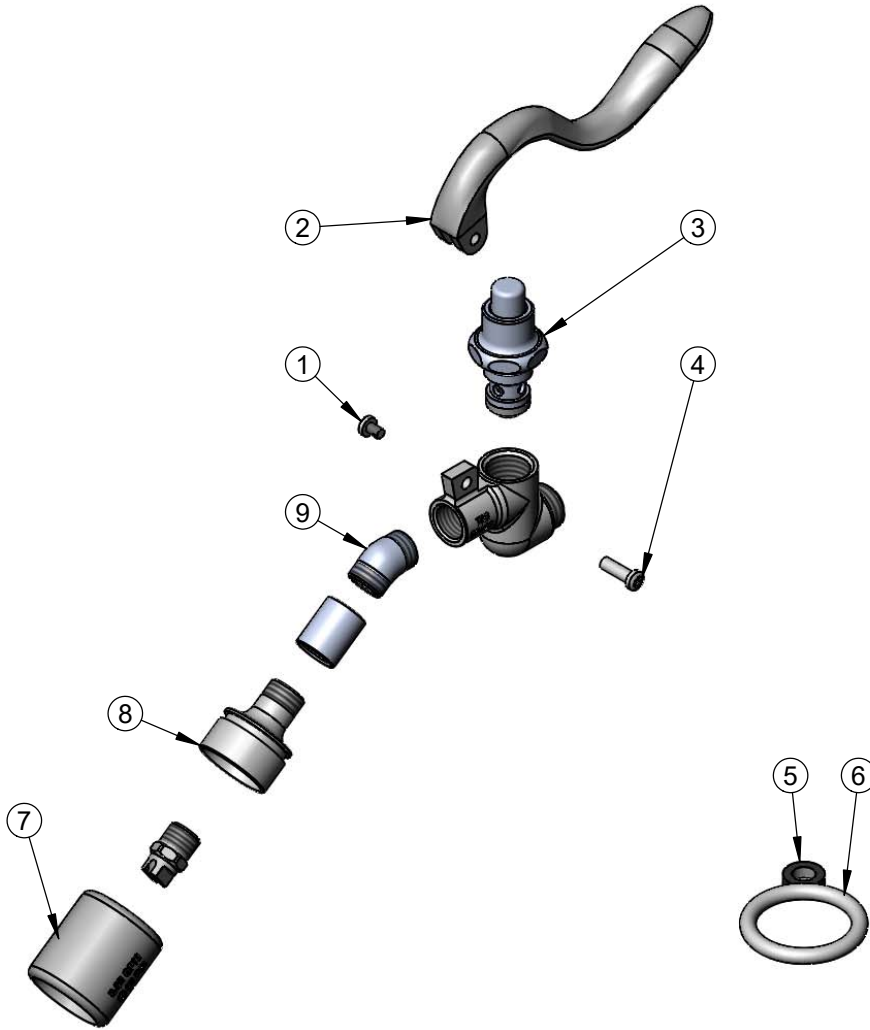
**T&S BRASS AND BRONZE WORKS, INC.**  
 2 Saddleback Cove / P.O. Box 1088  
 Travelers Rest, SC 29690

Model No.  
**B-0107-C35**

Item No.

Travelers Rest, SC: 800-476-4103 • Simi Valley, CA: 800-423-0150 • Fax: 864-834-3518 • www.tsbrass.com

ITEM NO.	SALES NO.	DESCRIPTION
1	003199-45	Spray Valve Handle Screw
2	001120-45	Spray Valve Handle
3	002856-40	Spray Valve Bonnet
4	003198-45	Spray Valve Handle Nut
5	010476-45	#27 Washer
6	000907-45	Spray Valve Hold Down Ring
7	002659-45NS	Spray Valve Low Flow 0.65 GPM Shield
8	003128-25NS	Low Flow Nozzle Holder (Chrome Plated)
9	0032	Spray Valve 35° Elbow



Product Specifications:  
 0.65 GPM low flow angled Spray Valve

Product Compliance:  
 ASME A112.18.1 / CSA B125.1  
 NSF 61 - Section 9  
 NSF 372 (Low Lead Content)  
 2019 DOE PRSV - Class I