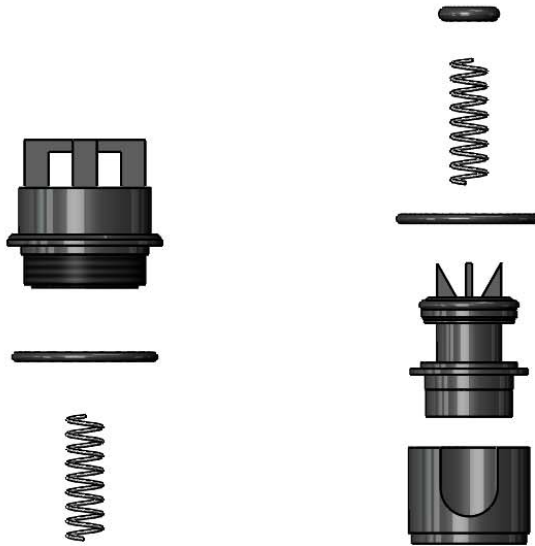




### Architect/Engineering Specifications:

Vacuum breaker repair kit with plastic insert, o-rings, springs, and check assembly. Certified to NSF 61-Section 9 and NSF 372.

Job Name \_\_\_\_\_  
 Model Specified \_\_\_\_\_ Quantity \_\_\_\_\_  
 Variations Specified \_\_\_\_\_  
 Date \_\_\_\_\_



### Features & Benefits:

- Vacuum breaker repair kit
- Includes O-rings, springs, plastic inserts, and check assembly
- Materials: Plastic, rubber, and stainless steel

### Product Compliance:

- NSF 61 - Section 9
- NSF 372 (Low Lead Content)

**Warranty:** One Year (Limited)

### Performance Data:

- N/A

