



T&S BRASS AND BRONZE WORKS, INC.

2 Saddleback Cove / P.O. Box 1088
Travelers Rest, SC 29690

Model No.

MPZ-2DLN-08-CRF

Item No.

Travelers Rest, SC: 800-476-4103 • Simi Valley, CA: 800-423-0150 • Fax: 864-834-3518 • www.tsbrass.com

This Space for Architect/Engineer Approval

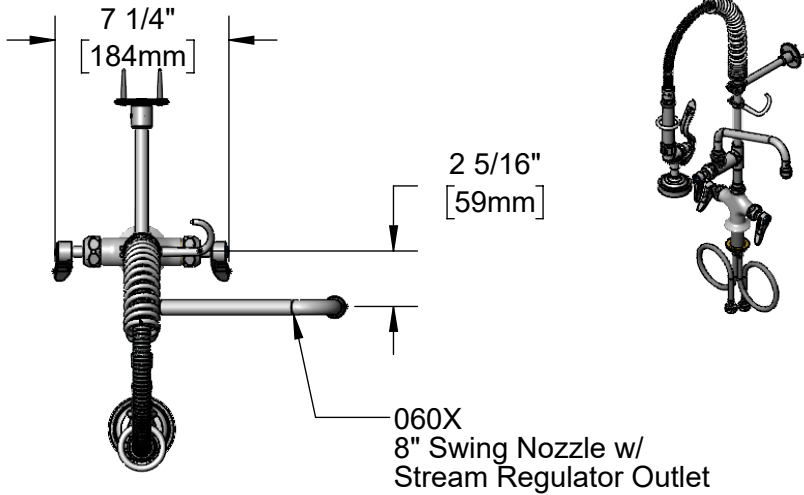
Job Name _____ Date _____

Model Specified _____ Quantity _____

Customer/Wholesaler _____

Contractor _____

Architect/Engineer _____



24" Flexible Stainless
Steel Hose w/ Spring &
Spray Valve

Items Not Shown
For Clarity

B-0107
1.15 GPM
Spray Valve

B-0109-01
6" Wall
Bracket

Finger Hook

3/8" NPT x 8" Riser

Add-On Faucet
w/ Quarter-Turn
Cerama Cartridge
& Lever Handle

24 13/16"
[630mm]

8" [204mm]

13 3/8"
[340mm]

10 1/4"
[260mm]

Mounting
Surface

7 1/2"
[190mm]

Quarter-Turn Cerama Cartridges
w/ Check Valves & Lever Handles
w/ Color Coded Indexes

19-11/16" [500mm] Flexible
Stainless Steel Supply Hoses

G1/2" Female Swivel Inlets

1 3/8"
[35mm]
Maximum
Thickness

7 3/8"
[188mm]

Rough-In Requirement:
Ø 1 1/2" [38mm] Mounting Hole

Product Specifications:

Pre-Rinse Unit: EasyInstall Single Deck Mount Mixing Faucet, Quarter-Turn Cerama Cartridges w/ Check Valves, Lever Handles, Add-On Faucet w/ 8" Swing Nozzle, Compact Spring, 24" Flexible Stainless Steel Hose, 1.15 GPM Spray Valve, 6" Wall Bracket & (2) 19-11/16" Flexible Supply Hoses w/ G1/2" Female Swivel Inlets

Product Compliance:

ASME A112.18.1 / CSA B125.1
NSF 61 - Section 9
NSF 372 (Low Lead Content)
2019 DOE PRSV - Class II
For Commercial Use Only



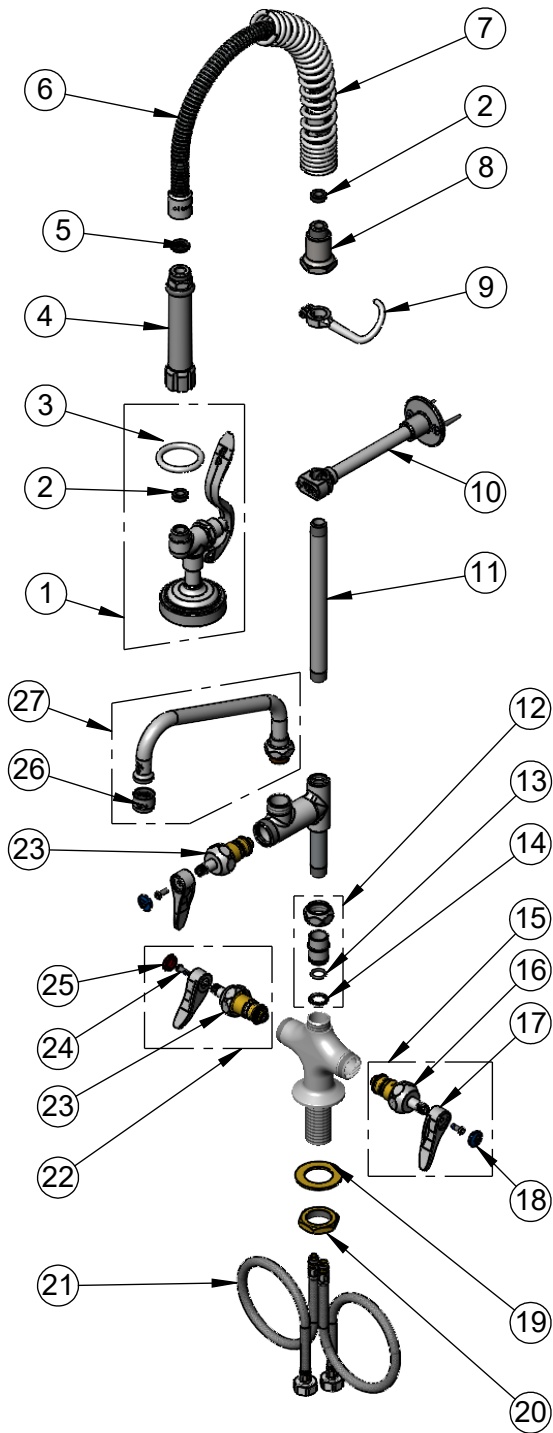
T&S BRASS AND BRONZE WORKS, INC.

2 Saddleback Cove / P.O. Box 1088
Travelers Rest, SC 29690

Model No.
MPZ-2DLN-08-CRF

Item No.

Travelers Rest, SC: 800-476-4103 • Simi Valley, CA: 800-423-0150 • Fax: 864-834-3518 • www.tsbrass.com



ITEM NO.	SALES NO.	DESCRIPTION
1	B-0107	1.15 GPM Spray Valve
2	010476-45	#27 Washer
3	000907-45	Spray Valve Hold Down Ring
4	002987-40	Grip Handle
5	001014-45	Washer, Hose Barrel
6	B-0024-H2A	24" Flexible Stainless Steel Hose, Less Handle
7	016795-45	Compact Spring
8	000821-40	Spring Body
9	004R	Finger Hook
10	B-0109-01	6" Wall Bracket
11	078X	Nipple, 3/8" NPT x 8"
12	EZ-K	EasyInstall Kit: Nut, Bushing, O-Ring & Lock Washer
13	001065-45	O-Ring, Size 2-112
14	014200-45	Star Washer, Anti-Rotation
15	012447-25NS	Quarter-Turn Cerama Cartridge w/ Check Valve, Handle, Blue Index & Screw, LTC
16	012395-25NS	Quarter-Turn Cerama Cartridge, LTC w/ Check Valve
17	001638-45NS	Lever Handle (New Style)
18	018506-19NS	Blue Button Index, Press-in
19	002290-45	Lock Washer
20	000965-45	Lock Nut
21	012436-45DR	Flexible Connector Hose
22	012446-25NS	Quarter-Turn Cerama Cartridge w/ Check Valve, Handle, Red Index & Screw, RTC
23	012394-25NS	Quarter-Turn Cerama Cartridge w/ Check Valve, RTC
24	000925-45	Lab Handle Screw
25	001193-19NS	Red Button Index, Press-in
26	B-PT	Stream Regulator Outlet
27	060X	8" Swing Nozzle

Product Specifications:

Pre-Rinse Unit: EasyInstall Single Deck Mount Mixing Faucet, Quarter-Turn Cerama Cartridges w/ Check Valves, Lever Handles, Add-On Faucet w/ 8" Swing Nozzle, Compact Spring, 24" Flexible Stainless Steel Hose, 1.15 GPM Spray Valve, 6" Wall Bracket & (2) 19-11/16" Flexible Supply Hoses w/ G1/2" Female Swivel Inlets

Product Compliance:

ASME A112.18.1 / CSA B125.1
NSF 61 - Section 9
NSF 372 (Low Lead Content)
2019 DOE PRSV - Class II
For Commercial Use Only