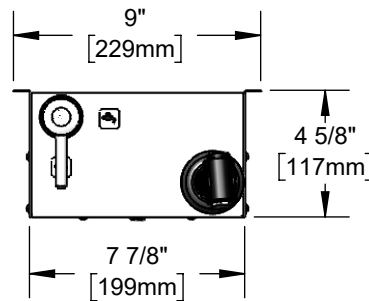
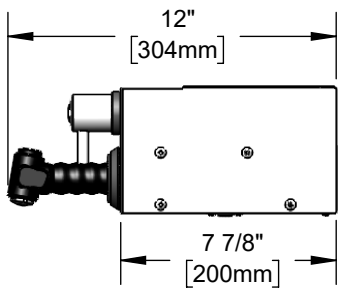
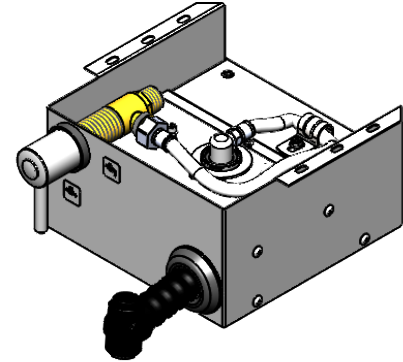




Architect/Engineering Specifications:

Enclosed reel with stainless steel shroud, quarter-turn diverter valve shut-off, self-closing push button spray valve, 6' black hose, ratcheting system, anti-lockout and 1/2" NPT male inlet.

Job Name _____
 Model Specified _____ Quantity _____
 Variations Specified _____
 Date _____



Features & Benefits:

- Enclosed reel with stainless steel shroud
- Self-closing, push button spray valve
- 6' black hose rated to 300 PSI
- Ratcheting system holds the length of hose until a slight tug to retract automatically
- 1/2" NPT male inlet
- Quarter-turn diverter valve shut-off
- Under-counter mounting
- Material: Stainless steel shroud, EPDM hose, and steel spring

Product Compliance:

- NSF 61 Exempt (Non-Potable)
- 2019 DOE PRSV Non-Compliant

Warranty: One Year (Limited)

Performance Data:

- Pressure: 20 - 125 psi [1.38 - 8.62 bar]
- Temperature: 40 °F - 140 °F [4.44 °C - 60 °C]
- Flow Rate: 1.69 GPM [6.40 L/min] @ 60 psi [4.14 bar]

