



**T&S BRASS AND BRONZE WORKS, INC.**  
 2 Saddleback Cove / P.O. Box 1088  
 Travelers Rest, SC 29690

Model No.  
**B-3945**

Item No.

Travelers Rest, SC: 800-476-4103 • Simi Valley, CA: 800-423-0150 • Fax: 864-834-3518 • www.tsbrass.com

This Space for Architect/Engineer Approval

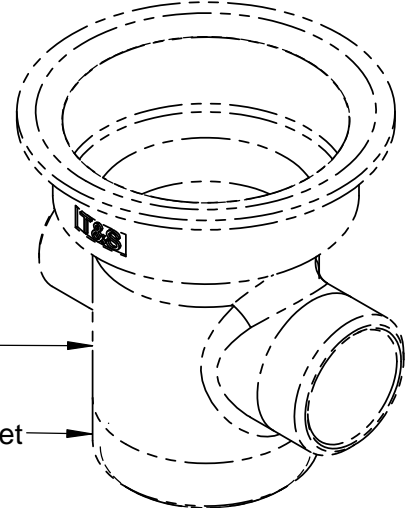
Job Name \_\_\_\_\_ Date \_\_\_\_\_

Model Specified \_\_\_\_\_ Quantity \_\_\_\_\_

Customer/Wholesaler \_\_\_\_\_

Contractor \_\_\_\_\_

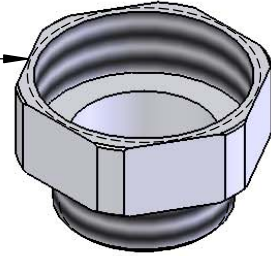
Architect/Engineer \_\_\_\_\_



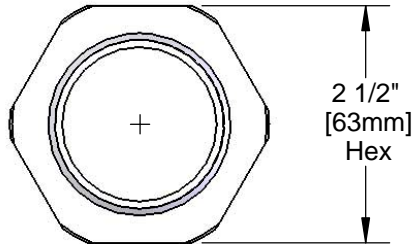
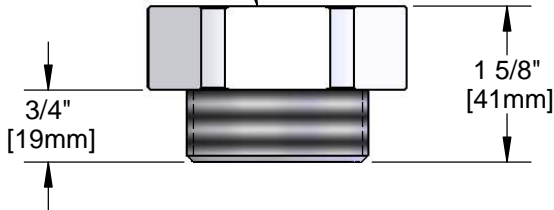
Waste Drain Sold Separately  
 (Shown only for Reference)

2" [51mm] NPT Male Drain Outlet

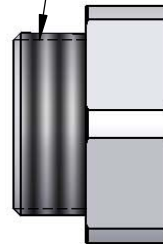
2" [51mm] NPT Female x 1 1/2"  
 [38mm] NPT Male Adapter



2" NPT Female



1 1/2" NPT Male



Product Specifications:  
 Rotary Waste Valve Adapter  
 2" NPT Female x 1 1/2" NPT Male

Product Compliance: