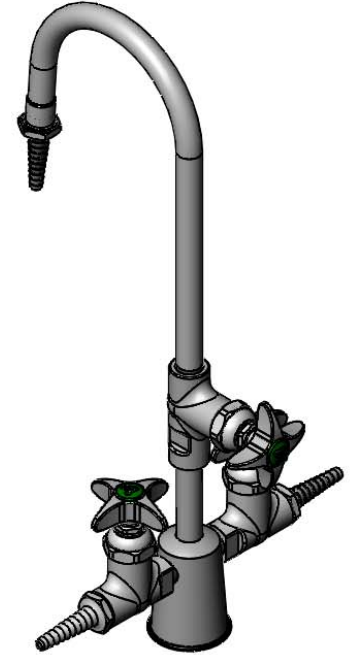
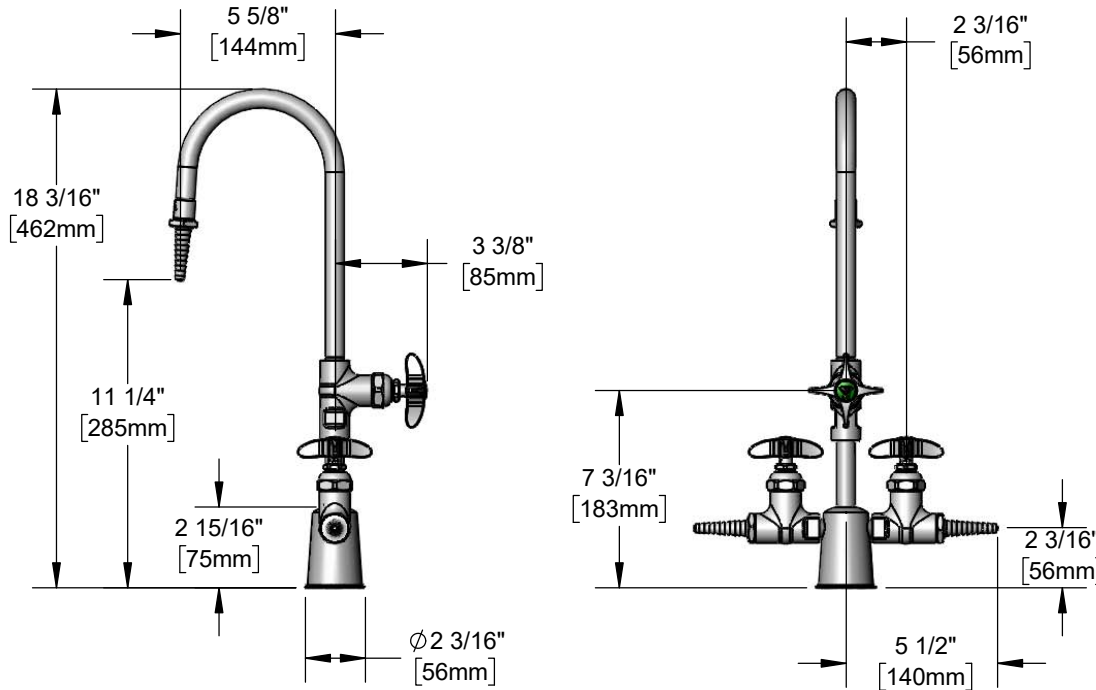




Architect/Engineering Specifications:

Multi-water laboratory turret with with polished chrome plated brass body, 5 5/8" rigid gooseneck with serrated tip outlet, gooseneck control valve with compression cartridge, (2) 180° straight water stops with serrated tips and compression cartridges, 4-arm handles and 1/2" NPT female inlet. ASME A112.18.1 / CSA B125.1, NSF 61 - Section 9 and NSF-372. Meets ADA ANSI/ICC A117.1 requirements.

Job Name _____
 Model Specified _____ Quantity _____
 Variations Specified _____
 Date _____



ADA Compliant



Features & Benefits:

- Multi-water laboratory turret w/ polished chrome plated brass body
- 5 5/8" rigid gooseneck w/ serrated tip outlet
- Gooseneck control valve with Eterna compression cartridge
- (2) 180° straight water stops w/ serrated tips and Eterna compression cartridges
- 4-arm handles w/ green cold water indexes
- 1/2" NPT female inlet
- Material: Polished chrome plated brass body & tubular spout, and polished chrome metal handles

Optional Handles

- 4" Wrist Action
- Lever
- 4-Arm (Standard)

Optional Cartridges

- Quarter-Turn Cerama
- Eterna (Standard)
- Quarter-Turn Eterna

Product Compliance:

- ASME A112.18.1 / CSA B125.1
- NSF 61 - Section 9
- NSF 372 (Low Lead Content)
- ANSI A117.1 (ADA)

Warranty: One Year (Limited)

Performance Data:

- Pressure: 20 - 125 psi [1.38 - 8.62 bar]
- Temperature: 40 °F - 140 °F [4.44 °C - 60 °C]
- Flow Rate:
 - Nozzle 4.08 GPM [15.4 L/min] @ 60 psi [4.14 bar]
 - Valve: 4.31 GPM [16.3 L/min] @ 60 psi [4.14 bar]

