



T&S BRASS AND BRONZE WORKS, INC.

2 Saddleback Cove / P.O. Box 1088
Travelers Rest, SC 29690

Model No.

B-7132-U01WS7TC

Item No.

Travelers Rest, SC: 800-476-4103 • Simi Valley, CA: 800-423-0150 • Fax: 864-834-3518 • www.tsbrass.com

This Space for Architect/Engineer Approval

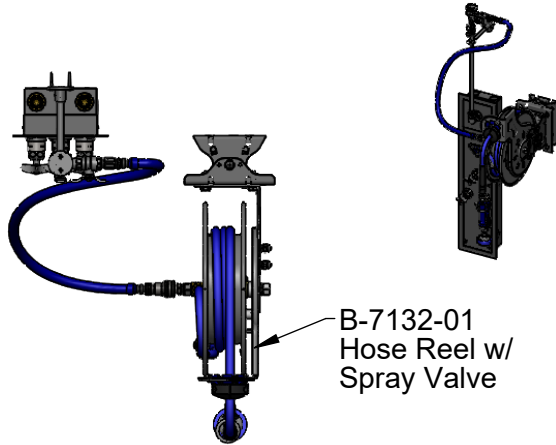
Job Name _____ Date _____

Model Specified _____ Quantity _____

Customer/Wholesaler _____

Contractor _____

Architect/Engineer _____



B-7132-01
Hose Reel w/
Spray Valve

B-0963
Continuous Pressure
Vacuum Breaker w/
Integral Check Valve

3/8" NPT x 36"
Flexible Water
Connector

1/2" NPT
Female
Union Inlets

34"
[864mm]

EasyInstall
3/8" NPT x 18" Riser

Stainless Steel
Quick Disconnect

019652-40
3/8" NPT
Live Swivel

EB-0107
High Flow
Spray Valve

Swivel Elbow w/
Ø 2" [51mm] Flange,
1/2" NPT Female Inlet

4-Arm Handles &
Quarter-Turn Cerama
Cartridges w/ Check Valves

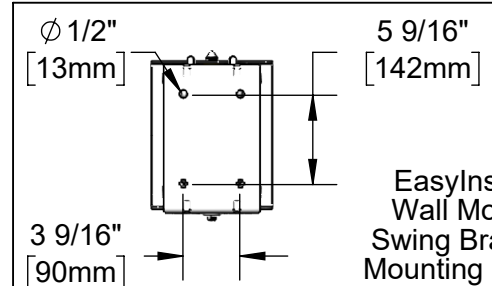
Removeable
Wall Flange

8"
[203mm]

B-0109-01
6" Wall
Bracket

25"
[635mm]

4"
[102mm]



Cabinet Rough-In Requirement:
32" H x 6" W x 4" D

Product Specifications:

Stainless Steel Hose Reel w/ 35' Hose, High Flow Spray Valve w/ Swivel, EasyInstall SS Recessed Hose Reel Cabinet w/ Mixing & Control Valve, 4-Arm Handles & Quarter-Turn Ceramas w/ Check Valves, Dual Check Valves, Inlets for Top Supplies, 100 Deg EasyInstall Stainless Steel Swing Bracket w/ Mounting Hardware & Hose Reel Connector Kit

Product Compliance:

NSF 61 Exempt (Non-Potable)
ASSE 1056 (VB)
2019 DOE PRSV Non-Compliant



T&S BRASS AND BRONZE WORKS, INC.

2 Saddleback Cove / P.O. Box 1088
Travelers Rest, SC 29690

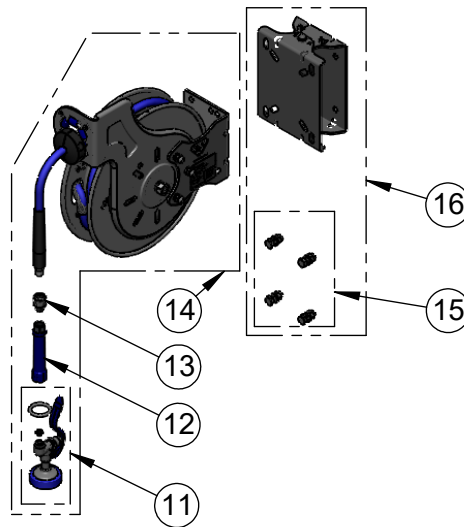
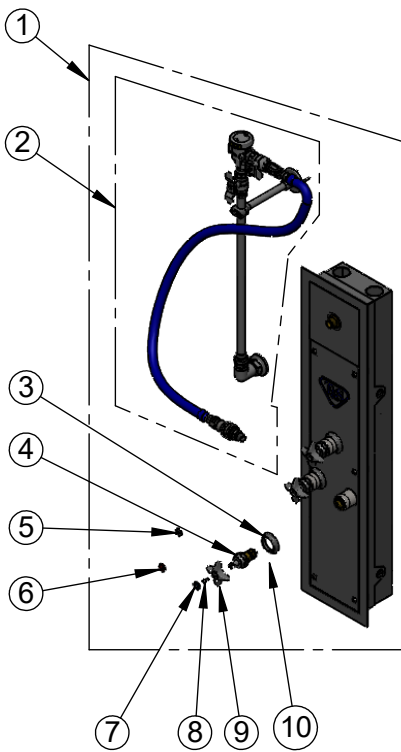
Model No.

B-7132-U01WS7TC

Item No.

Travelers Rest, SC: 800-476-4103 • Simi Valley, CA: 800-423-0150 • Fax: 864-834-3518 • www.tsbrass.com

ITEM NO.	SALES NO.	DESCRIPTION
1	B-1460-RMT-CR	EasyInstall Recessed Hose Reel Cabinet w/ Top Inlets & Ceramas
2	0RK-SK	Hose Reel Connector Kit
3	020839-40	Narrow Slip Flange w/ Set Screw
4	012394-25NS	Quarter-Turn Cerama Cartridge w/ Check Valve, RTC
5	001205-19NS	White Button Index, Press-In
6	001193-19NS	Red Button Index, Press-in
7	018506-19NS	Blue Button Index, Press-in
8	000925-45	Lab Handle Screw
9	002521-45NS	4-Arm Handle (New Style)
10	000939-45	Escutcheon, Set Screw
11	EB-0107	High Flow Spray Valve, Blue
12	012504-40	Grip Handle (Blue)
13	019652-40	3/8" NPT Live Swivel
14	B-7132-01	35' SS Open Hose Reel w/ High Flow Spray Valve
15	019191-45K	Hose Reel Mounting Kit
16	G019430-45	EasyInstall Hose Reel Stainless Steel Swing Bracket



Product Specifications:

Stainless Steel Hose Reel w/ 35' Hose, High Flow Spray Valve w/ Swivel, EasyInstall SS Recessed Hose Reel Cabinet w/ Mixing & Control Valve, 4-Arm Handles & Quarter-Turn Ceramas w/ Check Valves, Dual Check Valves, Inlets for Top Supplies, 100 Deg EasyInstall Stainless Steel Swing Bracket w/ Mounting Hardware & Hose Reel Connector Kit

Product Compliance:

NSF 61 Exempt (Non-Potable)
ASSE 1056 (VB)
2019 DOE PRSV Non-Compliant